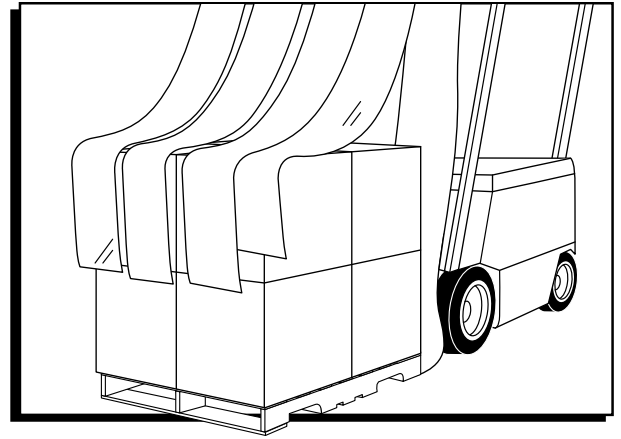


ULINE

**VINYL STRIP
DOOR KIT**

1-800-295-5510

uline.com



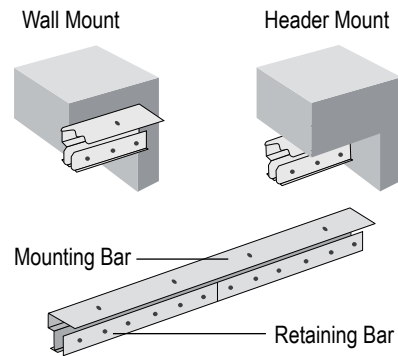
GETTING STARTED

Open all carton(s) and remove all door hardware. Do not remove PVC strips from the carton(s) until ready for installation. All strip doors are shipped complete with the following:

1. Mounting Bars (excluding support anchors)
2. Retaining Bars
3. 1/4" locknuts
4. Individual PVC strips with custom pre-punched holes

MOUNTING PROCEDURES

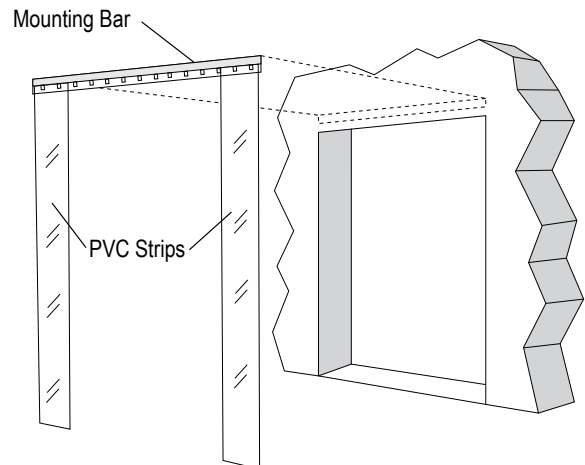
The top edge of this aluminum hardware can be attached 4-3/8" above the edge of the door header directly to the wall or directly to the door header. Attach using conventional anchors.



WALL MOUNT HARDWARE INSTALLATION

Pre-studded aluminum Mounting Bars and Retaining Bars are standard. Depending on the door width, more than one mounting bar might be supplied.

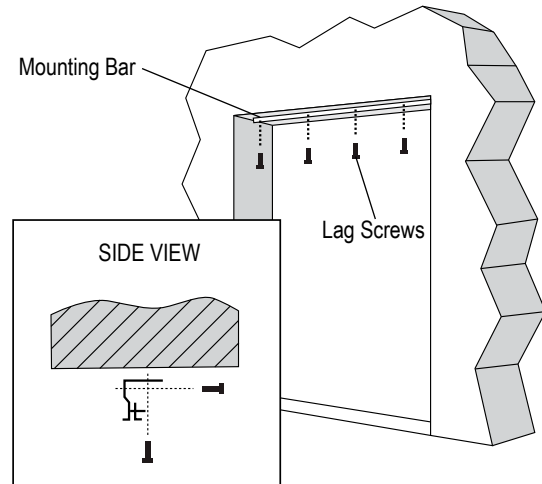
1. Temporarily attach a PVC strip to either end of the Mounting Bar(s).
2. Center and level the bar(s) above the opening so the strips are 1/2" above the floor.
3. Mark Mounting Bar(s) anchor holes and remove the bar.
4. Drill anchor holes and place anchors (not included) into those holes.
5. Take the temporary strips off the Mounting Bar(s) and attach the Bar(s) with lag screws (not included).



HEADER MOUNT HARDWARE INSTALLATION

Pre-studded aluminum Mounting Bars and Retaining Bars are standard. Depending on the door width, more than one mounting bar might be supplied.

1. Center the Mounting Bar(s) on the underside of the door header. Mark the mounting holes.
2. Remove the Bar(s) and drill the mounting holes. If the door header is concrete or a similar material, drill anchor holes.
3. Attach the Mounting Bar(s) with lag screws (not included). If anchors are required, place anchors (not included) in each hole and attach the Mounting Bar(s) with lag screws (not included).

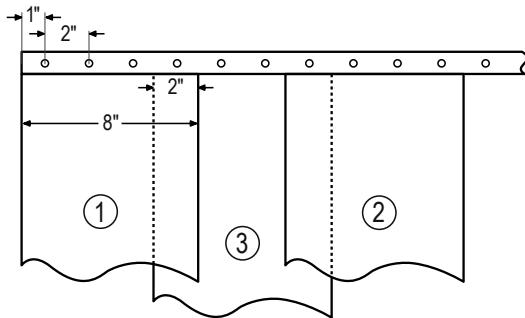


OVERLAP CONFIGURATIONS

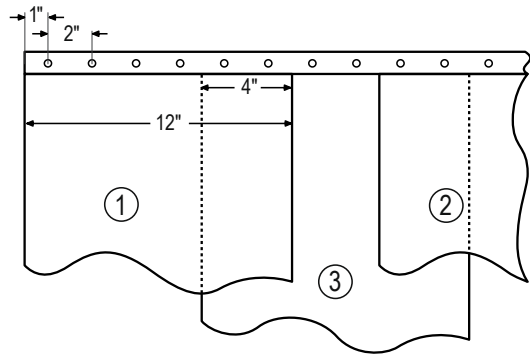
VERTICAL VIEW



8" WIDE STRIPS, 50% OVERLAP



12" WIDE STRIPS, 67% OVERLAP



1. Hang the first strip to the far left (See Strips 1 and 2). Repeat placing strips all the way to the right.
2. Center the remaining strips over the gaps (See Strip 3).
3. Place retaining bars over the studs and attach lock-nuts and tighten.