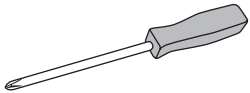


ULINE H-1229

JUMBO STORAGE SHED

1-800-295-5510
uline.com

TOOLS NEEDED



Phillips Screwdriver

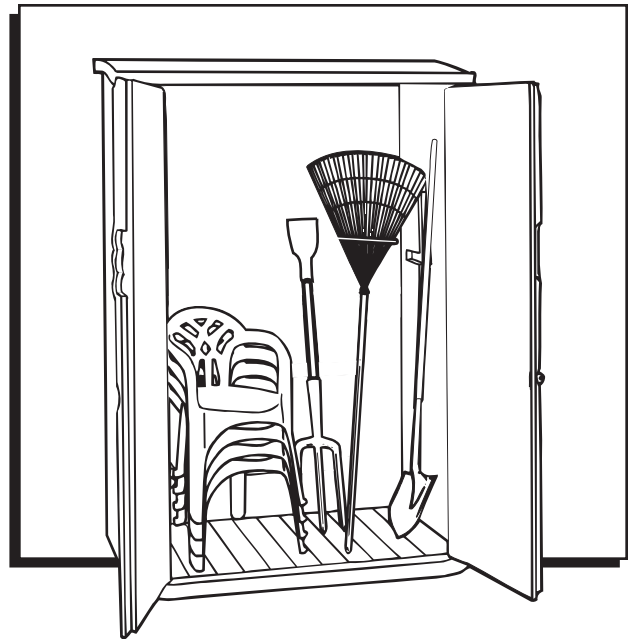
or



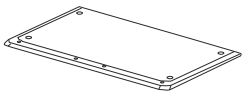
Electric Drill
with Phillips Bit



Safety Glasses



PARTS



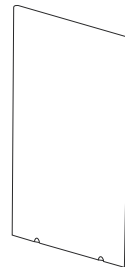
Floor Panel (A) x 1



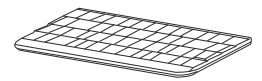
Left Side Panel (B) x 1



Right Side Panel (C) x 1



Back Panel (D) x 1



Roof Panel (E) x 1



Header (F) x 1



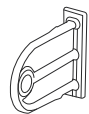
Left Door Panel (G) x 1



Right Door Panel (H) x 1



Door Handle x 2



Lock Hasp x 1



#14 x .75 Screw x 32

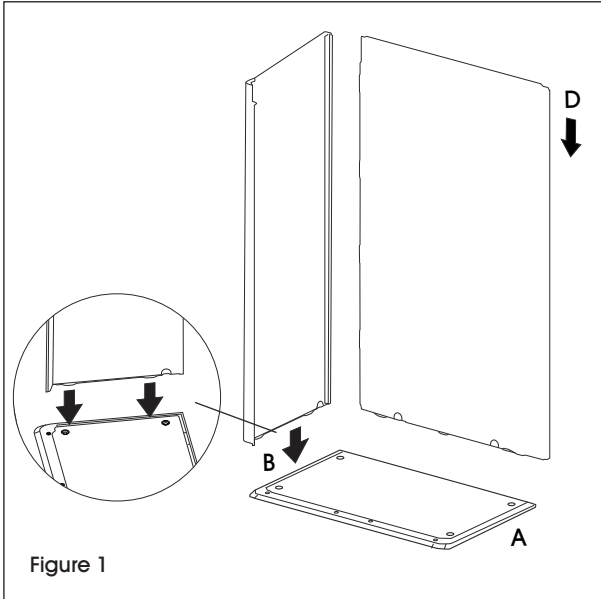


NOTE: Check that all parts are included in packaging. Select a site with level ground and good drainage. The doors and roof function best when the shed is level.

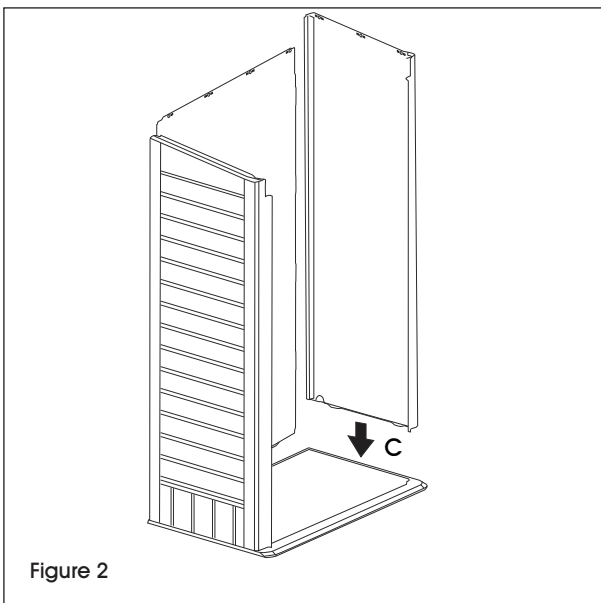
ASSEMBLY INSTRUCTIONS

Step 1:

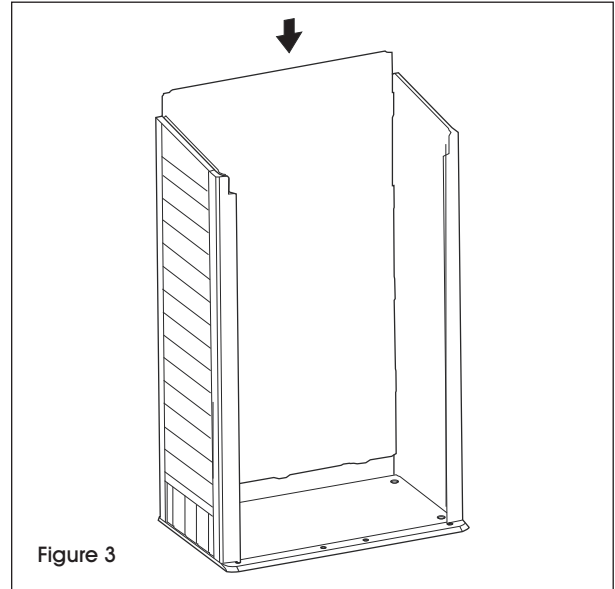
- Snap left side panel (B) into floor panel (A). (See Figure 1)



- Position back panel (D) but DO NOT SNAP INTO BASE.
- Interlock back panel (D) into left side panel (B).
- Snap right side panel (C) into floor panel (A). (See Figure 2)
- Interlock back panel (D) into left side panel (C).

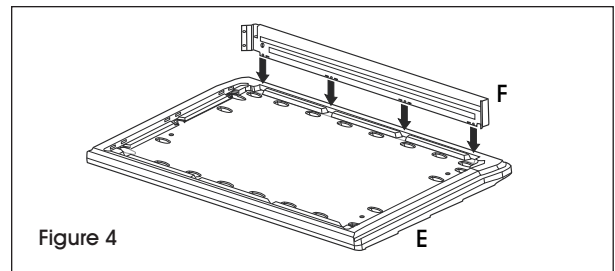


- With back panel interlock with grooves on side panels, slide down and snap into floor panel. (See Figure 3)

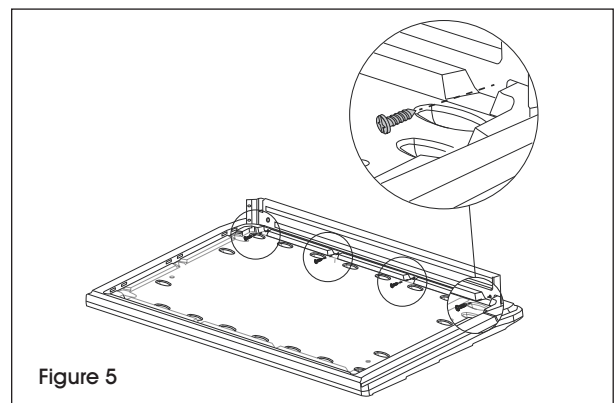


Step 2:

- Insert header (F) into underside of roof panel (E). (See Figure 4)



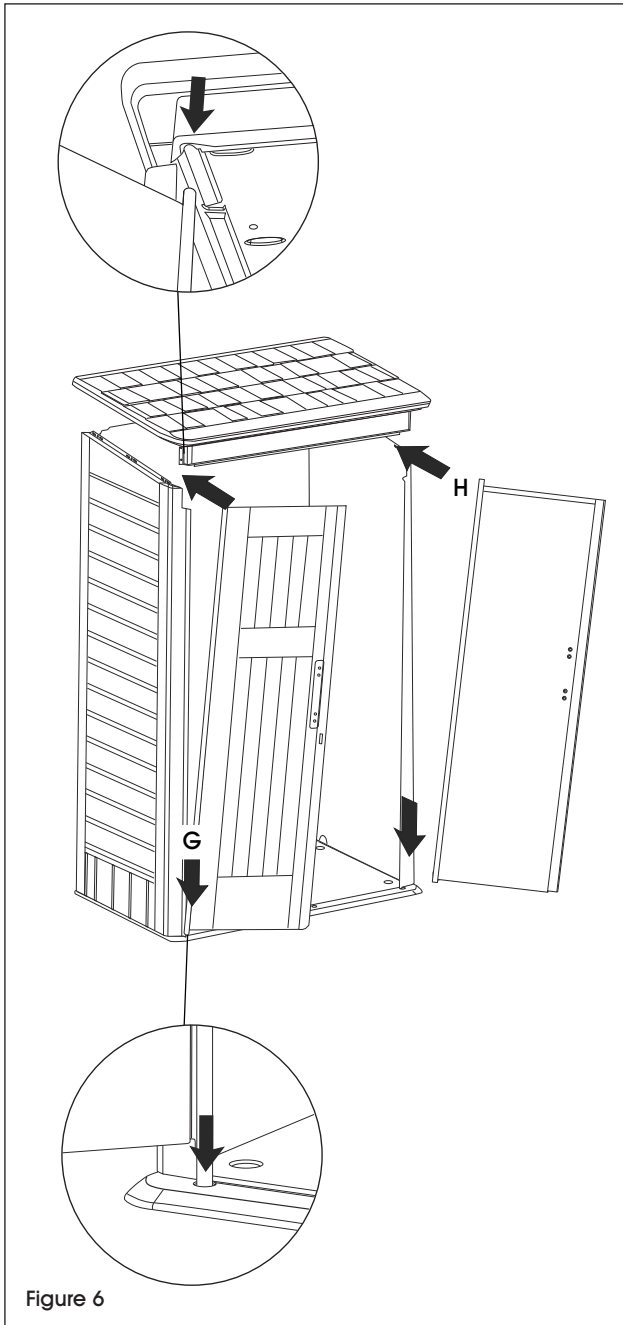
- Use 4 screws to secure header to roof panel. DO NOT OVERTIGHTEN SCREWS. (See Figure 5)



ASSEMBLY INSTRUCTIONS CONTINUED

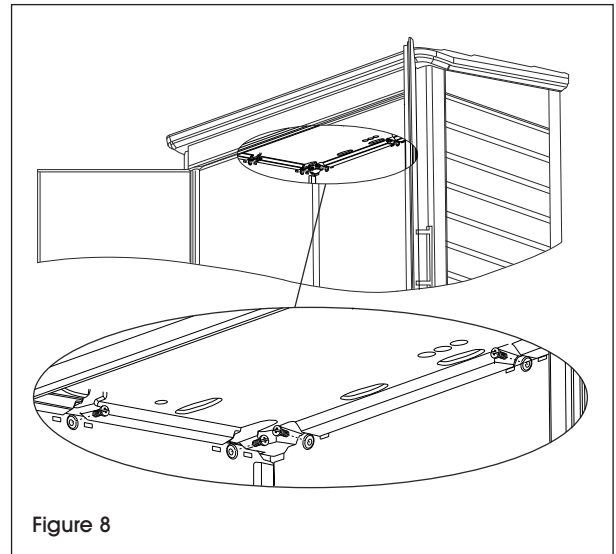
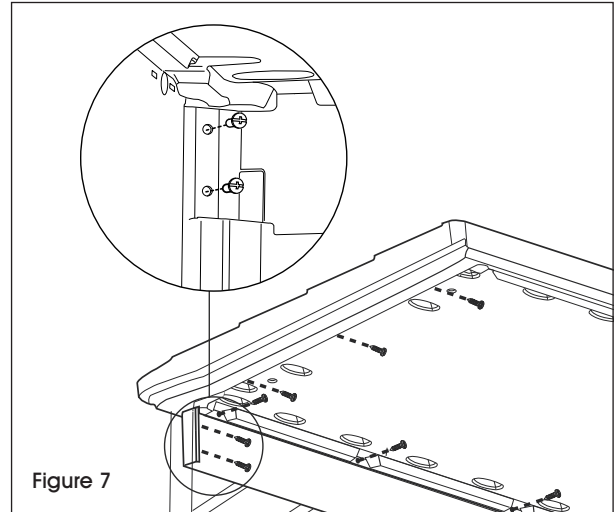
Step 3:

- Position roof assembly on top of shed walls. (See Figure 6)
- Position the bottom hinge pin of left door panel (G) into left hole on floor panel. (See Figure 6)
- Lift roof slightly on left side and insert left door panel (G) top hinge pin into hole on roof panel. (See Figure 6)
- Repeat with right door panel (H). (See Figure 6)



Step 4:

- Secure roof assembly to side panels by inserting 4 screws into dimples on the interior header (See Figure 7) and 10 screws into the dimples around the interior roof perimeter. (See Figure 8)



ASSEMBLY INSTRUCTIONS CONTINUED

Step 4 Continued:

- Secure side and back panels to the floor panel using 6 screws in the dimples along the bottom interior. (See Figure 9)

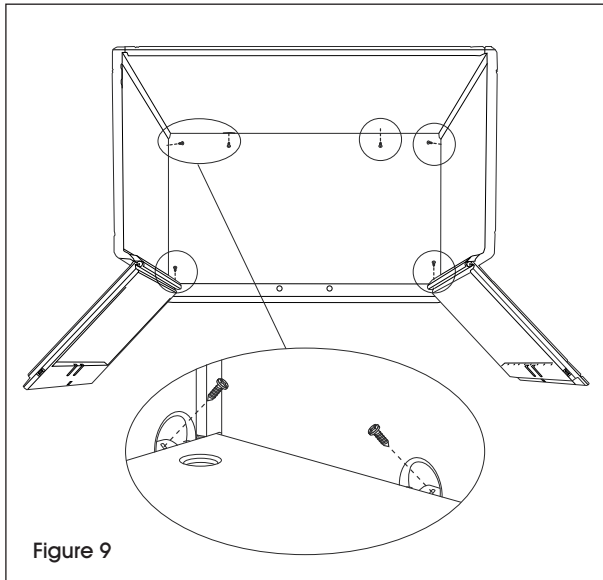


Figure 9

Step 5:

- Attach each door handle using 4 screws. (See Figure 10)
- Snap lock hasp through the back of the left door. (See Figure 10)

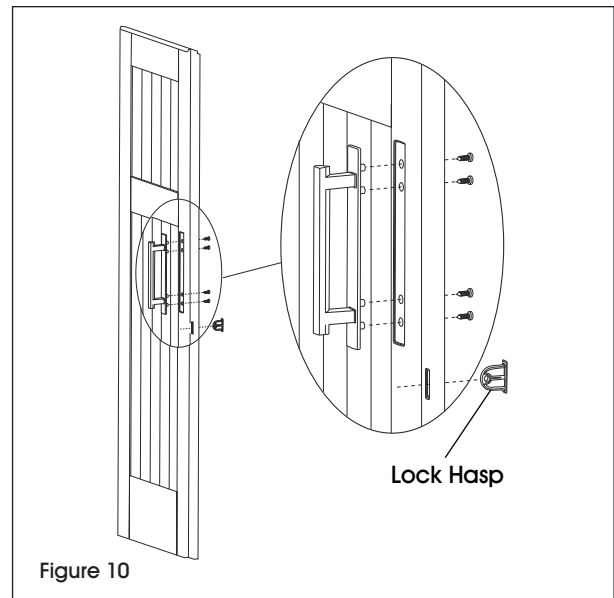


Figure 10



NOTE: Shed can be locked using Uline padlocks. (Model Number H-1391, H-1392, H-1632, H-2061, H-2491, or H-2492.)

CARE INSTRUCTIONS

- Periodically inspect the shed to ensure proper assembly is maintained and site remains level.
- Clean shed using a garden hose or wash with a mild detergent and water.
- The shed can be anchored to the ground or a platform by drilling holes in the floor at designated locations and securing with the proper fasteners (not included).



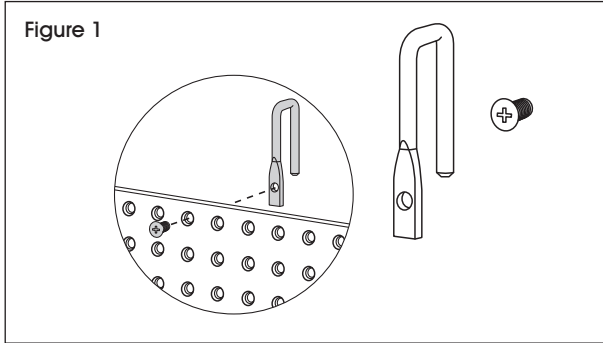
CAUTION! Do not clean with a stiff brush or abrasive cleaner. Wear safety glasses and follow the manufacturer's instructions when using power tools. Do not store hot yard equipment, grills, or other hot materials in the shed.

OPTIONAL PEGBOARD INSTALLATION INSTRUCTIONS



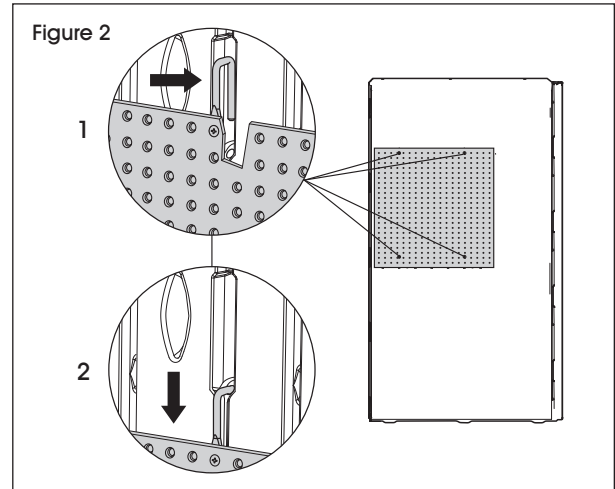
WARNING! Do not exceed 50 lbs. on any one given wall in the shed structure.

1. Attach 2 wall anchors no more than 6 inches from the top of the peg board using provided screws. (See Figure 1)



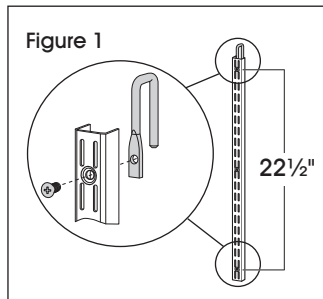
2. Ensure the anchors are the same distance apart as the wall slots in the shed. (See Figure 2)

3. Attach 2 more wall anchors to the pegboard vertically in line with and 22" below the top anchors using provided screws. (See Figure 2)
4. Hang the peg board by sliding the wall anchors into the wall slots on the shed. (See Figure 2)



OPTIONAL ADJUSTABLE SHELF INSTALLATION INSTRUCTIONS

1. Attach 2 wall anchors to each shelf upright 22½" inches apart using provided screws. (See Figure 1)
2. Slide the wall anchors on the shelf uprights into wall slots on the shed. (See Figure 2)



3. Insert shelf supports in the desired locations on the shelf uprights and lay shelf into position. (See Figure 3)

