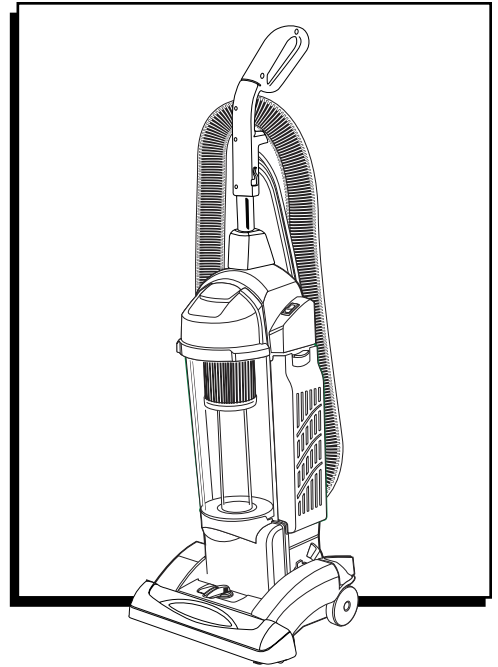


**ULINE H-2665**  
**SANITAIRE®**  
**BAGLESS VACUUM**

1-800-295-5510  
uline.com



## SAFETY



**NOTE:** When using an electrical appliance, basic precautions should always be followed, including the following: **READ ALL INSTRUCTIONS BEFORE USING THIS VACUUM CLEANER.**



**WARNING!** To reduce the risk of fire, electric shock, or injury:

- Do not use outdoors or on wet surfaces.
- Do not leave vacuum cleaner unattended when plugged in. Turn off the switch and unplug the electrical cord when not in use and before servicing.
- Do not allow to be used as a toy. Close attention is necessary when used by or near children.
- Use only as described in this manual. Use only manufacturer's recommended attachments.
- Do not use with damaged cord or plug. If vacuum cleaner is not working as it should, has been dropped, damaged, left outdoors, or dropped into water, return it to a service center before using.
- Do not pull or carry by cord, use cord as a handle, close a door on cord, or pull cord around sharp edges or corners. Do not run vacuum cleaner over cord. Keep cord away from heated surfaces.
- Do not use extension cords or outlets with inadequate current carrying capacity.
- Turn off all controls before unplugging.
- Do not unplug by pulling on cord. To unplug, grasp the plug, not the cord.
- Do not handle plug or vacuum cleaner with wet hands.
- Do not put any object into openings. Do not use with any opening blocked; keep free of dust, lint, hair, and anything that may reduce airflow.
- This vacuum cleaner creates suction and contains a revolving brush roll. Keep hair, loose clothing, fingers, and all parts of body away from openings and moving parts.
- Do not place cleaner on furniture or stairs as the brush roll may cause damage. Place cleaner on floor with the handle in storage position while using attachments.
- Do not pick up anything that is burning or smoking, such as cigarettes, matches, or hot ashes.
- Do not use without dust cup or filter(s) in place.
- Belt pulleys can become hot during normal use. To prevent burns, avoid touching the belt pulley when servicing the drive belt.
- Use extra care when cleaning on stairs.
- Do not use to pick up flammable or combustible liquids such as gasoline, or use in areas where they may be present.
- Store your cleaner indoors in a cool, dry area.
- Keep your work area well lit.
- Unplug electrical appliances before vacuuming them.
- This appliance is provided with double insulation. Use only identical replacement parts. See the following instructions for servicing of double-insulated appliances.

## SAFETY CONTINUED

### SERVICING OF DOUBLE-INSULATED APPLIANCES

A double-insulated appliance is marked with one or more of the following: The words "DOUBLE INSULATION" or "DOUBLE INSULATED" or the double insulation symbol (square within a square).



In a double-insulated appliance, two systems of insulation are provided instead of grounding. No grounding means is provided on a double-insulated appliance, nor should a means for grounding be added to the appliance. Servicing a double-insulated appliance requires extreme care and knowledge of the system, and should be done only by qualified service personnel. Replacement parts for a double insulated appliance must be identical to the parts they replace.



**CAUTION!** Do not oil the motor or the brush roll. The motor and brush roll are permanently sealed and lubricated.

### THERMAL CUT OFF

This vacuum cleaner has a special thermostat that protects the cleaner in case of motor overheating. If the cleaner suddenly shuts off, push the ON/OFF switch OFF (0) and unplug the cleaner. Check the cleaner for a possible source of overheating such as a full dust cup, a blocked hose or clogged filter. If these conditions are found, fix them and wait at least 30 minutes before attempting to use the cleaner. After the 30 minute period, plug the cleaner back in and push the ON/OFF switch ON (I). If the cleaner still does not run, then call for repair.

## ASSEMBLY



**CAUTION!** Assemble the cleaner before using. Moving parts, make sure ON/OFF switch is in OFF (0) position before plugging in.

### ATTACH HANDLE

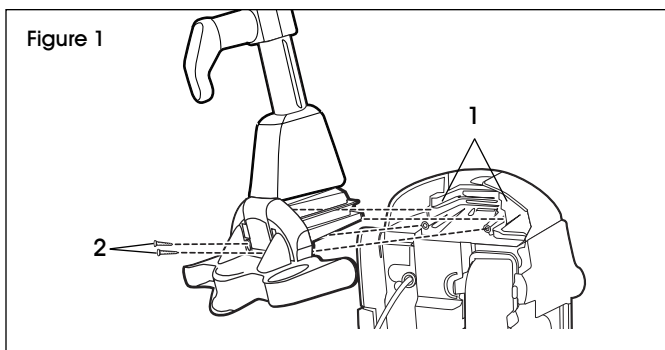


**CAUTION!** Do not catch cord under handle.

1. From rear of cleaner, align handle with groove (1) and slide onto cleaner. If necessary, use thumb and finger pressure to slide handle into position. (See Figure 1)
2. Attach handle with the two 1 inch screws (2) provided in the assembly packet. Use a Phillips® head screwdriver. (See Figure 1)

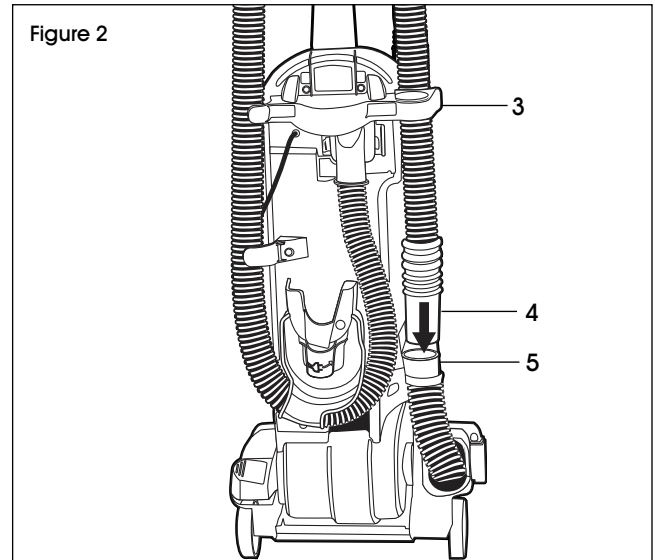


**NOTE:** Hand tighten with screwdriver to be sure both screws are firmly seated.



### ATTACH HOSE

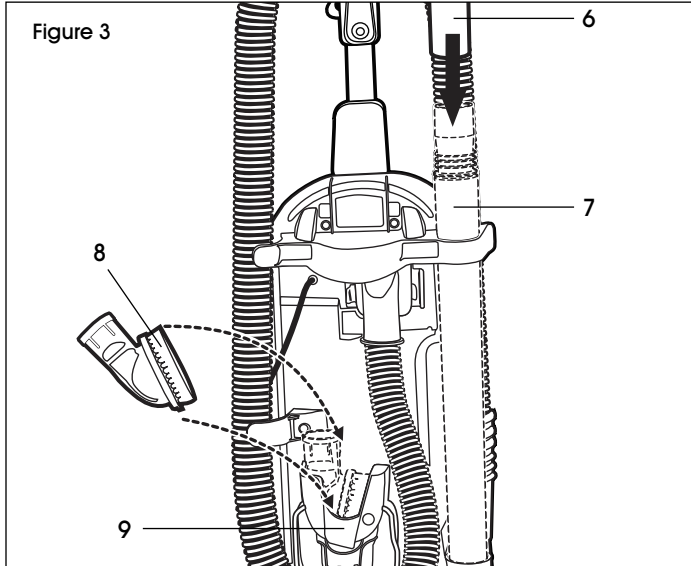
1. Pick up hose and lay across upper hose retainer (3). (See Figure 2)
2. Push the end of the hose (4) in the lower hose retainer (5) to secure. (See Figure 2)



# ASSEMBLY CONTINUED

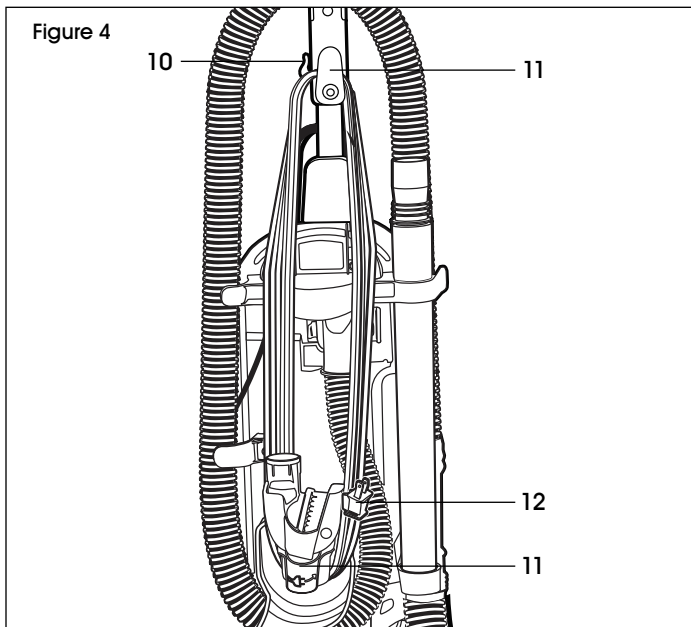
## STORE HOSE AND ACCESSORIES

1. The crevice wand (6) stores inside the larger wand (7) on the back of the vacuum. The dusting brush (8) stores in the dusting brush holder (9) on the back of the vacuum. (See Figure 3)



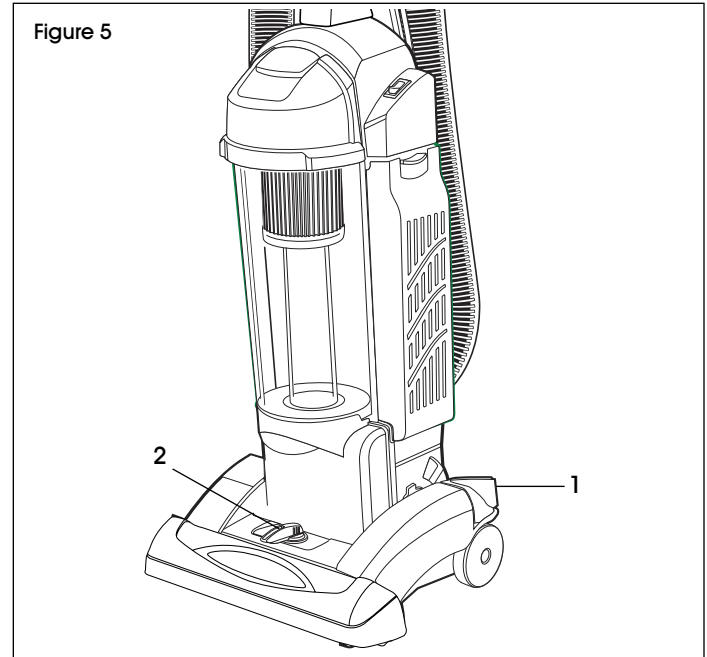
## STORE ELECTRICAL CORD

1. The cord retainer (10) can be found on the handle above the upper cord hook (11). Firmly push the electrical cord down into the cord retainer. This will place the cord out of the way the next time you vacuum. (See Figure 4)
2. Next wind the cord around the two cord hooks (11) on the back side of cleaner. (See Figure 4)
3. Secure the plug (12) to the cord to prevent unwinding. (See Figure 4)



## USE AND MAINTENANCE

1. Step on handle release (1) to pull handle back to a comfortable operating position. To lower handle completely to the floor, depress handle release a second time. (See Figure 5)
2. Cleaner height setting (2) is an adjustment that raises or lowers the cleaner base to match the type of floor surface. With the cleaner cord unplugged, set the adjustment to highest setting. (See Figure 5)



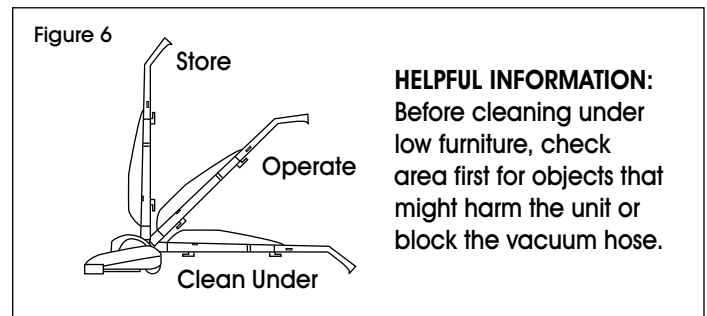
3. Turn machine on and lower handle to operating position. Then lower height setting one notch at a time until you hear brushes touching floor. This should be a noticeable sound change. If the cleaner is difficult to push, move adjustment to next highest setting until cleaner is comfortable to push. For ease in moving the adjustment knob, place handle in operating position and tilt cleaner back to remove weight from front wheels. (See Figure 6)



**NOTE:** The brush roll must reach carpet for effective cleaning.



**NOTE:** Setting vacuum height too low could cause premature wear on belts, brushes and motor.

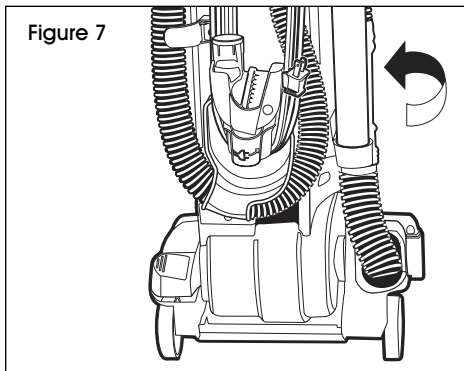


**HELPFUL INFORMATION:**  
Before cleaning under low furniture, check area first for objects that might harm the unit or block the vacuum hose.

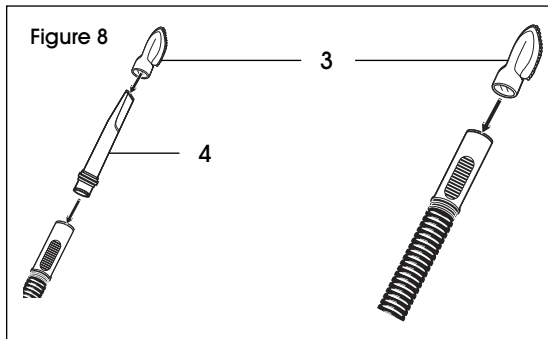
# USE AND MAINTENANCE

## ACCESSORIES

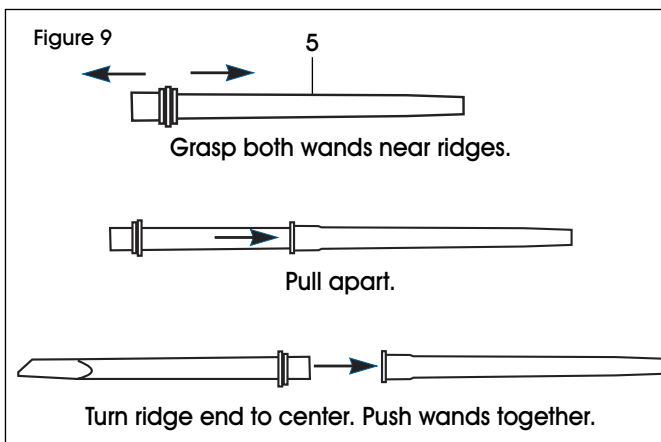
1. To use accessories remove hose from rear of cleaner by lifting up and twisting. (See Figure 7)




2. Place desired accessory onto end of hose or wand. Dusting/upholstery brush (3) is for furniture, blinds, books, lamp shades, shelves, curtains, draperies, cushions and fabrics. Crevice wand (4) cleans corners, stairs, baseboards, and between cushions. (See Figure 8)




3. Nested extension wands (5) are to add reach. (See Figure 9)



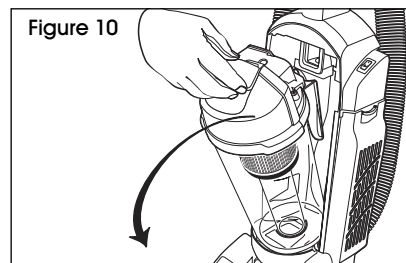
These instructions serve as a guide to routine maintenance. To avoid unnecessary service calls, check the dust cup, filters, belt, and brush roll often. Empty the dust cup after every use.

 **NOTE:** When vacuuming carpet fresheners or cleaners, powder, plaster dust, or similar fine substances, the dust cup and filters will require more frequent maintenance.

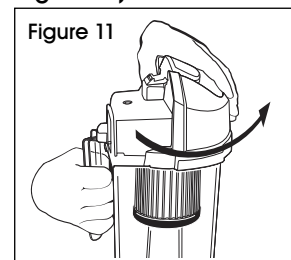
 **NOTE:** Turn off the switch and unplug the electrical cord before changing the filter. Never operate the vacuum cleaner without the dust cup or filter assembly in place.

## EMPTYING THE DUST CUP

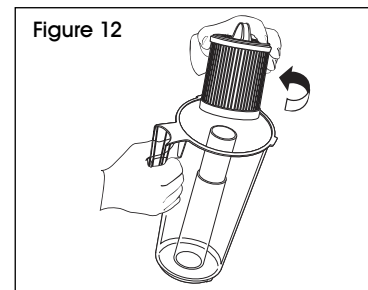
1. Remove dust cup by pulling latch upward and pivoting dust cup out and away from cleaner. (See Figure 10)



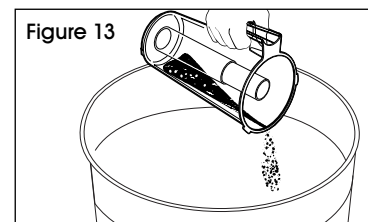
2. Grasp dust cup lid and twist counterclockwise to remove. (See Figure 11)



3. Lift filter up and out of dust cup with a twisting motion. (See Figure 12)



4. Dump debris in a waste container. (See Figure 13)



Check and clean the filter frequently to maintain good performance.

# MAINTENANCE


## INSTRUCTIONS TO CLEAN OR CHANGE DUST CUP FILTER

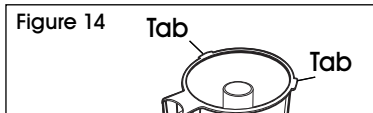
1. To remove debris, tap filter against waste container and/or brush with dusting brush accessory tool. You may also vacuum the filter using a different cleaner.
2. If filter needs further cleaning, wash in warm water using a mild detergent. To clean between filter pleats, fan open under running water.
3. If dust cup needs cleaning, wash in warm water using a mild detergent. Do not submerge dust cup lid, wipe only with a damp cloth.
4. When all parts are completely dry, replace filter in dust cup and replace lid.

 **NOTE:** These parts are not dishwasher safe.

 **NOTE:** Your dust cup filter may need to be replaced if cleaning it does not restore cleaning performance.

## REINSTALLING THE DUST CUP

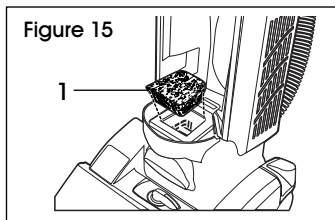
1. Replace filter onto center tube in dust cup applying gentle pressure.
2. Line up tabs on dust cup with openings on lid, rotate lid clockwise while applying pressure to secure. The lock symbol () on lid will be centered over dust cup handle when properly assembled. (See Figure 14)



3. To replace dust cup, position dust cup with handle facing inside the dust cup compartment; place bottom of dust cup in bottom of compartment and rotate upward, pushing dust cup against cleaner until it locks into place.

## PRE-MOTOR FILTER

Check the pre-motor filter (1) each time the dust cup is emptied. Clean or replace as needed. (See Figure 15)



## TO CLEAN PRE-MOTOR FILTER

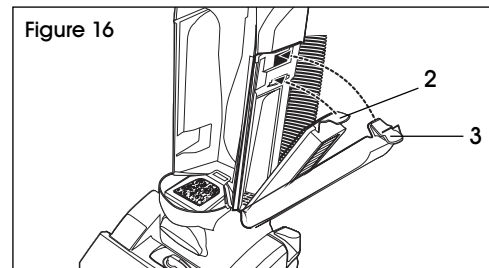
1. Remove filter centered in the bottom of the dust cup compartment.
2. Shake filter to remove excess dust. If necessary, the filter can be cleaned by vacuuming with another cleaner or washing with mild detergent.
3. Reinstall filter after completely dry.

## CARTRIDGE FILTER

Check the true HEPA filter each time dust cup is emptied. Replace twice a year or as needed.

## TO REMOVE TRUE HEPA CARTRIDGE FILTER


1. Push down on filter door latch (3) and pull door away from cleaner. (See Figure 15)
2. Push down on HEPA cartridge latch and remove filter (2). (See Figure 16)



## HOW TO CLEAN FILTER

1. Remove from cleaner.
2. To remove debris, tap filter against waste container or brush off. You may also vacuum the filter using a different cleaner. If filter needs further cleaning, wash in warm water using a mild detergent. To clean between filter pleats, fan open under running water.

 **NOTE:** Do not put any parts in a dishwasher.

 **NOTE:** Your washable filter may need to be replaced if cleaning it does not restore cleaning performance.

## TO REPLACE TRUE HEPA CARTRIDGE FILTER

1. Place bottom tabs of filter cartridge into slots. Rotate filter toward cleaner, press firmly against cleaner to latch. Make sure true HEPA cartridge latch is secured on both sides.
2. Replace filter door by placing tabs of door into slots on cleaner. Rotate door up and against cleaner until it locks into place.


# MAINTENANCE CONTINUED

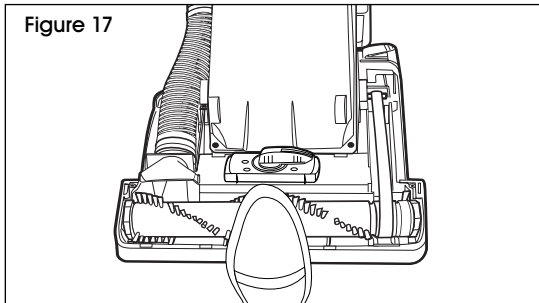
## BRUSH ROLL

The brush roll turns as it sweeps and combs the carpet nap. Remove hair and threads from the brush roll so it continues brushing the carpet. To maintain the most efficient cleaning, the bristles must touch the carpet. To test the bristle length, hold a ruler against the underneath side of the cleaner. If the bristles no longer touch the ruler, replace the brush roll.


## BRUSH ROLL BELT, STYLE U

The brush roll belt turns the brush roll to agitate, sweep, and comb the carpet nap. Check the belt regularly to be sure it is in good condition. Replace the belt if it stretches, cracks or loses tension. Cut away any hair or threads wound around the brush roll or the belt pulley because the buildup could cause the belt to rotate unevenly.


 **NOTE:** To check the belt, while the unit is turned on turn the unit upside down and apply pressure with foot to the brushroll. If the brushroll stops replace the belt. (See Figure 17)

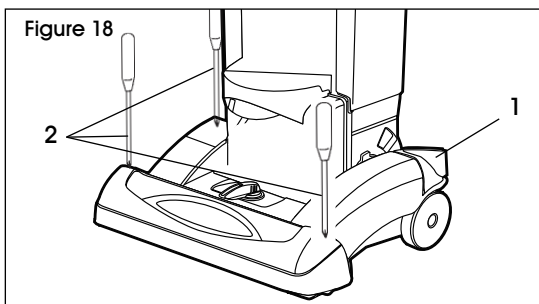


## HOW TO REPLACE BRUSH ROLL BELT

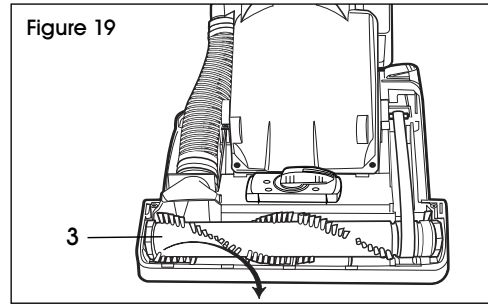
 **NOTE:** Turn off the switch and unplug the electrical cord before replacing belt. Belt pulleys can become hot during normal use. To prevent injury, avoid touching the motor shaft when changing the belt.

1. Using the handle release pedal, lower handle to floor to change belt (1). (See Figure 18)
2. Remove three screws indicated by screwdrivers (2). Lift hood to remove. (See Figure 18)

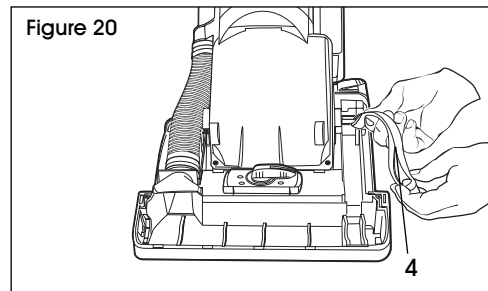
 **NOTE:** The carpet height adjustment has to be in the lowest or highest position to remove or reinstall the hood.



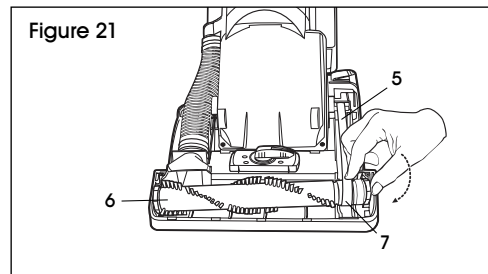
3. Lift left end of brush roll (3). Remove and discard old brush roll if necessary. (See Figure 19)



4. Place new brush roll belt (4) around motor shaft. (See Figure 20)

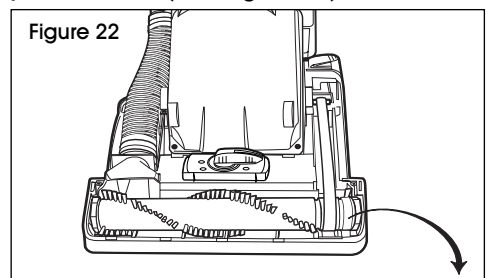


5. Place belt around brush roll pulley (5). (See Figure 21)
6. Align left end cap with base (6). Push end cap securely into place. (See Figure 21)
7. Push right end cap (7) into base until it snaps into place. (See Figure 21)



## IMPORTANT

8. Rotate brush roll by hand two full rotations to properly position belt. (See Figure 22)



9. Place hood back on cleaner. Make sure hood front is behind furniture guard. Replace three screws.
10. Tighten screws.

## ROUTINE MAINTENANCE

### DAILY

1. **Dirt Cup** – Before each use, check the dirt cup and empty if needed.
2. **Belt Condition** – Check the belt for signs of wear. Change the belt when it is loose or has cuts or cracks. Refer to the diagram on the underside of the base for proper installation of belt and brushroll.
3. **Supply Cord and Plug** – Check supply cord and plug for any cuts or damage. If damaged, have the supply cord and plug assembly replaced by the Uline Repairs team.
4. **Motor** – If there are unusual sounds or if poor performance occurs, the motor should be inspected immediately by the Uline Repairs team.

### WEEKLY

1. **Dirt Cup** – Inspect the dirt cup for any unusual wear. Replace any defective parts.
2. **Brushroll Bristle Strips** – Check the bristles for wear once a week. The bristle strips should be replaced when the bristles are less than 1/4 inch in length.


3. **Brush Roll Condition** – Check for and remove any loose material, such as string or hair wrapped around the brushroll.
4. **Filters** – Check the washable, reusable filters for clogs and clean or rinse as needed. There are 3 filters on this vacuum (dust cup, pre-motor and HEPA filter).

### MONTHLY

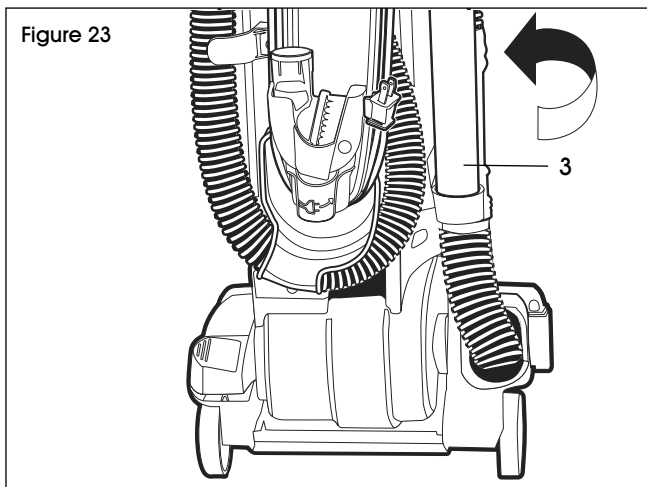
1. **Cleaning** – Inspect and clean the vacuum, including the fan chamber and under the hood.
2. **Electrical** – Inspect the cord assembly for wear and check for proper handle assembly.
3. **Handle** – Check the handle assembly for tightness and replace handle bolts if missing.
4. **Motor** – The Uline Repairs team should make a routine check of the motor every 6 months. Inspect the motor immediately if there are any unusual sounds or if poor performance occurs.
5. **Filters** – Check the washable, reusable filters for clogs and clean or rinse as needed. If the filters are still dirty after cleaning or vacuum does not have good suction, the filter(s) may need to be replaced.

## PROBLEM SOLVING

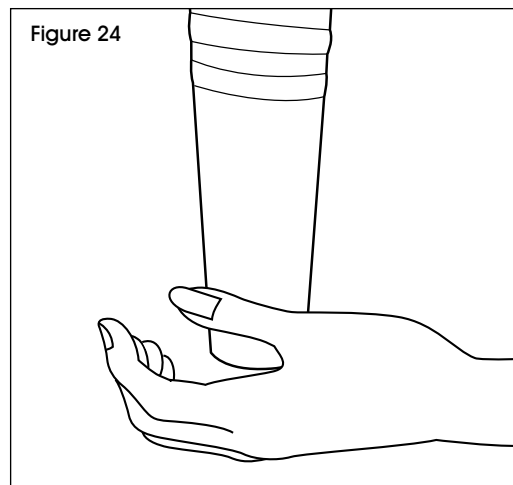
### TO CLEAR BLOCKAGES IN HOSE

 **NOTE:** Turn off the switch and unplug the electrical cord before clearing hose.

1. Locate lower hose adapter (3) on the back of the cleaner. (See Figure 23)



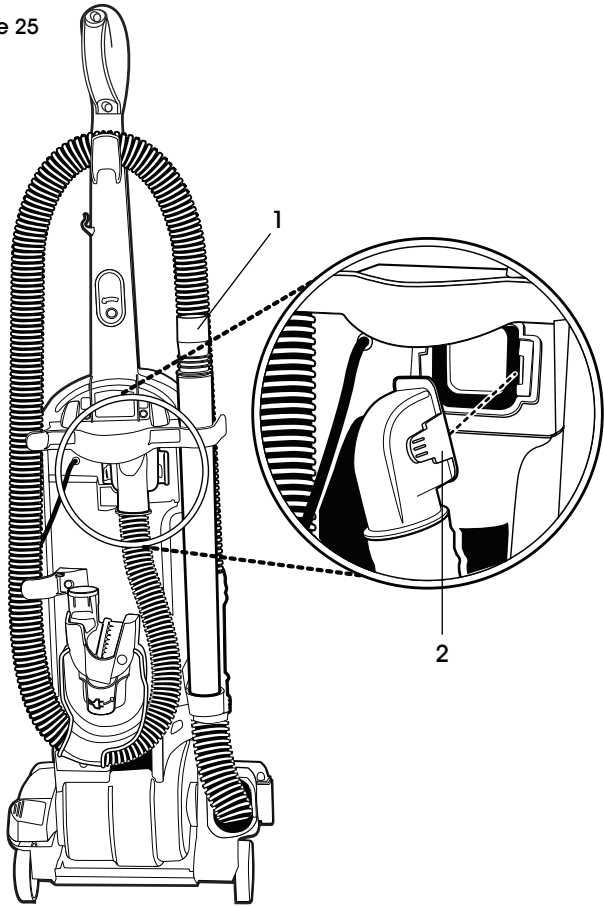
2. Remove lower hose adapter from rear of cleaner by lifting up and twisting.
3. Check for blockages in the upper hose by applying your hand to the end of the hose while vacuum is running. If there is no suction at your hand, and filters are clean, then the upper hose is probably clogged. Flexing the hose may help loosen any blockage. If no blockage is found, continue to Step 8. If blockage is found, clear and continue to Step 11. (See Figure 24)



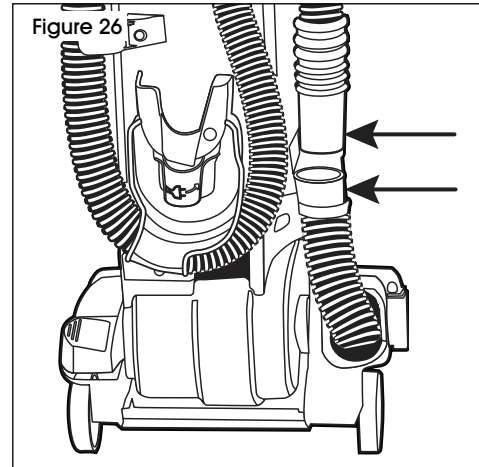
## PROBLEM SOLVING CONTINUED

4. To clear a clog from upper hose, locate upper hose adapter on the back of cleaner.
5. Remove nested wands (1) from back of cleaner for easy access to hose adapter tabs. (See Figure 25)
6. Remove the two screws to the hose retainer and remove entire hose from the vacuum.

Figure 25

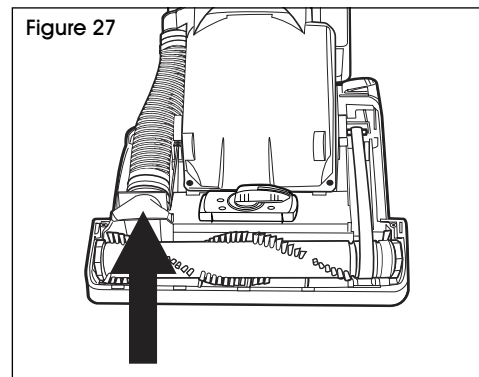


7. Check for blockages in lower hose by dropping a quarter through the opening of the lower hose. If the quarter does not drop through and exit through brush roll opening on bottom, then lower hose is clogged. (See Figure 26)



8. If clogged, clean out using a clothes hanger. Be careful not to puncture the hose.
9. Remove hood from cleaner and check for a blockage in brush roll area. Make sure the hose inlet is clear.
10. After blockage is found and cleared, replace the hood on the cleaner.
11. Place lower hose adapter back into the base hose.
12. Install the upper hose adapter onto the back of the cleaner, line it up with the cleaner opening and push it against the cleaner until both tabs lock into place. (See Figure 27)

Figure 27





# TROUBLESHOOTING

OPERATING ISSUE	RECOMMENDATIONS
Motor will not start.	<p>Push plug securely into outlet.</p> <p>Try another outlet.</p> <p>Check circuit breaker.</p>
Motor suddenly stops.	<p>Thermal cut off, see Page 2.</p>
Does not clean the carpet or floor.	<p>Clean or replace the filters: <b>Hint:</b> If picking up fine dust, the filters may not look dirty, but a fine substance tends to reduce suction when it blocks the airflow through the filters.</p> <p>Be sure the dust cup is properly seated into the cleaner body. Page 4.</p> <p>Empty dust cup. Page 4.</p> <p>Be sure hose adapter is secure on back of cleaner. Page 7.</p> <p>Check base hose and long hose. Page 7.</p> <p>Replace a broken, cut, loose or out of shape belt. See Page 6 for how to tell if belt needs to be replaced.</p> <p>Clean hair and thread from bristles and end cap area.</p> <p>Replace brush roll if bristles are worn.</p> <p>Be sure that vacuum is set to correct carpet height setting. Page 3.</p>
No suction at the end of hose.	<p>Be sure hose adapter is secure. Page 7.</p> <p>Clean or replace filters. <b>Hint:</b> If picking up fine dust, the filters may not look dirty, but a fine substance tends to reduce suction when it blocks the airflow through the filters.</p> <p>Remove any clogs from the hose that restrict the airflow. Check base hose and long hose. Page 7.</p> <p>Empty dust cup. Page 4.</p>
Noise from brush roll area.	<p>Remove hood and clean debris or items from the brush roll area.</p> <p>Replace a broken, cut, loose or out of shape belt. Page 6.</p>
Cleaner is hard to push.	<p>Put handle in operating position. Tilt the cleaner back to raise the front wheels off floor. Then turn the knob to a higher setting.</p> <p>Replace a broken, cut loose or out of shape belt. Page 6.</p>
Cleaner height knob will not turn.	<p><b>Hint:</b> Put handle in operating position. Tilt the cleaner back to raise the front wheels off floor. Then turn the knob.</p>
Dust cup will not go into cleaner properly.	<p>Filter has to be installed in dust cup or dust cup will not go into cleaner.</p>
Hood will not come off.	<p>Hood cannot be removed from cleaner unless the cleaner height setting is in the lowest or highest position.</p> <p>All three screws must be removed from the top of the hood. Page 6.</p>