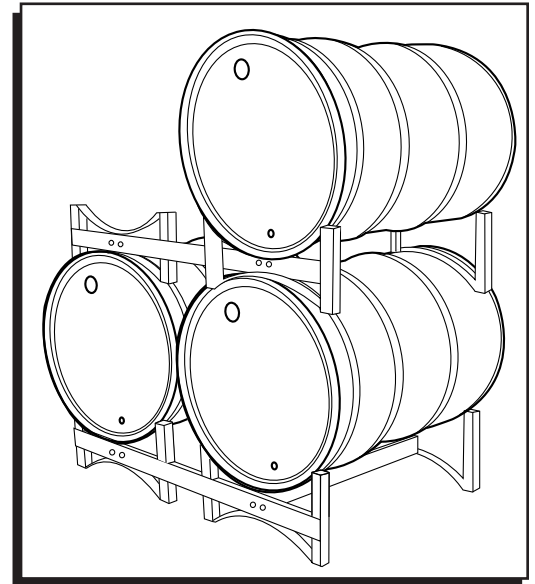
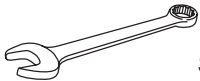


# ULINE H-2763, H-2764 STACKABLE DRUM RACKS

1-800-295-5510  
uline.com



## TOOLS NEEDED



3/4" Wrench (2)



**IMPORTANT!** Read all instructions before using these drum storage racks.

## SAFETY INFORMATION



**NOTE:** The H-2763 and H-2764 are intended for use with the most currently available 55 gallon steel drums. Minimum recommended drum wall thickness for the bottom layer of drums on a 3 high stack is 20 gauge. On a 4 high stack it is 18 gauge. Use of drums with walls that are too thin may not be safe. If you are not sure of the specifications of your drums, check with your supplier(s). Make sure all drums are in good condition.



**WARNING!** To reduce the risk of accident or injury: Be sure to stack racks only on fully loaded racks. Never stack onto a rack containing only one drum.

- The H-2763 and H-2764 are not to be used with plastic drums.
- Only move racks singly or stacked 2 high. Stacks 3 high or 4 high should not be moved under any conditions.
- When using fork trucks to move loaded racks, make sure forks are set at maximum usable width to insure stability.
- It is strongly recommended to stack racks one at a time.
- Check all bolts periodically to insure tightness. Inspect unit periodically for any damage that may have occurred from use or exposure to corrosive materials.

## ASSEMBLY



**NOTE:** Assemble all parts loosely.

1. Place washer on bolt.
2. Insert bolt through hole in saddle weldment, then through hole in tube weldment. Put nut on end of bolt. Be sure flat washer is on outer side of saddle weldment.
3. Assemble unit together in this manner loosely using all bolts.
4. Tighten all bolts. Do not overtighten.