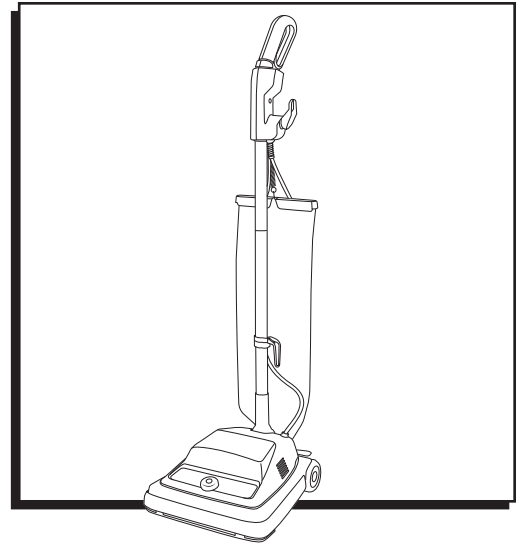


**ULINE H-3480**

# SANITAIRE QUIET CLEAN INDUSTRIAL VACUUM

1-800-295-5510  
uline.com



## SAFETY



**NOTE:** When using an electrical appliance, basic precautions should always be followed, including the following: **READ ALL INSTRUCTIONS BEFORE USING THIS VACUUM CLEANER.**



**WARNING!** To reduce the risk of fire, electric shock, or injury:

- Do not use outdoors or on wet surfaces.
- Do not leave vacuum cleaner when plugged in. Turn off the switch and unplug the electrical cord when not in use and before servicing.
- Do not allow to be used as a toy. Close attention is necessary when used by or near children.
- Use only as described in this manual. Use only the manufacturer's recommended attachments.
- Do not use with damaged cord or plug. If vacuum cleaner is not working as it should, has been dropped, damaged, left outdoors, or dropped into water, return it to a service center before using.
- Do not pull or carry by cord, use cord as a handle, close door on a cord, or pull cord around sharp edges or corners. Do not run vacuum cleaner over cord. Keep cord away from heated surfaces.
- Do not use extension cords or outlets with inadequate current carrying capacity.
- Turn off all controls before unplugging.
- Do not unplug by pulling on cord. To unplug, grasp the plug, not the cord.
- Do not handle plug or vacuum with wet hands.
- Do not put any object into openings. Do not use with any opening blocked; keep free of dust, lint, hair or anything that may reduce airflow.
- This vacuum cleaner creates suction and contains a revolving brush roll. Keep hair, loose clothing, fingers and all parts of the body away from openings and moving parts.
- Do not place cleaner on furniture or stairs as the brush roll may cause damage.
- Do not pick up anything that is burning or smoking, such as cigarettes, matches, or hot ashes.
- Do not use without dust bag or filter(s) in place.
- Belt pulleys can become hot during normal use. To prevent burns, avoid touching the belt pulley when servicing the drive belt.
- Use extra care when cleaning on stairs.
- Do not use to pick up flammable or combustible liquids such as gasoline, or use in areas where they may be present.
- Store your cleaner indoors in a cool, dry area.
- Keep your work area well lighted.
- Unplug electrical appliances before vacuuming them.



**CAUTION! THIS APPLIANCE MUST BE GROUNDED.** If it should malfunction, or break down, grounding provides a path of least resistance for electrical current to reduce the risk of electric shock.



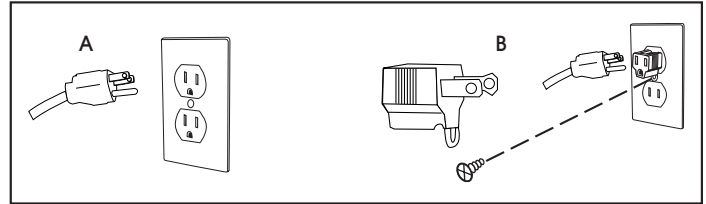
**NOTE:** The appliance is equipped with a cord having an equipment-grounding conductor and grounding plug. The plug must be plugged into an appropriate outlet that is properly installed and grounded in accordance with all local codes and ordinances.

## DANGER

Improper connection of an equipment-grounding conductor can result in risk of electric shock. Check with a qualified electrician or service person if you are in doubt as to whether the outlet is properly grounded. Do not modify the plug provided with the appliance. If it will not fit the outlet, have a proper outlet installed by a qualified technician.

This appliance is for use on a nominal 120 volt circuit and has a grounding plug that looks like the plug illustrated in Figure A. A temporary adapter which looks like the adapter illustrated in Figure B may be used to connect this plug to a two-pole receptacle, as shown, if a properly grounded outlet is not available. The temporary adapter should be used only until a properly

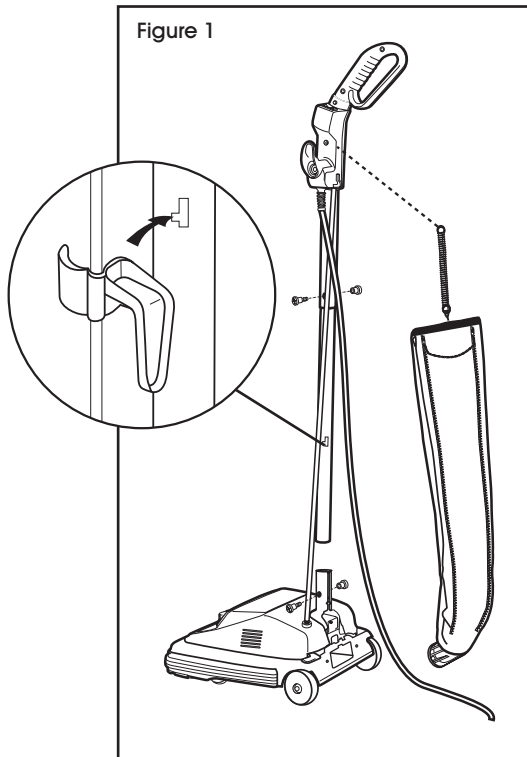
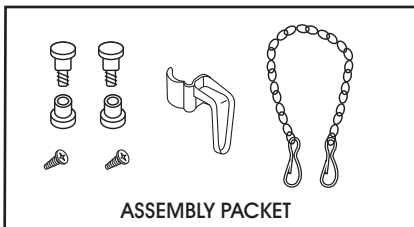
grounded outlet, Figure A, can be installed by a qualified electrician. The green colored rigid ear, lug, or the like extending from the adapter must be connected to a permanent ground such as a properly grounded outlet box cover. Whenever the adapter is used, it must be held in place by a metal screw.



## ASSEMBLY

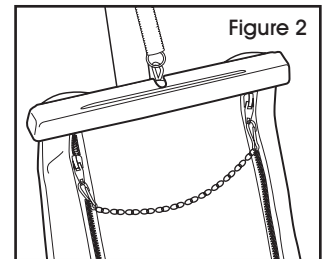
### ASSEMBLY PACKET (included with Owner's Guide)

Contains: two 2-part bolts, two screws, lower cord hook and dual-zipper connector.



**CAUTION!** Assemble vacuum **FULLY** before using.

1. Slide upper and lower handles together so holes are aligned. (See Figure 1) Insert 2-part bolt in center hole of handle. Tighten.
2. Hold assembled handle so handle curves away from vacuum. Place lower handle into handle socket at rear of vacuum. Align holes, insert 2-part bolt and tighten.
3. Secure power cord into groove in lower cord hook and snap into handle. (See Figure 1 Inset) Pull cord to tighten (leave enough slack so cord is not strained when handle is lowered). Wrap cord around both cord hooks and fasten plug to prevent unwinding. For quick cord removal, twist top hook downward.
4. Hold bag with zipper away from handle. Align holes in outer bag flange with base of vacuum and fasten with two screws. Loop bag spring onto bag support hook on upper handle.
5. Insert one clip of the dual-zipper connector through the eyelet of the zipper. Insert the clip on the other end of the dual-zipper connector to the remaining zipper eyelet. This will form a looped connector that allows both zippers to be operated at the same time. (See Figure 2)

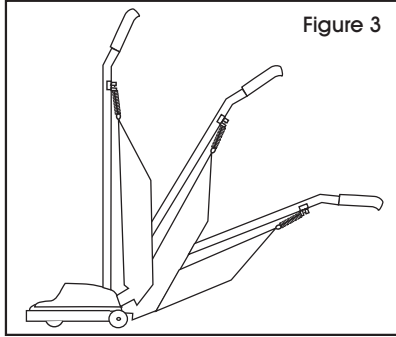


**CAUTION:** Do not use dual-zipper connector to lift vacuum.

# USE AND MAINTENANCE

## HANDLE ADJUSTMENT

Step on handle release (left rear side of vacuum) with tip of foot. Adjust handle to desired position. Hold release down to adjust handle flat for cleaning under low furniture. (See Figure 3)

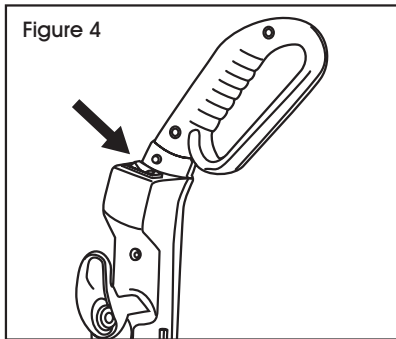


## POWER SWITCH

Power switch is located on left side of looped handle. (See Figure 4)

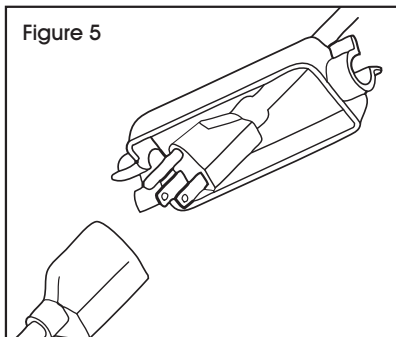
Positions:

- "0" position = OFF
- "I" position = ON (Quiet Clean mode)
- "II" position = ON (full power)



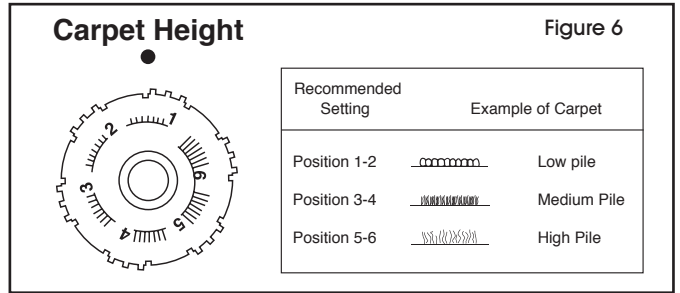
## EXTENSION CORD (INCLUDED)

Extension cord must be plugged into pigtail cord and fastened with cord lock. Pigtail cord is pre-connected to vacuum. (See Figure 5) Use 16 AWG, SJT-type extension cord as minimum requirement.



## CLEANER HEIGHT SETTINGS

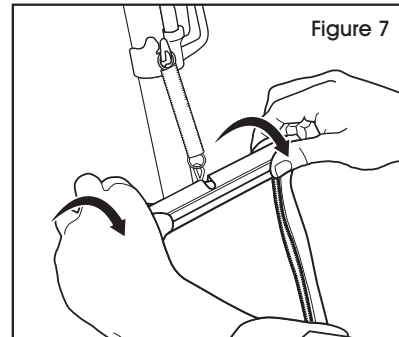
With power cord unplugged, adjust base to lowest setting with five-position red adjustment knob. Increase height setting until vacuum is comfortable to push. (See Figure 6) (Brush roll must reach the carpet for effective cleaning.)



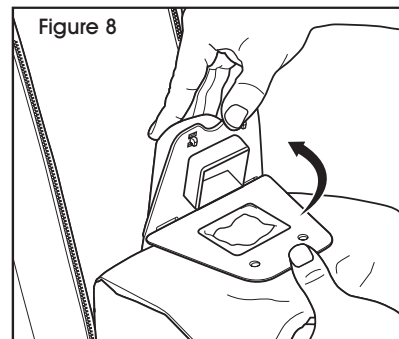
**CAUTION!** Always turn off switch and unplug electrical cord before maintenance.

## CHANGING THE DUST BAG

1. Release red bag cap by grasping finger tabs and rotating cap towards front of bag. (See Figure 7) Pull down on dual-zipper connector to access bag.

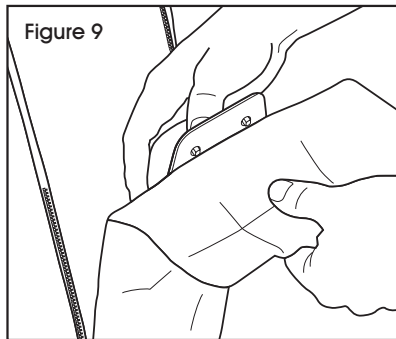


2. While supporting top of dirt tube, pull dust bag collar forward. (See Figure 8)

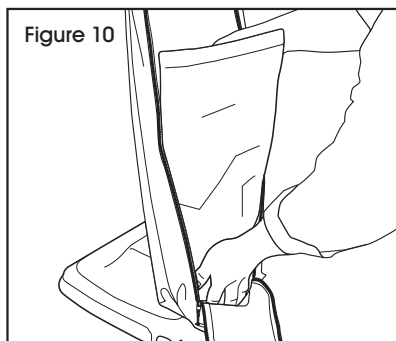


## USE AND MAINTENANCE CONTINUED

- Place new dust bag collar on tabs of dirt tube interface and rotate up until dirt tube tabs engage holes in dust bag collar. (See Figure 9)



- Tuck bottom of dust bag into lower portion of outer bag. (See Figure 10)



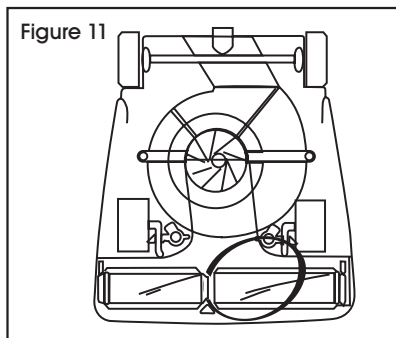
- Replace red bag cap and pull up on dual-zipper connector.

### REPLACING WORN BELTS

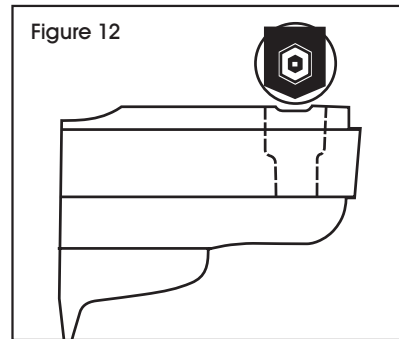


**CAUTION!** To prevent burns, avoid touching belt pulley when servicing drive belt.

- Release cam locks and remove bottom plate. Pull up on belt and rotate off motor pulley. (See Figure 11)



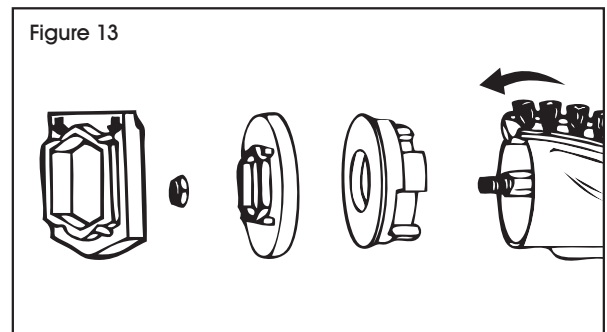
- Lift up on brush roll and remove worn belt. (See Figure 12) Place new belt around brush roll and align brush roll pulley with belt guide.



- Insert rubber end caps with flat side against end cap. Align holes and secure. Align end caps with slots in cleaner base and push brush roll into base.
- Place lower side of belt into belt guide and stretch belt around left side of motor pulley. Rotate pulley to center belt and secure into groove.
- Replace bottom plate and secure with tab locks.

### REPLACING BRUSH STRIPS

- Remove rubber end cap from one end of brush roll. Unscrew locknut and remove end cap. Remove bearing retainer and push shaft through opposite end. Remove worn brush strip with pliers. (See Figure 13)



- Using rounded end first, slide in new brush strip of equal length. Fit track on either side of brush strip into brush roll slot. Using same procedure, replace second strip from opposite end of brush roll.
- Replace shaft and align indentation on bearing retainer with brush strip on both ends of brush roll.
- Reassemble remainder of brush roll and secure into base.

# TROUBLESHOOTING

OPERATING ISSUE	RECOMMENDATIONS
There is little or no suction.	<ol style="list-style-type: none"><li>1. There may be a clog in the bottom of the vacuum. Remove bottom plate and check for clogs in base and/or brush roll.</li><li>2. Belt may be broken. Replace belt.</li><li>3. Dust bag may be full. Check and replace if full.</li></ol>
Belt continues to break.	<ol style="list-style-type: none"><li>1. The agitator bar should be positioned so the belt lines up with the belt guide grooves on the bottom frame of the vacuum.</li></ol>
Vacuum has a burning smell.	<ol style="list-style-type: none"><li>1. The belt may be damaged or something may be caught in the brush roll.</li><li>2. Check brush roll for obstruction and remove.</li><li>3. Replace belt.</li></ol>
Dust leaking out of vacuum.	<ol style="list-style-type: none"><li>1. Check to ensure paper bag collar is properly attached inside black bag.</li></ol>