

# ULINE H-3504 GARAGE CANOPY

1-800-295-5510  
uline.com

7'7" x 12' x 7'8"

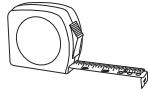
## TOOLS NEEDED



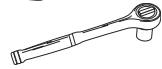
Safety Glasses



Wrench or Socket  
9/16" or 14mm



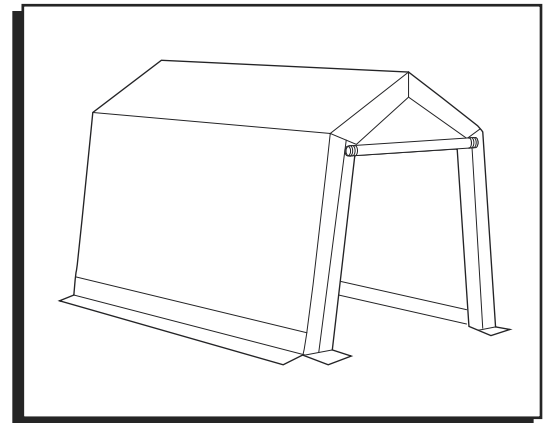
Tape Measure



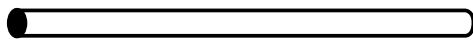
Phillips Screwdriver



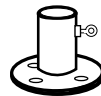
Rubber Mallet



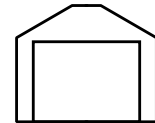
## PARTS



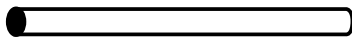
A. 69" Pipe x 16



E. Metal Foot Pad x 6



H. Zippered Front Wall x 1



B. 36" Pipe x 6



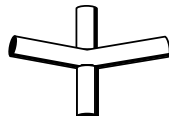
F. Foot Pad Stake x 12



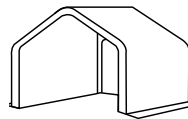
I. Elastic Ball Strap x 35



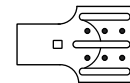
C. 3-Way Fitting x 6



D. 4-Way Fitting x 3



G. Cover With Rear Wall & Sides x 1



J. Single Side  
Pipe Clamp x 4



K. Double Side  
Pipe Clamp x 2

## SAFETY



**CAUTION!** Keep all flame and heat sources away from tent fabric. The tent fabric will burn if left in continuous contact with any flame source.

**DO NOT** cook underneath or near canopy.

**DO NOT** store or use flammable liquids underneath or near canopy.

**DO NOT** ignite or store fireworks underneath or near canopy.

**DO NOT** use bleach to clean cover.

**DO NOT** dry clean cover.

**DO NOT** wash cover in washing machine or dry in dryer. Hand wash with mild soap and water only.

**DO NOT** allow rain water, snow or ice to accumulate on top of cover.

**DO NOT** hang or suspend anything from the frame, grommets, truss system or ball straps of the unit.

**REMOVE** canopy cover before a storm, or disassemble entire canopy unit if possible.

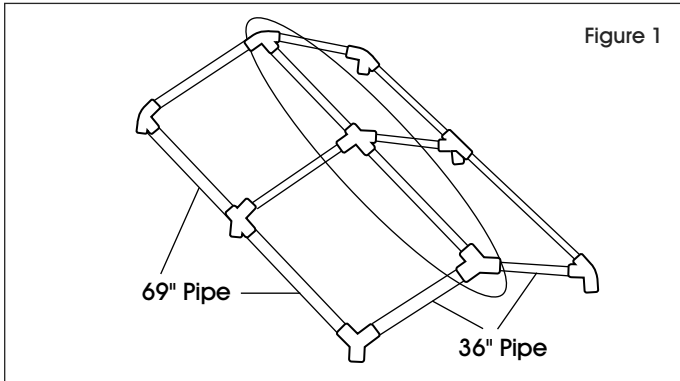


**NOTE:** This is a temporary structure and is not recommended for use as a permanent structure.

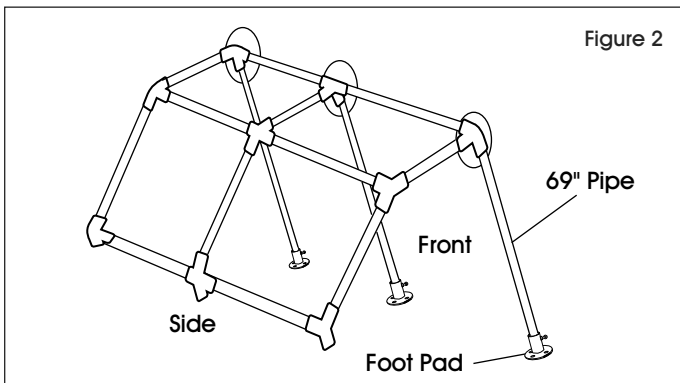
# ASSEMBLY

## ROOF FRAME ASSEMBLY

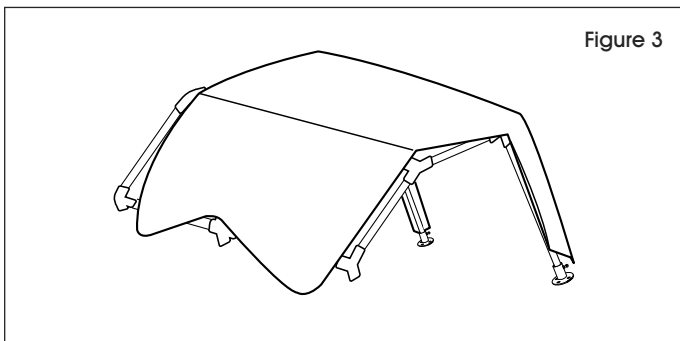
1. Start top frame assembly as shown. (See Figure 1) The 36" pipes are used for the roof rafters and 69" pipes form the length of the frame. Start assembly with center peak as circled. (See Figure 1)



2. Once you have assembled the roof frame, insert the legs on one side using the 69" pipes with the foot pads installed. (See Figure 2)

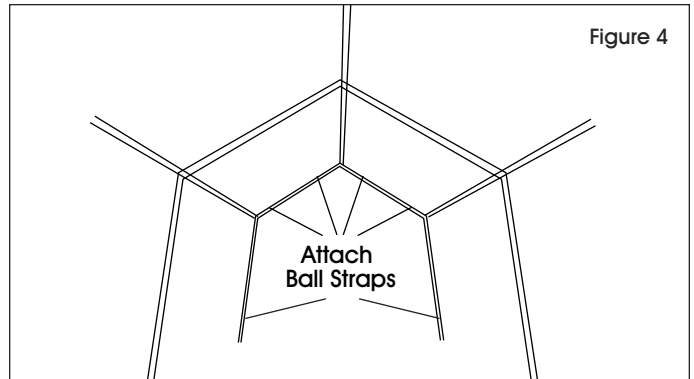


3. With the top frame on one side and the legs inserted on the other side (See Figure 3) drape the 1-piece cover with sides and rear wall over the frame. Make sure you have the open end in the direction needed. Pull 1 side down over the frame with the legs inserted. You can also pull the rear over the frame partially. Next, insert the legs on the opposite side and pull the rest of the cover on. (See Figure 3)

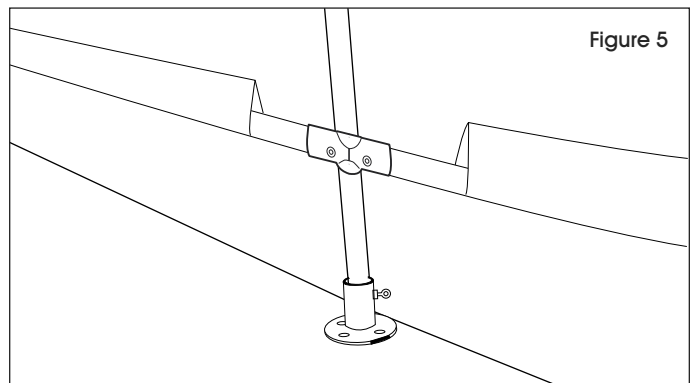


## COVER ASSEMBLY

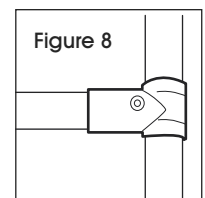
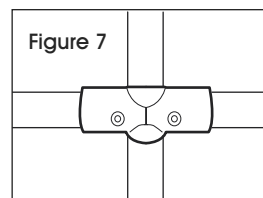
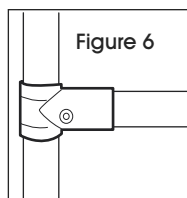
1. With frame assembled and cover on, you can now attach cover to frame using the ball straps. The grommet holes on the cover are located along the back and front frame line. (See Figure 4) Attach the cover by running the strap through the grommet hole, around the pipe, then loop strap over the ball. If the straps are too long for a tight fit, you can double wrap them or make an additional knot in the strap cord to shorten them.



2. To install side rails and wall support, slide a 69" pipe into the sleeves at the bottom of the side walls. (See Figures 5)



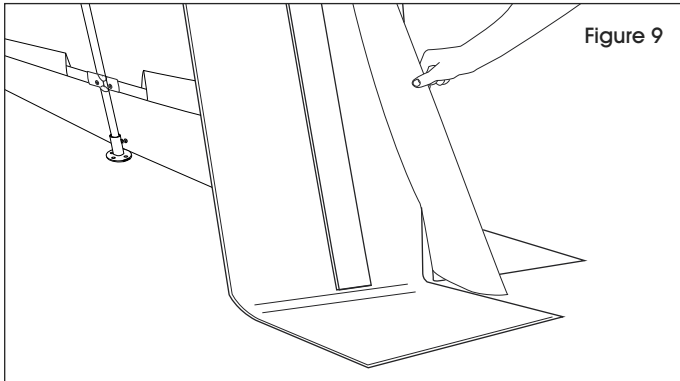
3. Use double-side clamp to connect to center leg, and single-side clamp to connect the corner legs. (See Figures 6-9)



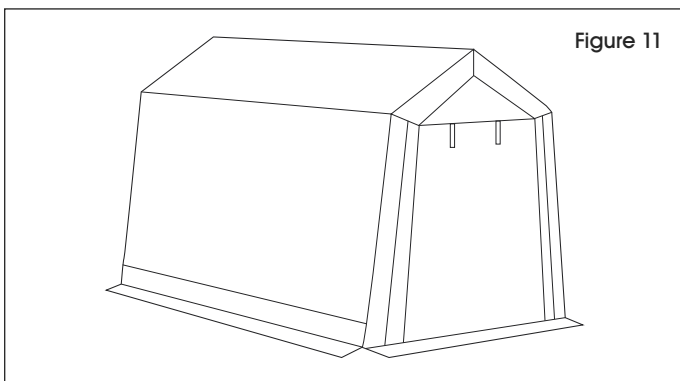
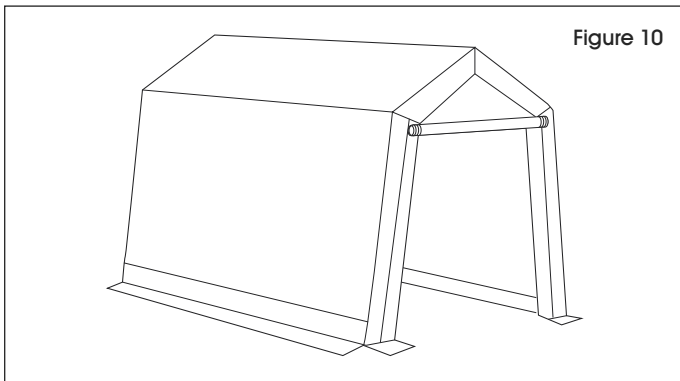
# ASSEMBLY CONTINUED

## COVER ASSEMBLY CONTINUED


4. Your storage shelter can be used with or without the front zipped wall. If you choose to use your front wall, install it with Velcro® strips and ball straps through the grommet holes, then attach it with Velcro® enclosures. (See Figure 7)



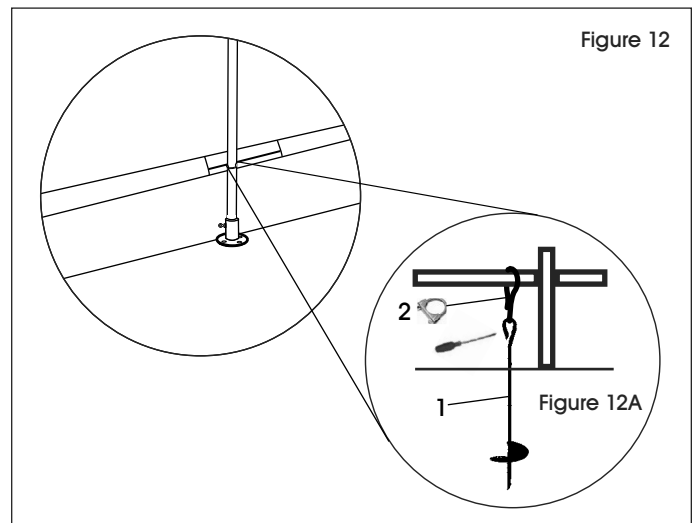
5. The wall can be removed quickly and easily at any time. The front wall has a zippered door that rolls up to gain access and closes for storage. The sides and ends are extra long and can be buried in the ground. Use rock, stone or brick to keep unwanted creatures out. (See Figures 9-11)



## ANCHORING THE UNIT

 **NOTE:** the canopy is designed for use as a temporary structure. After assembly, the canopy must be securely anchored to the ground to prevent damage from winds.

1. Your canopy will act like a kite in the wind if not properly and securely anchored to the ground. Severe winds will cause the frame to twist and unanchored legs will fall, thereby collapsing the canopy. If severe winds are expected, you must remove the cover from the frame to prevent damage. (See Figure 12)



2. We recommend anchoring your canopy at each corner foot and each center foot on each side. Screw anchor (1) into the ground next to canopy foot using a large screwdriver. (See Figure 12A) Looping the cable through the anchor eye will keep it out of the way while turning. Tilting the anchor slightly will help the anchor to cut into the ground. Leave approximately 3" of the anchor out of the ground. (See Figure 12)
3. Unloop the cable from the anchor eye and slide the clamp onto cable (2). Run cable around the pipe and then back through the clamp. Pull the cable as tight as possible through the clamp. Hold the cable and tighten clamp with an adjustable wrench. (See Figure 12)
4. When you have tightened the clamp and satisfied that the cable will not slip, you may tighten the cable more by turning the anchor further in the ground. (See Figure 12)

**ULINE**

1-800-295-5510

uline.com