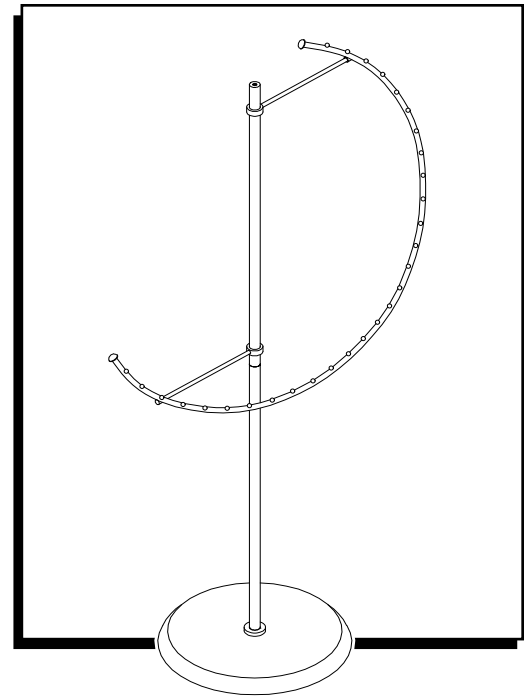


ULINE H-3789
SPIRAL CLOTHES RACK

1-800-295-5510
 uline.com



TOOLS INCLUDED

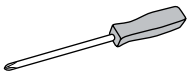


Large Allen Wrench



Small Allen Wrench

RECOMMENDED TOOL

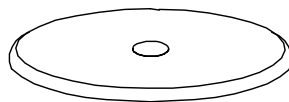


Phillips Screwdriver

PARTS LIST



Bottom Post
 (Bolt & Lock Washer Attached)



Base



Flat Washer



Large Allen Wrench



Collar

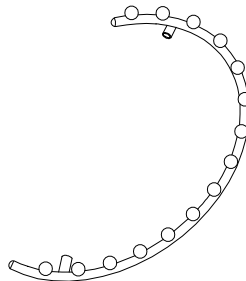


Small Allen Wrench

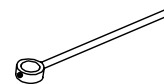
Red Hardware Bag



Top Post



Spiral Tube
 (2 End Caps Attached)



Spacer x 2
 (Screw and Headless
 Screw Attached)

ASSEMBLY

1. Remove bolt and lock washer from bottom post. Connect bottom post to base using bolt, lock washer, flat washer and collar. Tighten with large Allen wrench. (See Figure 1)

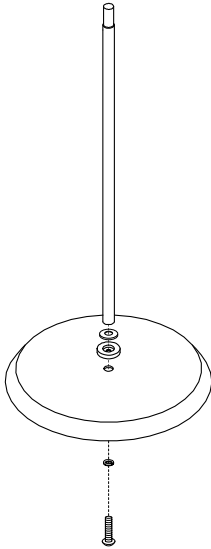


Figure 1

3. Unscrew two screws from straight end of spacers. Attach spacers to spiral tube using two screws. (See Figure 3)

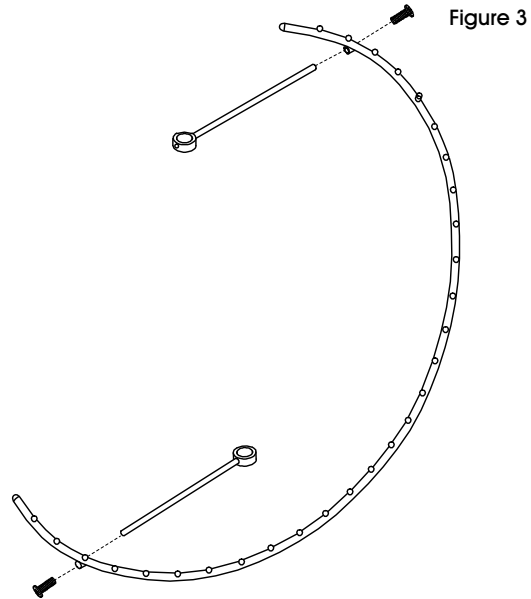


Figure 3

2. Slide top post over bottom post. Twist in place to tighten. (See Figure 2)

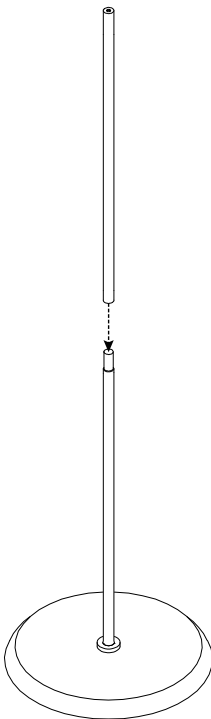


Figure 2

4. Unscrew two headless screws from ringed end of spacers. Slide spacers and spiral tube over top post. Secure headless screws using small Allen wrench. (See Figure 4)

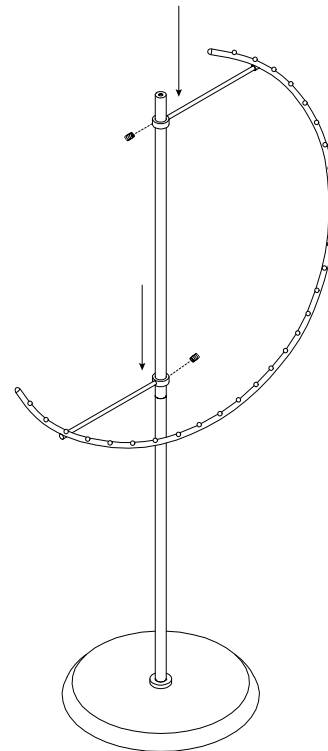


Figure 4