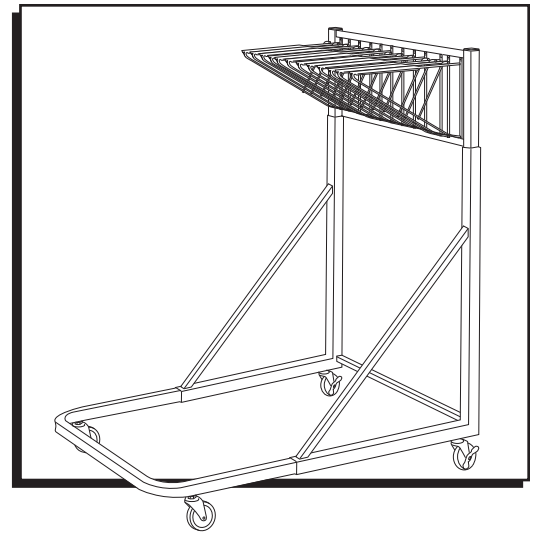


ULINE H-4455 MOBILE BLUEPRINT RACK

1-800-295-5510
uline.com



TOOLS NEEDED

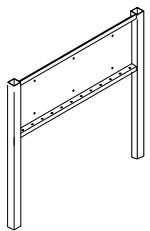


11mm Wrench



Allen Wrench (Included)

PARTS



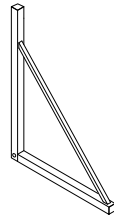
Upper Rack x 1



Pivot Hanger x 12



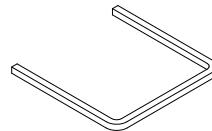
Lower Spreader Bar x 1



Side Frame x 2



End Cap x 2



Frame Extension x 1



1/4 - 20 x 3"
Bolt x 2



Washer x 2



Set Screw x 4

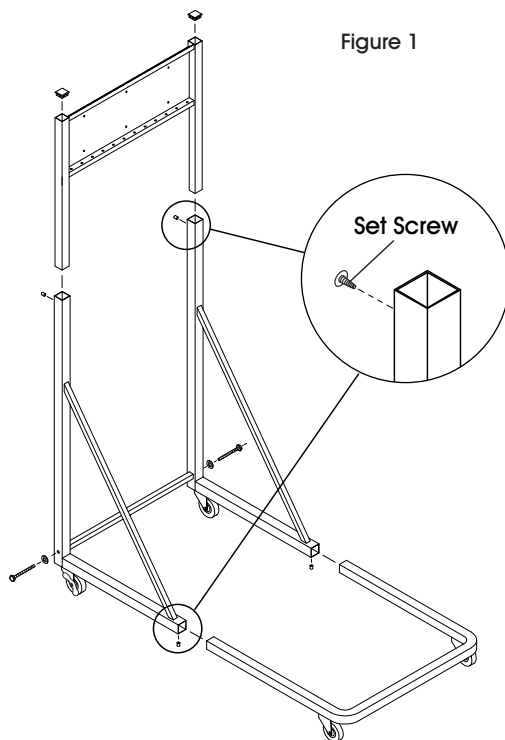


Swivel
Caster x 2



Locking Swivel
Caster x 2

ASSEMBLY INSTRUCTIONS



1. Position Frame Extension with holes toward the floor. Insert Frame Extension into the short end of the Side Frame tubes. (See Figure 1)
2. Slide posts of Upper Rack into the long end of the Side Frame tubes. (See Figure 1)
3. Install Casters to underside of frame by carefully screwing them in. Position both Locking Casters at the rear of the frame, closest to the Upper Rack. (See Figure 1)
4. Insert End Caps into the Upper Rack. (See Figure 1)
5. Insert Set Screws into Side Frames at four locations. Adjust to desired height and depth by using set screws and Allen wrench to lock in position. (See Figure 1)
6. Attach Lower Spreader Bar to Side Frames using two 1/4-20 x 3" Bolt and Washers. Fully tighten screws to secure bar in position. (See Figure 1)

ASSEMBLY INSTRUCTIONS CONTINUED

ATTACHING THE PIVOT HANGERS

7. Attach pivot hangers to frame by inserting spring-loaded top post into top hole of Upper Rack, then inserting bottom post into bottom hole. (See Figures 2-4)

