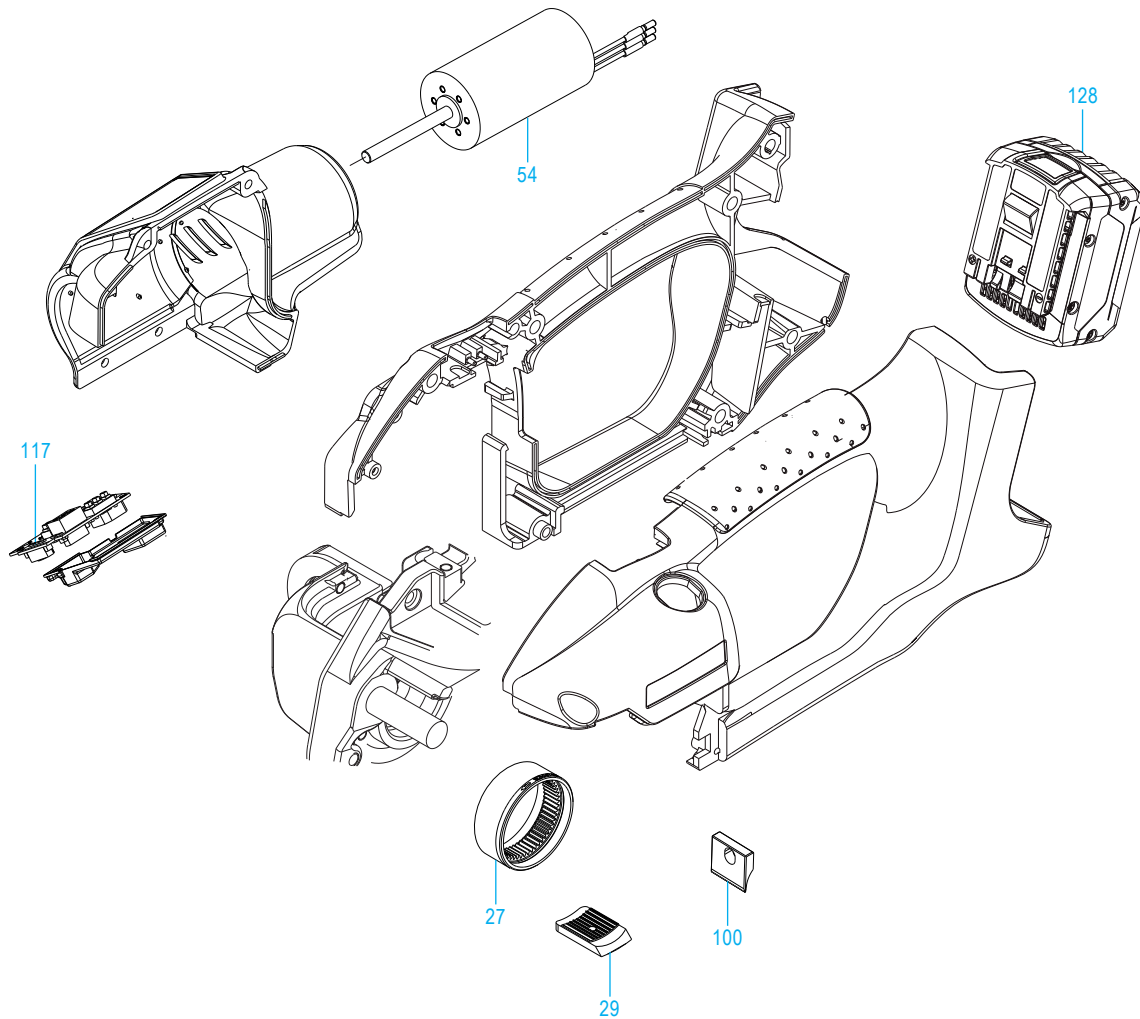
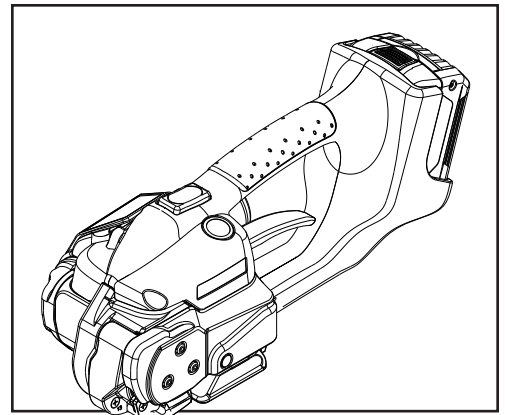


# ULINE H-2385

## AUTOMATIC SEALLESS COMBO STRAPPING TOOL

1-800-295-5510  
uline.com



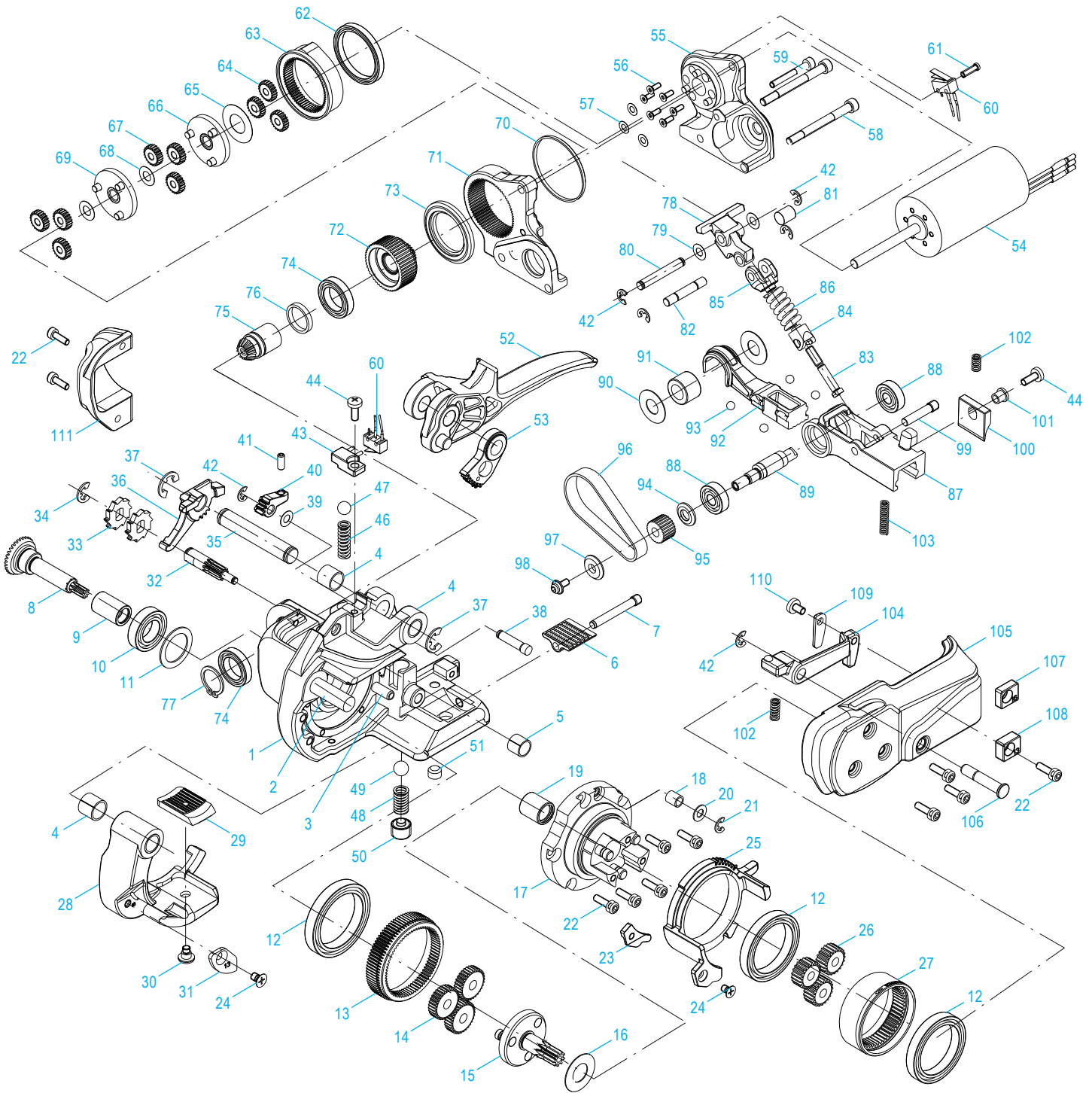
#	DESCRIPTION	QTY.	ULINE PART NO.	MFG. PART NO.
27	Tension Wheel	1	H-2385-WHEEL	1821.047.013
29	Tooth Plate	1	H-2385-TOOTH	1821.048.015
54	Motor Complete	1	H-2385-MOTOR	1821.140.076
100	Knife	1	H-2385-KNIFE	1821.209.019
117	Printed Circuit Board	1	H-2385-PCBRD	1821.152.069
128	Battery 14.4V/2.6 Ah Li-Ion, US	1	H-2385-BATT	2187.002

 **NOTE:** For a more detailed parts diagram, please proceed to the following pages.

# ULINE H-2385

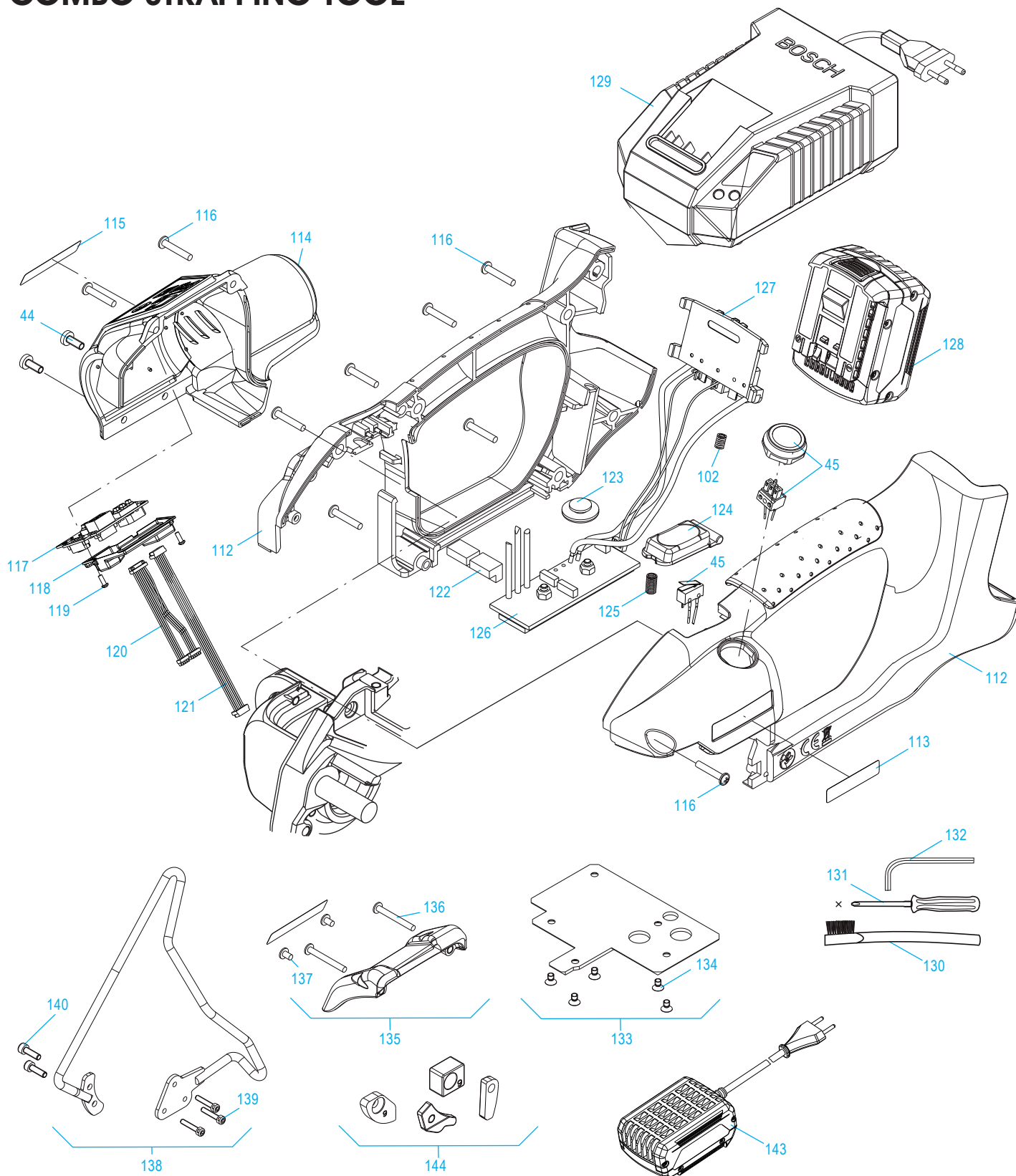
## AUTOMATIC SEALLESS COMBO STRAPPING TOOL

1-800-295-5510  
uline.com



# ULINE H-2385 AUTOMATIC SEALLESS COMBO STRAPPING TOOL

1-800-295-5510  
uline.com



**ULINE H-2385**  
**AUTOMATIC SEALLESS**  
**COMBO STRAPPING TOOL**

1-800-295-5510  
 uline.com

#	DESCRIPTION	QTY.	ULINE PART NO.	MFG. PART NO.
1	Base Plate Complete, Includes Pos. 2-5	1	H-2385BASEPL	1832.011.170
2	Cylinder Pin	1	-----	1921.310.501
3	Roll Pin	1	-----	1921.906.262
4	Slide Bearing	4	-----	1935.510.100
5	Slide Bearing	1	-----	1935.508.080
6	Tooth Plate Bottom	1	H-2385-THBTM	1832.022.109
7	Set Screw	1	H-2386-SETSW	1832.022.055
8	Bevel Wheel With Pinion	1	H-2385-BVWHL	1821.061.018
9	Free-Wheel Needle Bearing	1	-----	1926.502.100
10	Ball Bearing	1	-----	1930.190.154
11	Spacer Disk	1	-----	1917.411.208
12	Ball Bearing	3	H-2385-BEAR	1930.180.356
13	Blocking Wheel	1	-----	1832.039.211
14	Planetary Wheel, 1st Step	3	-----	1821.060.016
15	Planetary Support Complete	1	-----	1832.039.165
16	Spacer	1	-----	1917.401.125
17	Flange Complete, Includes Pos. 18,19	1	-----	1832.039.197
18	Slide Bearing	1	H-2386-20SB	1935.504.060
19	Needle Bushing	1	H-1334-63	1933.710.150
20	Spacer Disk	1	H-2386-SDISK	1917.411.045
21	Lock Washer	1	H-2386-LOCKW	1920.103.062
22	Cylinder Screw	11	-----	1911.004.127
23	Strap Guide 13mm	1	H-2386-13STG	1832.031.051
24	Counter Sunk Screw	2	-----	1911.804.064
25	Cam Disk	1	-----	1832.039.207
26	Planetary Wheel, 2nd Step	3	H-2385-PLANT	1821.060.014
27	Tension Wheel	1	H-2385-WHEEL	1821.047.013
28	Rocker Complete, Includes Pos. 4	1	H-2385-RCKR	1832.031.054
29	Tooth Plate	1	H-2385-TOOTH	1821.048.015
30	Pan Head Screw	1	H-2385-SCREW	1832.039.200
31	Strap Stop, Front 13mm	1	-----	1832.031.048
32	Pawl Shaft	1	H-2385-PAWL	1832.039.214
33	Pawl Wheel	2	H-2386-WHEEL	1832.039.213
34	Retaining Ring	1	H-1334-LOCKW	1920.105.072
35	Bolt	1	H-2385-BLT35	1832.039.208
36	Blocking Pawl	1	H-2385-BPAWL	1832.031.057
37	Retaining Ring	2	H-2386-RRING	1920.108.102
38	Bolt	1	H-2385-BLT38	1832.022.186
39	Spacer Disk	1	-----	1917.411.052
40	Reset Cam	1	H-2385-RSTCA	1832.022.185
41	Set Screw	1	-----	1910.404.104
42	Retaining Ring	6	-----	1920.104.072

**ULINE H-2385**  
**AUTOMATIC SEALLESS**  
**COMBO STRAPPING TOOL**

1-800-295-5510  
 uline.com

#	DESCRIPTION	QTY.	ULINE PART NO.	MFG. PART NO.
43	Support Micro Switch	1	H-2385-43	1832.031.060
44	Pan Head Screw	4	H-2385-PANHD	1912.404.104
45	Welding Cables	1	H-2385-CABL	1821.151.017
46	Compression Spring	1	H-2385-45	1821.010.095
47	Ball	1	H-1274GLOB	1925.010.802
48	Compression Spring	1	H-2385-48	1821.010.092
49	Ball	1	H-2385-BALL	1925.010.902
50	Set Screw	1	H-2385-50	1832.039.210
51	Set Screw	1	-----	1910.408.064
52	Rocker Lever Complete	1	H-2385-52	1832.031.061
53	Toothed Lever	1	H-2385-LEVER	1832.039.199
54	Motor Complete	1	H-2385-MOTOR	1821.140.076
55	Motor Support Complete	1	-----	1832.022.191
56	Counter Sunk Screw	6	-----	1912.203.086
57	Spacer Disk	3	-----	1917.411.041
58	Shoulder Screw	2	-----	1821.027.037
59	Cylinder Screw	1	H-2386-102CS	1911.104.304
60	Cables Tensioning	1	H-2385-60	1821.151.016
61	Panhead Screw	1	H-2385-PHD61	1912.401.104
62	Ball Bearing	1	-----	1930.170.302
63	Excentric Cam	1	-----	1832.022.160
64	Planetary Wheel, 3rd Step	3	H-2385PWHEEL	1821.060.023
65	Spacer Disk	1	-----	1917.401.122
66	Carrier Complete, 2nd Step	1	H-2385-66	1832.039.203
67	Planetary Wheel, 2nd Step	6	H-2385-PWHL	1821.060.024
68	Spacer Disk	2	-----	1917.411.062
69	Carrier Complete, 1st Step		-----	1832.039.201
70	Ring	1	-----	1821.020.151
71	Cover Motor Support	1	-----	1832.022.196
72	Belt Wheel Complete	1	-----	1832.039.196
73	Starting Disk	1	-----	1832.022.161
74	Ball Bearing	2	H-1465-BB54	1930.180.152
75	Bevel Wheel Complete	1	H-2386-61019	1821.061.019
76	Spacer Ring	1	-----	1832.022.159
77	External Retaining Ring	1	-----	1920.215.102
78	Switching Cam	1	-----	1832.022.184
79	Spacer	2	-----	1917.411.051
80	Bolt	1	-----	1821.031.055
81	Bolt	1	-----	1832.022.163
82	Bolt	1	H-2385-BLT82	1832.022.174
83	Screwed Shaft	1	H-2385-SS83	1832.022.180

**ULINE H-2385**  
**AUTOMATIC SEALLESS**  
**COMBO STRAPPING TOOL**

1-800-295-5510  
 uline.com

#	DESCRIPTION	QTY.	ULINE PART NO.	MFG. PART NO.
84	Lower Linkage	1	-----	1832.022.181
85	Upper Linkage	1	-----	1832.022.182
86	Compression Spring	1	-----	1821.010.098
87	Swivel Bearing	1	-----	1832.022.171
88	Ball Bearing	2	H-2385-88BB	1930.100.072
89	Excentric Shaft	1	H-2385-XSHFT	1832.022.164
90	Spacer Disk	2	-----	1917.401.105
91	Needle Bearing	1	H-2386-NB	1933.210.120
92	Welding Shoe	1	-----	1832.022.169
93	Ball	4	-----	1925.010.502
94	Supporting Disk	1	-----	1832.022.165
95	Pinion	1	-----	1832.022.139
96	Toothed Belt	1	H-2385-TBELT	1821.067.011
97	Washer	1	-----	1821.020.147
98	Cylinder Screw	1	H-2386-102CS	1911.304.084
99	Bolt	1	-----	1832.022.173
100	Knife	1	H-2385-KNIFE	1821.209.019
101	Flanged Bushing	1	H-2385-FLNGD	1832.022.049
102	Compression Spring	3	H-2385-SPRNG	1821.010.053
103	Compression Spring	1	H-2385-103	1821.010.020
104	Lever Strap Guide Complete	1	H-2385-STRPG	1832.042.044
105	Side Cover	1	H-2385-SIDE	1832.011.168
106	Bearing Bolt	1	-----	1821.035.007
107	Rear Inner Guide 16mm	1	-----	1832.041.018
108	Rear Inner Guide 13mm	1	H-2385-019	1832.041.019
109	Strap Guide Rear 13mm	1	-----	1832.042.043
110	Panhead Screw	1	H-2386-PANHD	1912.404.064
111	Gear Cover	1	-----	1832.011.171
112	Housing Parts, Blue	1	H-2385-HOUSG	1832.011.198
113	Type Plate	1	H-2385-PLATE	1821.091.052
114	Motor Cover Complete	1	H-2386-MTRCV	1832.011.201
115	Name Plate	1	-----	1821.090.021
116	PT Screw	9	H-1274-162	1914.635.200
117	Printed Circuit Board	1	H-2385-PCBRD	1821.152.069
118	Protection Cover PCB	1	H-2386-PCB	1832.061.016
119	PT Screw	2	-----	1914.622.062
120	Intermediate Cable	1	H-2386-CABLE	1821.151.015
121	Signal Cable	1	H-2386-51018	1821.151.018
122	Gasket	2	H-2386-76018	1821.076.018

**ULINE** H-2385  
**AUTOMATIC SEALLESS  
 COMBO STRAPPING TOOL**

1-800-295-5510  
 uline.com

#	DESCRIPTION	QTY.	ULINE PART NO.	MFG. PART NO.
123	Protection Plate	1	-----	1832.011.181
124	Switch Button	1	-----	1832.011.184
125	Compression Spring	1	H-1274SPRNG	1821.010.054
126	Printed Circuit Board Complete	1	H-2385-126	1821.152.072
127	Contact Plate 14.4V	1	-----	1821.152.074
128	Battery 14.4V/2.6 Ah Li-Ion, US	1	H-2385-BATT	2187.002
129	Battery Charge AL 1860CV-US	1	H-2385-CHARG	2188.002
130	Wire Brush	1	-----	1821.901.004
131	Screw Driver, Crosstip	1	-----	1821.901.006
132	Angle-Wrench, Hexagon	1	-----	1821.901.007
133	Option: Protection Plate-Set	1	-----	2189.002
134	Counter Sunk Screw	5	-----	1911.804.064
135	Option: Protection Cover	1	-----	2189.003
136	PT Screw	2	-----	1914.635.300
137	PT Screw	2	-----	1914.635.140
138	Option: Suspension Bow-Set	1	-----	2189.001
139	Cylinder Screw	3	-----	1911.004.208
140	Cylinder Screw	2	-----	1911.005.168
143	Mains Connector 115V US	1	-----	2188.012
	Option: Strap Guide Set 9mm (Not Shown)	1	-----	2189.004
	Option: Power Supply Connection (Not Shown)	1	-----	-----