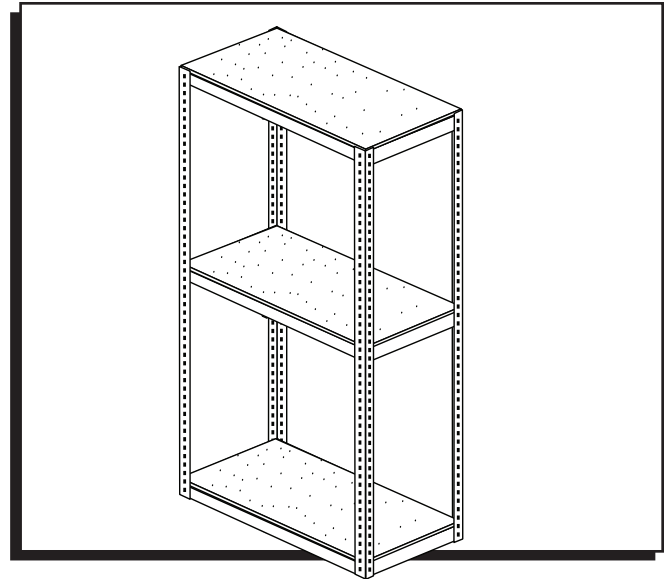


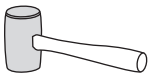
ULINE

WIDE SPAN STORAGE RACKS

1-800-295-5510
uline.com



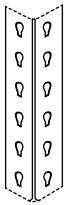
TOOLS NEEDED



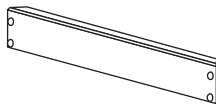
Rubber Mallet

PARTS LIST

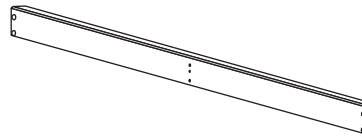
Upright Post x 4 (A)



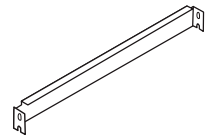
Side Support x 6 (B)



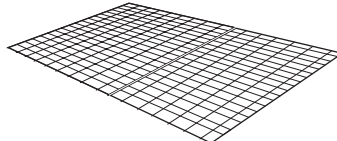
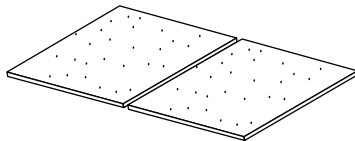
Front/Back Support x 6 (C)



Center Support x 3 - 9 (D)



Board (E) or Wire (F) x 3 (or 6)



NOTE: Boards and wire come as two pieces for 60, 72, and 96" wide racks.

ASSEMBLY

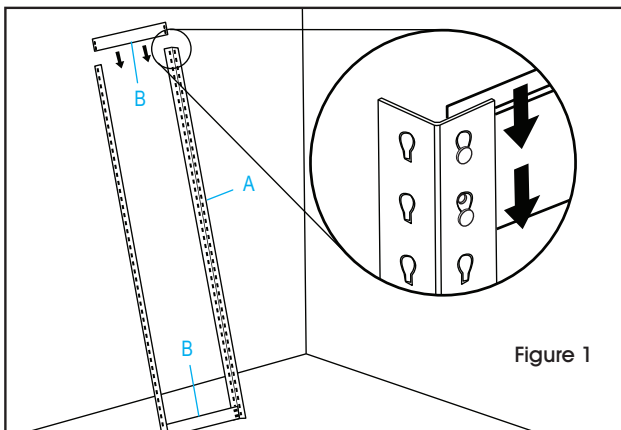


Figure 1



NOTE: Lean posts against a wall or assemble with another person.

1. Connect two upright posts (A) by inserting a side support piece (B) at the bottom and top of the posts. (See Figure 1)
2. Repeat step one for the other two upright posts (A).

ASSEMBLY (CONTINUED)

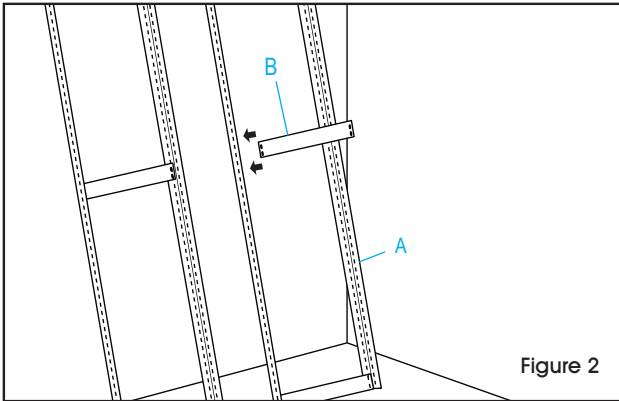


Figure 2

3. Place side support pieces (B) in the middle of the upright posts at desired middle shelf height. (See Figure 2)

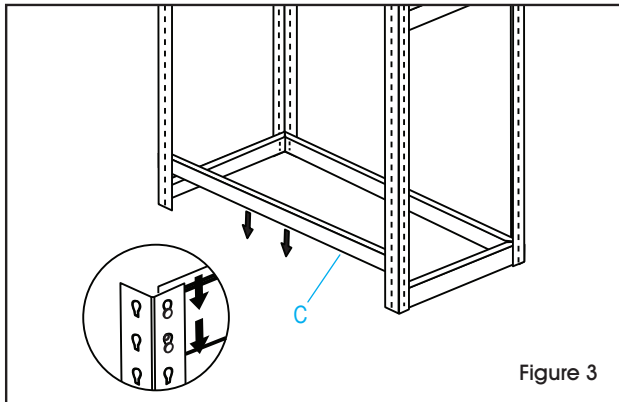


Figure 3

4. Connect the two upright post assemblies by inserting front/back supports (C) at the top and bottom of each upright post. (See Figure 3)



NOTE: Be sure the supports are fully seated before continuing with assembly.

5. Repeat step 4 for installation of all other front/back supports.

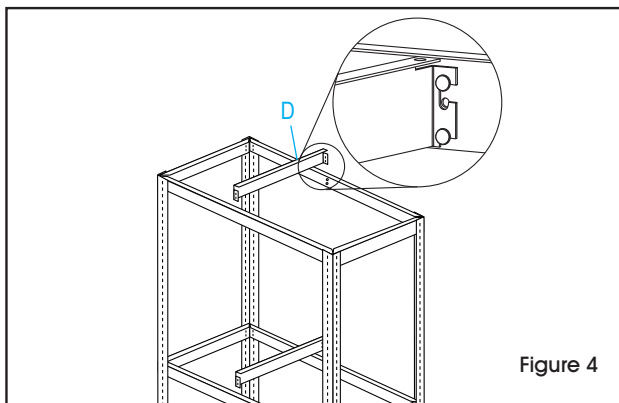


Figure 4

6. Attach shelf supports (D) at each level by placing the keyhole slots (on shelf support) over the rivets (on the inside of the front/back support) and tapping them into place. (See Figure 4)

Recommended number of shelf supports per shelf are as follows:

36" / 48" / 60" W – 1 Shelf Support

72" W – 2 Shelf Supports

96" W – 3 Shelf Supports

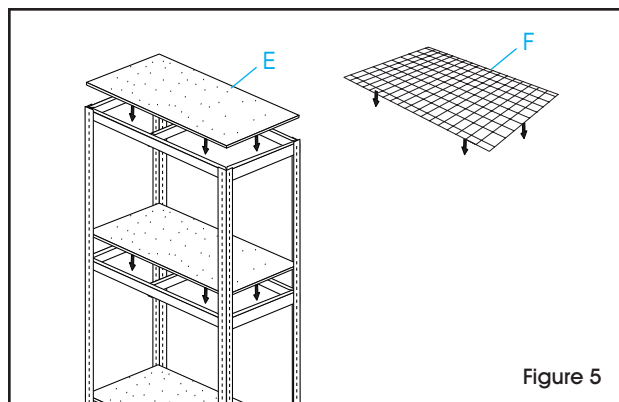


Figure 5

7. Set boards (E) or wire (F) on top of shelf supports, side supports, and front/back supports. (See Figure 5)