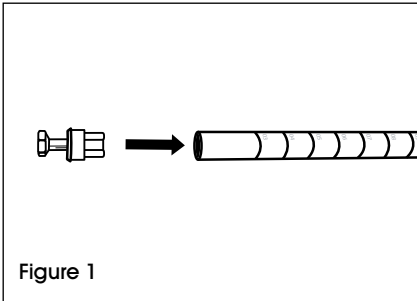


ADJUSTABLE OPEN WIRE SHELVING

ULINE

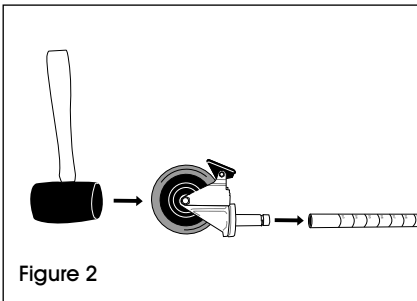
1-800-295-5510 uline.com

INSTALLATION OF SELF-LEVELERS AND OPTIONAL CASTERS



TO INSTALL SELF-LEVELERS

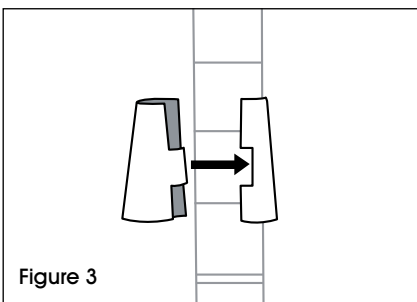
1. Make sure post is positioned as shown. (See Figure 1)
2. Insert self-leveler into open end of post.
3. Tap on ground until self-leveler slides into post.
4. Repeat steps 2 and 3 for other posts.



TO INSTALL OPTIONAL CASTERS

1. Make sure post is positioned as shown. (See Figure 2)
2. Engage the wheel brakes to keep casters from rolling during assembly. Use a rubber mallet to tap caster stems into posts. (See Figure 2)

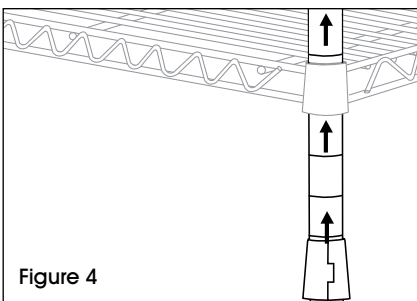
INSTRUCTIONS FOR UNIT ASSEMBLY



1. Start with the lowest shelf. Snap the interlocking pieces of a shelf support (wide end down) around the post at the lowest groove where shelf is to be located. Slide the support up or down until it snaps onto the groove. Add a shelf support to the same place on the remaining posts. (See Figure 3)

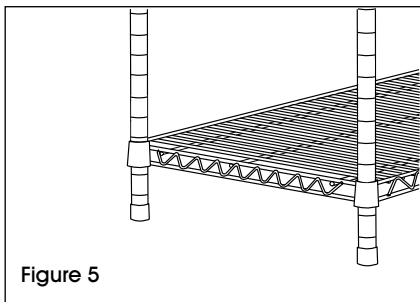


NOTE: NSF requires food service applications to keep the lowest shelf at least 6" above the floor.

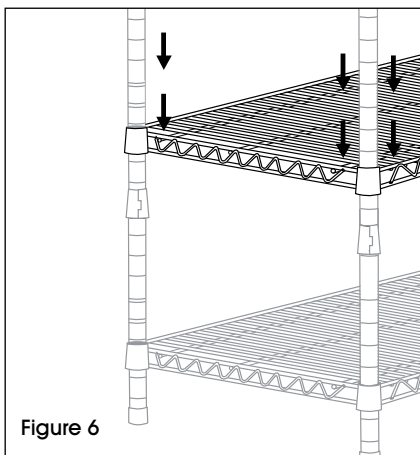


2. Slide post through underside of shelf until shelf slides firmly over supports (See Figure 4)

INSTRUCTIONS FOR UNIT ASSEMBLY (CONTINUED)

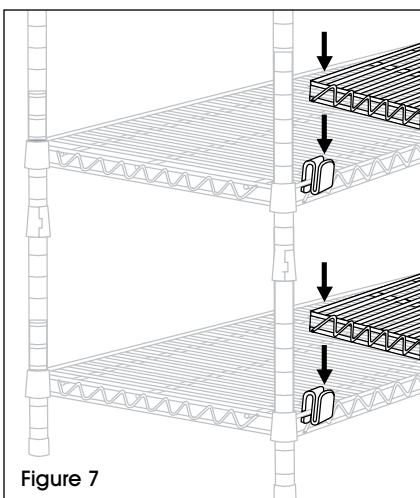


3. Stand unit upright. Gently tap shelf down to secure it. (See Figure 5)



4. Determine the height of the next shelf, snap on supports then add and secure shelf. Repeat Step 4 to add the remaining shelves. (See Figure 6)

INSTRUCTIONS FOR ADD-ON UNIT ASSEMBLY



5. **ASSEMBLE THE ADD-ON SHELVES:**
See Steps 1-4 to assemble the shelves to the 2 end legs.
6. **ATTACH ADD-ON ASSEMBLY TO EXISTING SHELVES:**
Install two S-hooks over shelf edges on each shelf of the main unit. Repeat for each Add-On Shelf being attached. (See Figure 7)

Insert Add-On Unit shelf edges into open ends of S-hooks. Repeat for each Add-On Shelf being attached. (See Figure 7)