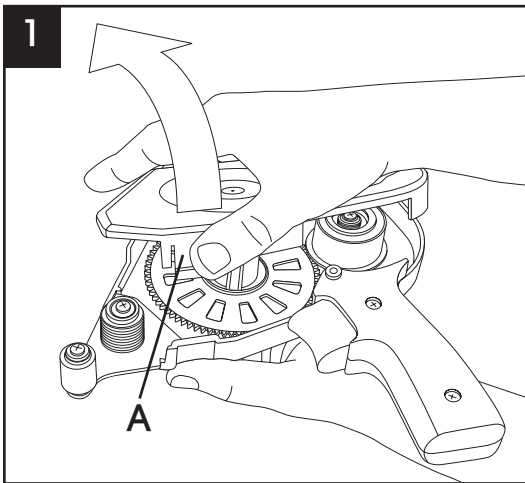
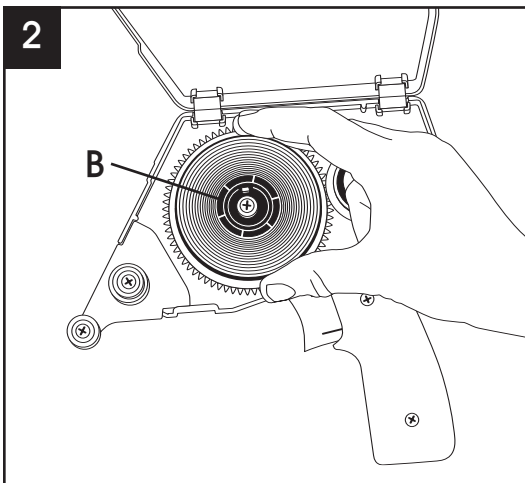
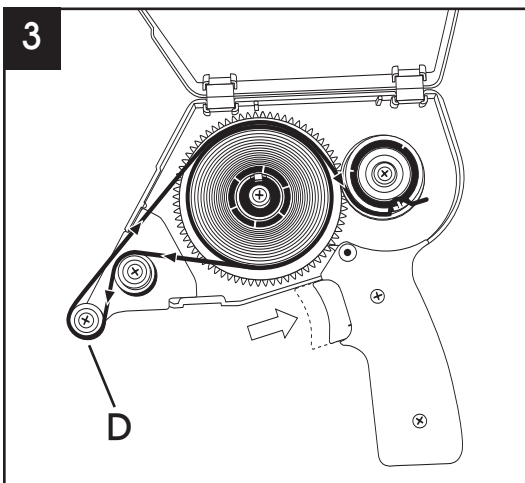


INSTALL TAPE ROLL

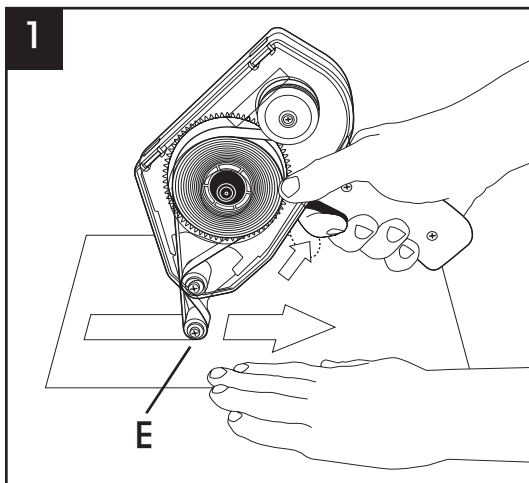
- 1** **OPEN COVER:** Depress latch "A" and lift. See Fig. 1.



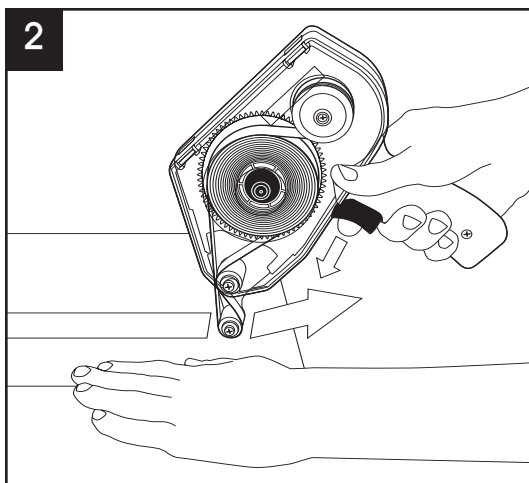
- 2** **SLIDE TAPE ONTO HUB:** Align slot on tape roll with tab "B" on hub. See Fig. 2.



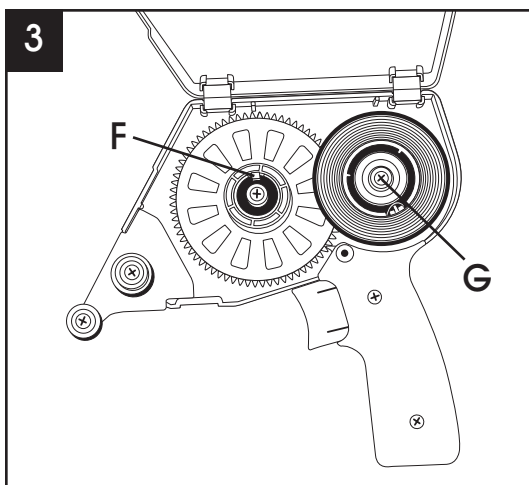
- 3** **THREAD TAPE:** Hold down trigger and thread tape leader around front rollers as shown in Fig. 3. Make sure one end of leader is inserted into take-up spool and other end of leader stops at point "D" as shown in Fig. 3. Close cover.

USING THE DISPENSER

1 **TO START:** Place roller "E" on surface. Depress trigger and pull dispenser.



2 **TO STOP:** Keep roller on surface, stop rolling, release trigger and pull dispenser to break the adhesive.



3 **REMOVING TAPE CORE:** Push hook "F" to release tape core.

4 **REMOVING REWOUND LINER:** Grasp firmly and slide liner off spool "G".