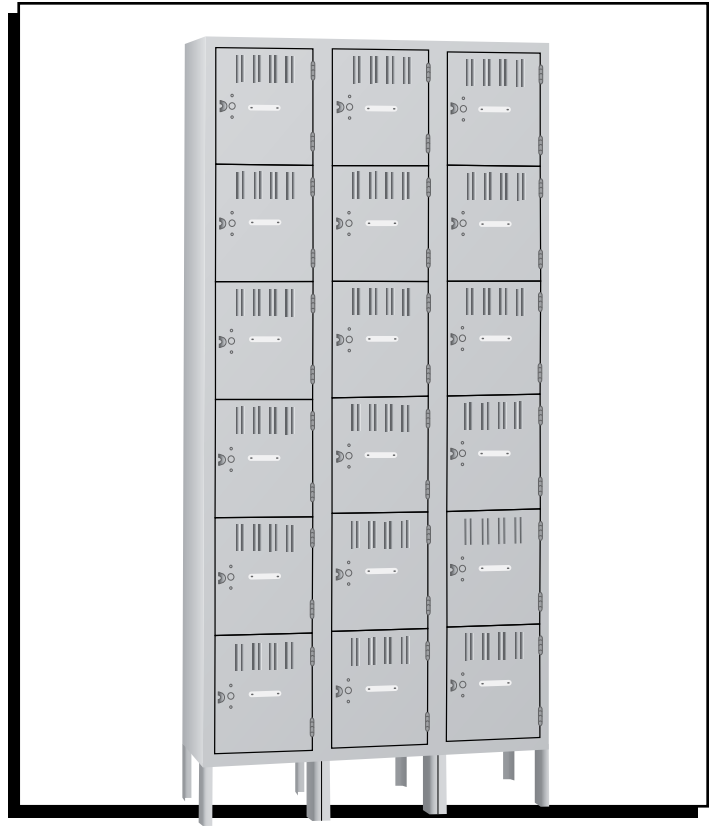


**ULINE**

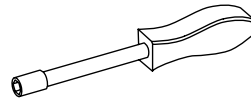
H-1393  
H-3639

1-800-295-5510  
uline.com

**SIX TIER  
LOCKER**



**TOOLS NEEDED**



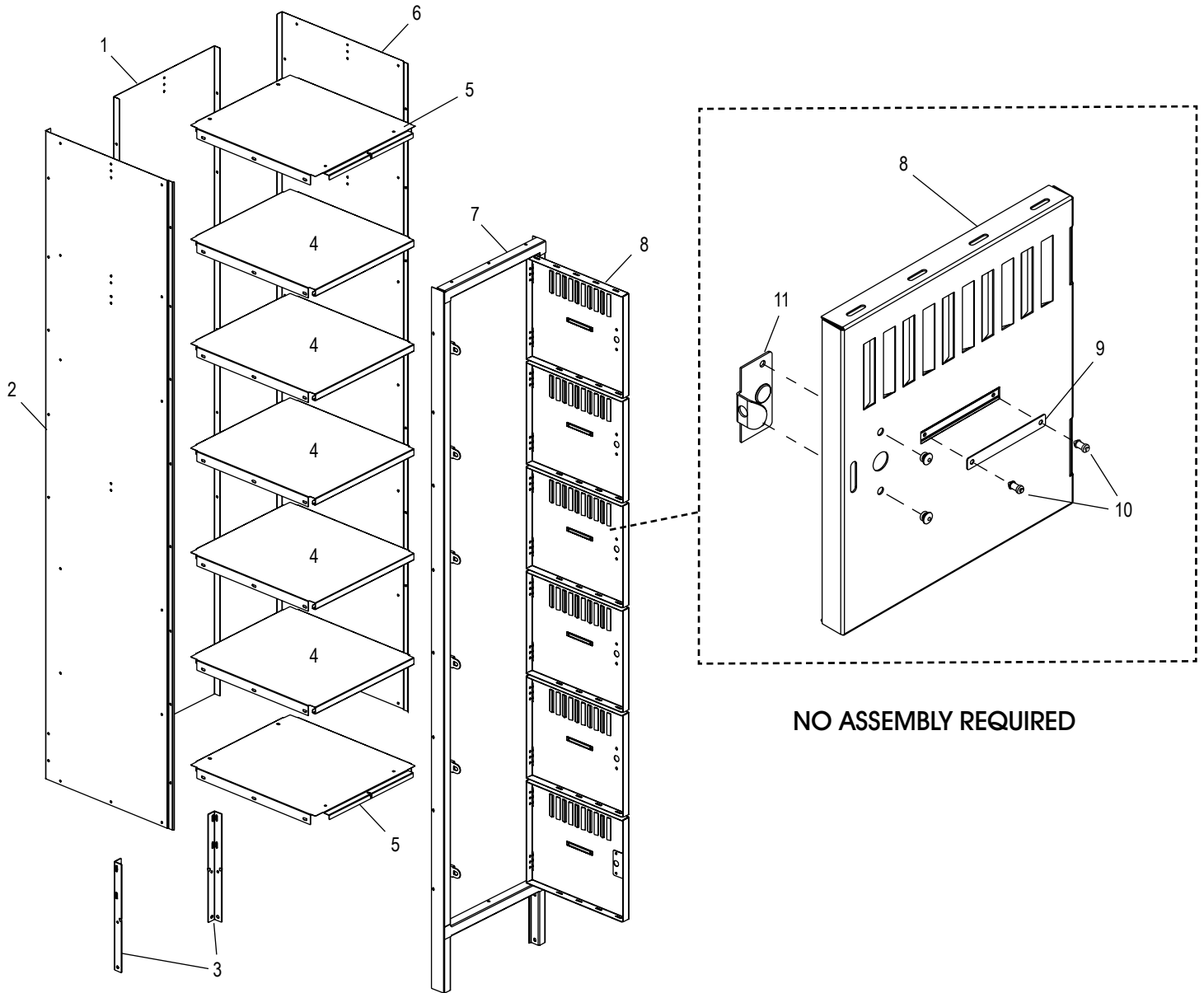
11/32" Nut Driver  
(included)



**CAUTION!** Some parts may have sharp edges. Take care when handling various pieces to avoid injury. For your safety, wear work gloves when assembling.

# PARTS

## PRIMARY ASSEMBLY



#	DESCRIPTION	QTY.
1	Back	3
2	Left Side	2
3	Rear Leg	4
4	Shelf	15
5	Top/Bottom	6
6	Right Side	2
7	Door Frame Assembly	3

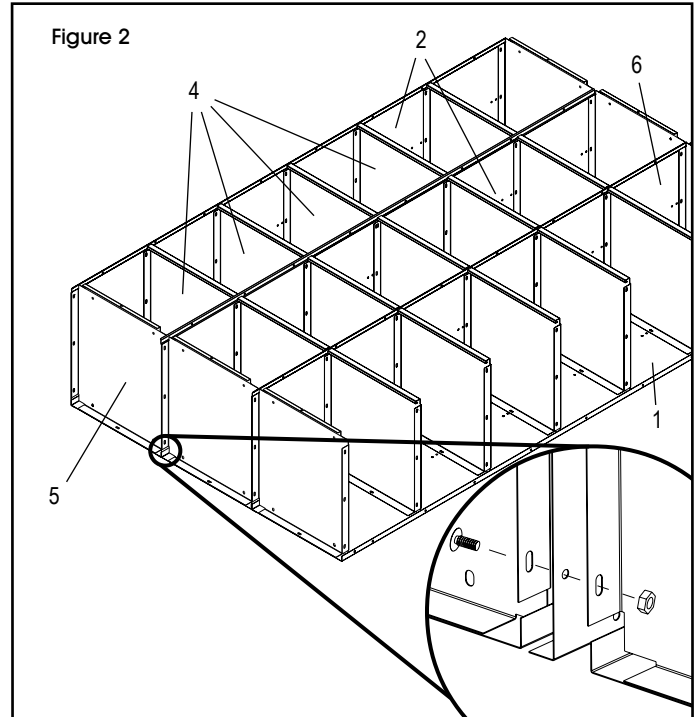
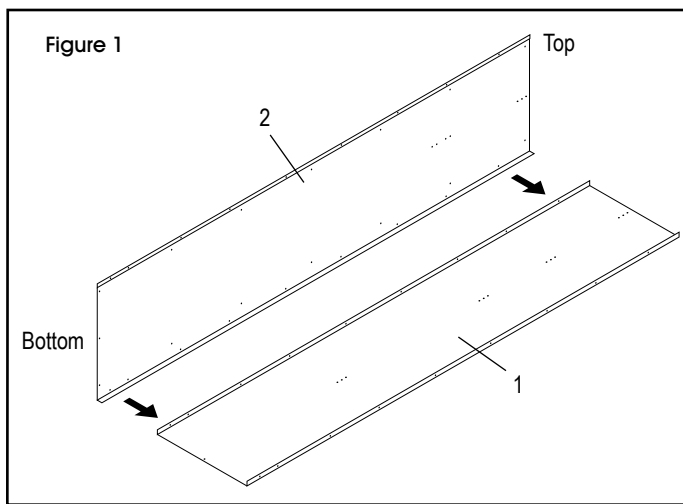
#	DESCRIPTION	QTY.
8	Locker Door	18
9	Number Plate & Clear Label cover	18
10	Push Plug	36
11	Finger Pull	18

# ASSEMBLY INSTRUCTIONS

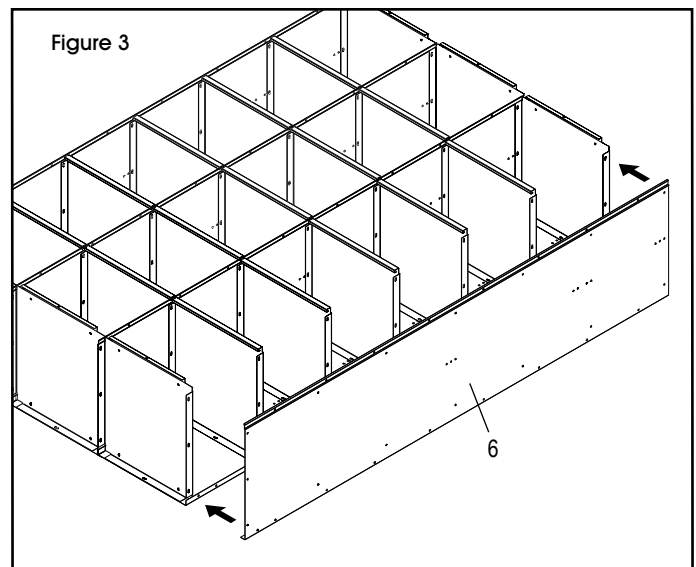


**NOTE: Do not tighten bolts until unit is completely assembled.**

1. Locate and separate the left and righthand sides. Identify the top of each panel. The top of each panel has three holes instead of one.
2. Place back (1) on a protected flat surface so that the flanges face upward.
3. Bolt left side (2) to the back so that side flange fits around back (use 7 bolts and nuts - nuts to the inside). Do not use bottom two holes; these will be used for attaching legs in step 7. (See Figure 1)



4. Next bolt top, bottom (5) and shelves (4) to back and left side panel (use 4 bolts and nuts each). Next bolt an intermediate side and back panel to the flange on the back of the first locker in 7 places. Next attach a top, bottom and intermediate top to the first intermediate side and back. These will share bolts with the parts on either side of them as shown in detail view. Next attach remaining intermediate side and back to flange of second back. Attach remaining top, bottom and shelves to the intermediate side. (See Figure 2)
5. Bolt right side (6) to the back so that side flange fits around back. Attach side to top, bottom and shelves. (See Figure 3)
6. Insert legs (3) into the corner between the bottom and the side. Bolt the leg to the side using two bolts and nuts per leg. (See Figure 4)



7. Place door and frame assemblies (7 & 8) over the locker body. Make certain that body sides are inside frames, not between the frames. Attach top to frame header and the bottom to frame sill (one bolt each). (See Figure 5)
8. Stand unit upright and place in desired location. Remove temporary bolts in frames and bolt to any adjacent units together through frames.

## ASSEMBLY CONTINUED

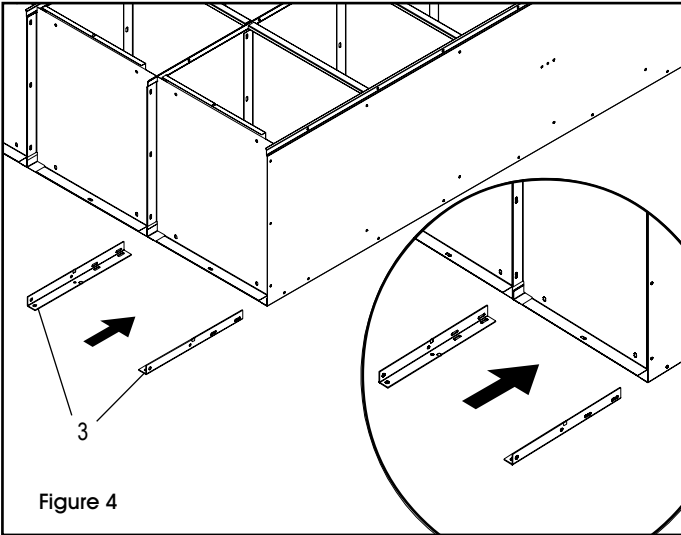


Figure 4

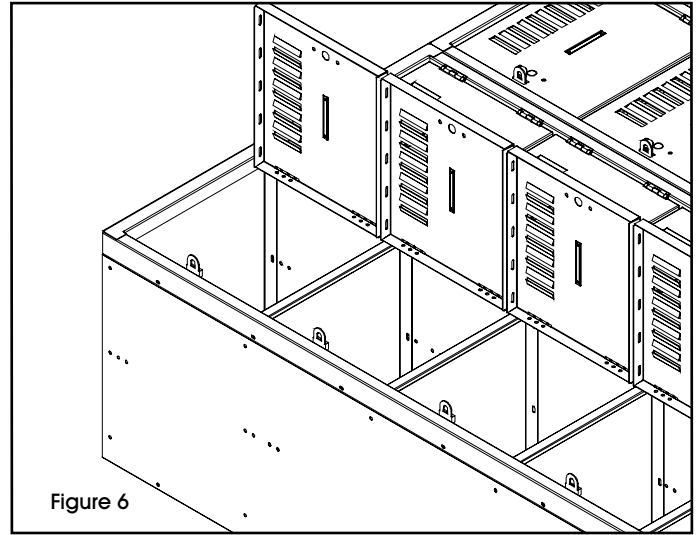


Figure 6

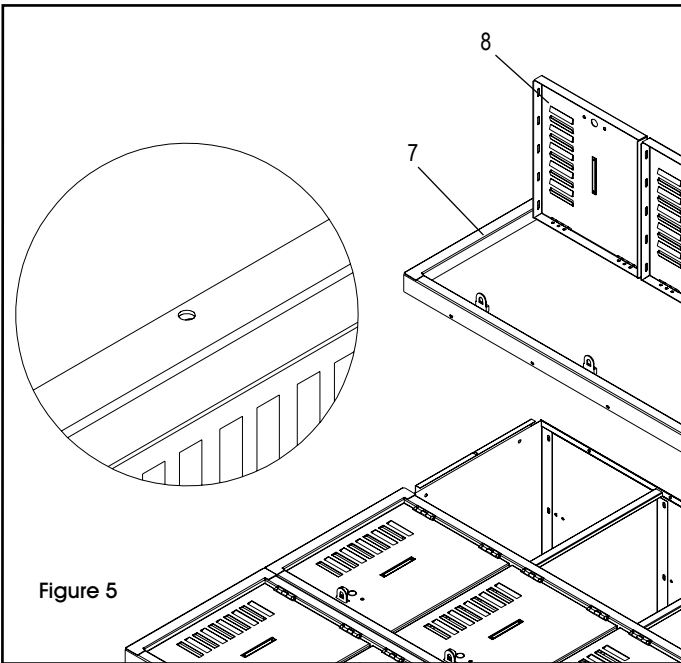


Figure 5

### JOINING UNITS TOGETHER

1. If joining a 3-wide unit beside another unit, temporarily install a bolt and nut into the third and sixth holes down from the top of the outer frame(s) that will be joined to the adjacent locker frame(s). (See Figure 6) The center locker frame can be bolted complete. If locker is just a stand alone 3-wide unit, finish attaching the frames using 38 bolts and nuts. Check and tighten all permanent bolts.

### SECURING UNITS

1. Anchor units to wall or floor. Units are not intended to stand free and may topple if not secured. (Units standing back to back should be bolted together.)



**CAUTION:** Care must be taken to assure that lockers are set plumb and true before anchoring.

2. If units are not pre-numbered, optional number plate and plastic cover (9) may be attached with two push plugs (10).



**NOTE:** If the temporary bolts are not removed before the frames are joined side by side, the frames will have a 1/8" gap between them.