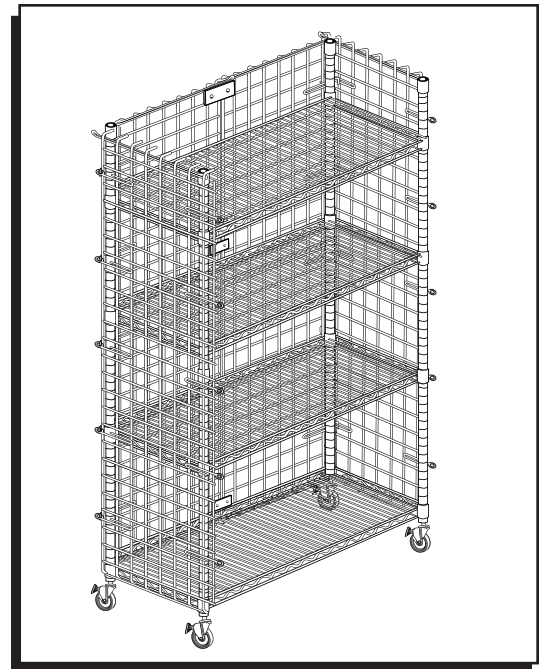


**ULINE** H-1789, H-1790, H-2082  
H-2653, H-2654, H-2655  
**STOCK PICKER CARTS**

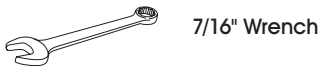
1-800-295-5510  
uline.com



**TOOLS NEEDED**



Rubber Mallet



7/16" Wrench

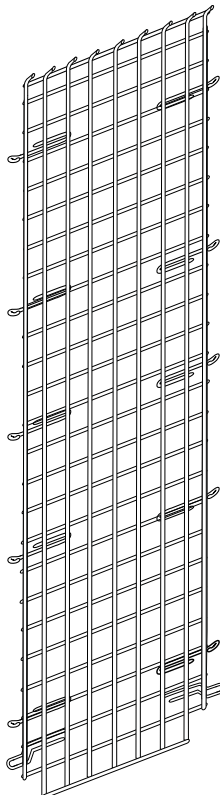
**PARTS LIST**

In addition to the 4 posts, 4 shelves, 4 inserts, 4 bolts and shelf supports from the Chrome Wire Shelving, this kit includes the following:

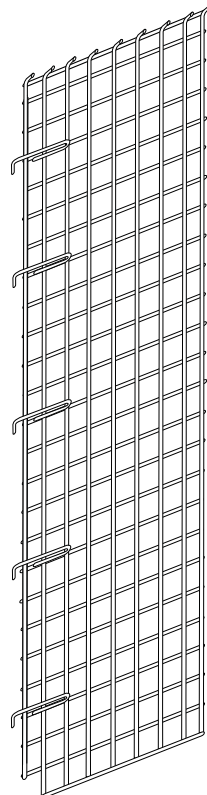
Caster x 4



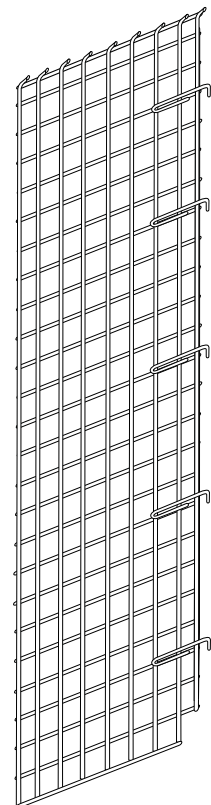
Side Panel x 2



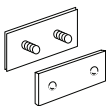
Back Left Panel x 1



Back Right Panel x 1



Back Panel  
Bracket x 4



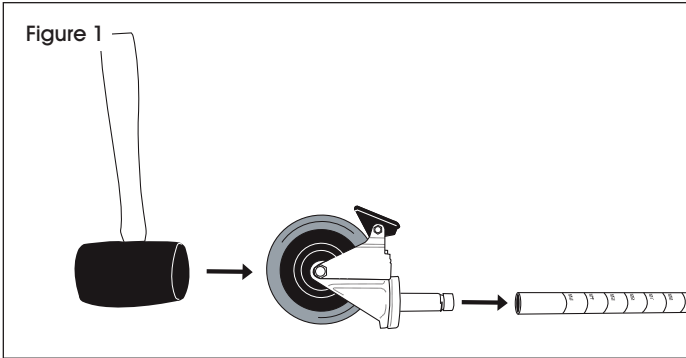
Nut x 8



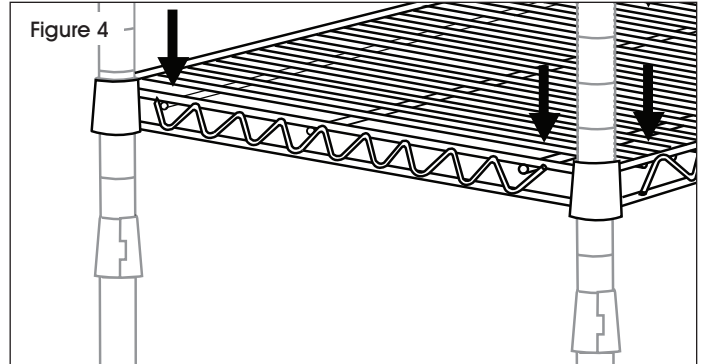
# ASSEMBLY INSTRUCTIONS

## INSTALL CASTERS

1. Make sure post is positioned as shown. (See Figure 1)
2. Engage the wheel brakes to keep casters from rolling during assembly. Use a rubber mallet to tap caster stem into posts. (See Figure 1)




3. Slide posts through underside of shelf until shelf slides firmly over shelf supports. (See Figure 3)
4. Stand unit upright. Gently tap shelf down to secure. (See Figure 4)



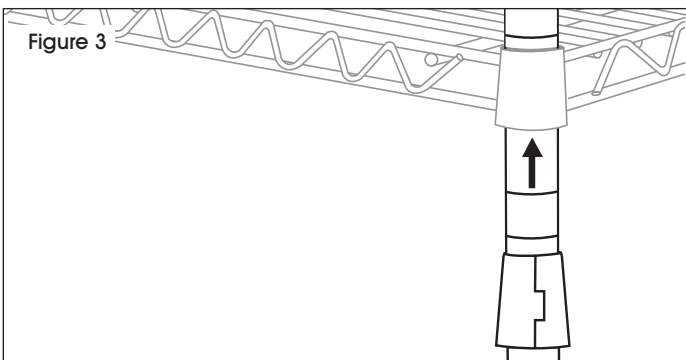
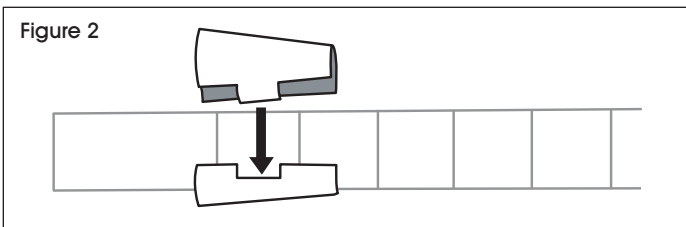
5. Determine the height of the next shelf, snap on shelf supports, then add and secure shelf. Repeat to add the remaining shelves.

## ASSEMBLE SHELVING UNIT

1. Start with the lowest shelf. Snap the interlocking pieces of a shelf support (wide end down) around the post at the lowest groove where shelf is to be located. (See Figure 2)

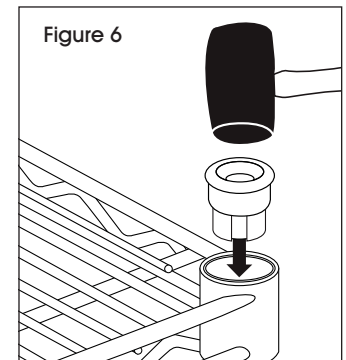
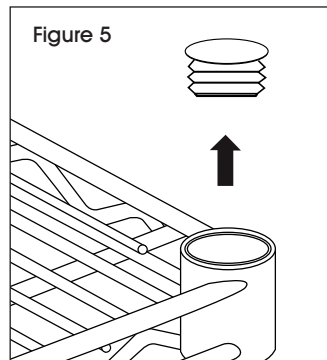
 **NOTE:** There are two ridges on the inside of each shelf support. The bottom shelf support ridge should be aligned with the lowest groove on the post.

2. Slide the shelf support up or down until it snaps into the groove. Add shelf supports to the same place on the remaining posts.



## ATTACH SIDE PANELS

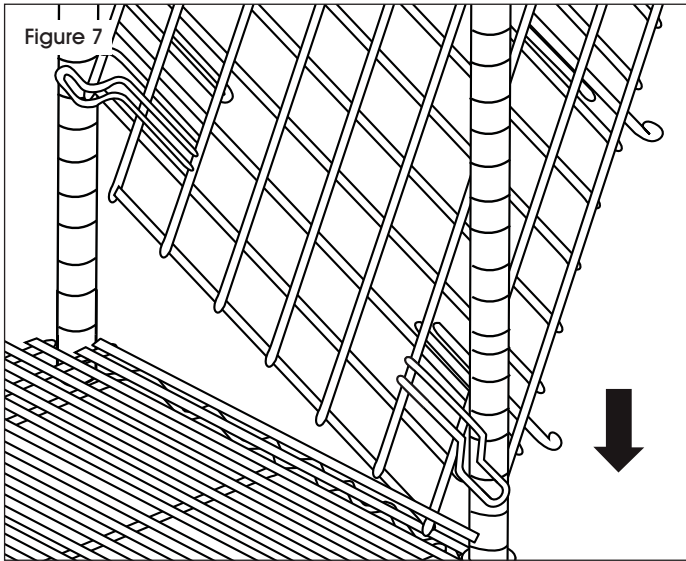
1. Remove the plastic top caps from all four posts. (See Figure 5)
2. Remove the cap and bolt from the inserts located in the post boxes.
3. Install the inserts into the holes where the plastic top caps were. Make sure insert is set all the way into the top of post. You may use a rubber mallet to secure the inserts. (See Figure 6)



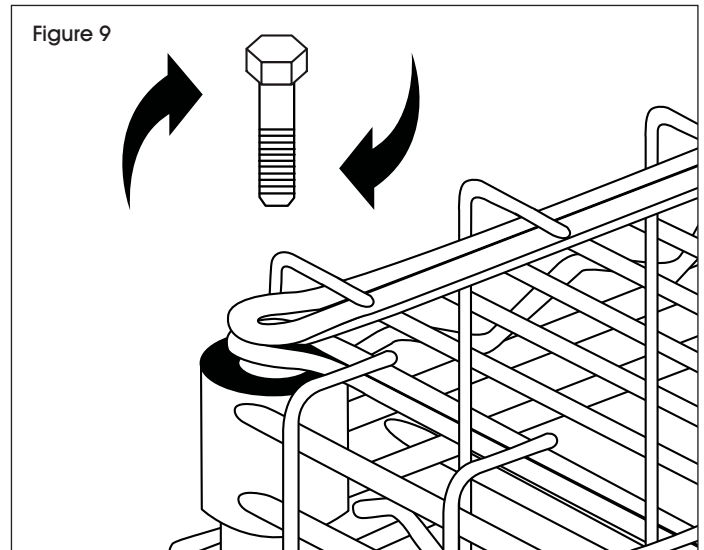
 **NOTE:** Do not screw in the bolts until all panels are installed.

## ASSEMBLY INSTRUCTIONS CONTINUED

4. Assemble the side panels with the loops on the top facing inward. Tilt the panel so it locks around the posts on both ends and then slide down so the loops are on top of the metal insert that was installed at the top of the post. (See Figure 7)
5. Repeat with other side panel.



3. After all the loops are lined up on top of the metal inserts on the top of the posts, screw in the bolt on all four posts and tighten using wrench. (See Figure 9)



4. Secure back panels with back panel brackets by attaching brackets at top and bottom of the back panels. Space third and fourth brackets evenly in the middle of the back panel. Install brackets through shelves for maximum security. (See Figure 10)

### ATTACH BACK PANELS

1. Assemble back left panel first. Place the wires facing downward into the loops on the side panel. (See Figure 8)
2. Repeat for the back right panel.

