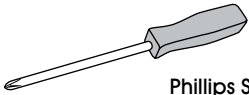


TOOLS NEEDED

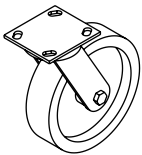


Phillips Screwdriver

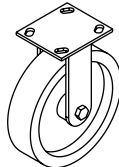


Rubber Mallet

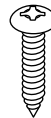
PARTS



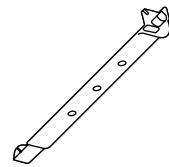
Swivel Caster x 2



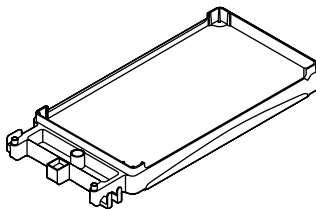
Rigid Caster x 2



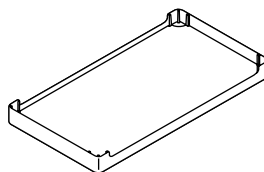
Screw x 28



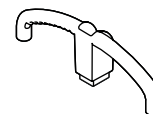
Support x 4



Top Shelf x 1

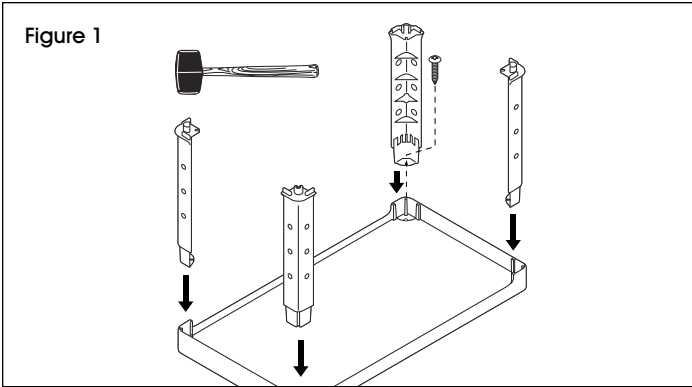


Bottom Shelf x 1

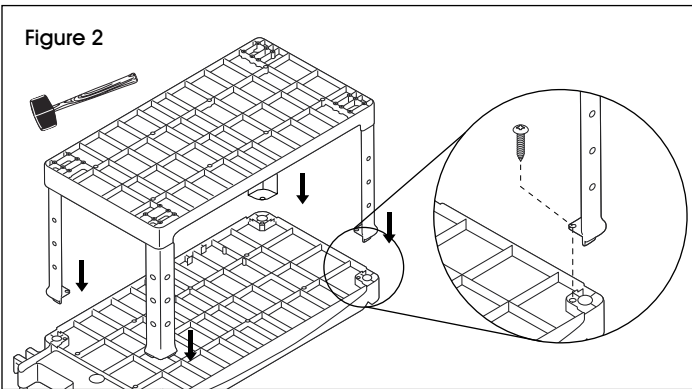


Handle x 1

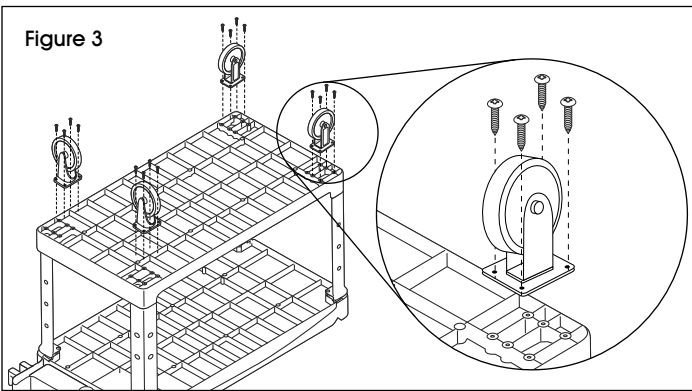
ASSEMBLY INSTRUCTIONS



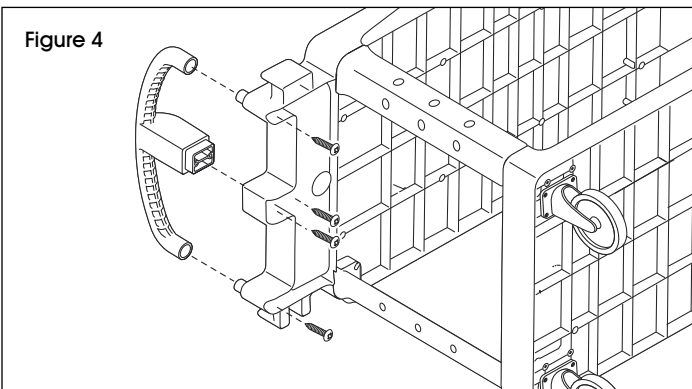
1. Tap supports into the top of the bottom shelf using the rubber mallet. Screw supports into place using four screws. (See Figure 1)



2. Flip bottom shelf over and tap bottom shelf and supports into underside of top shelf using rubber mallet. Screw supports into place using four screws. (See Figure 2)



3. Screw the casters into the underside of the bottom shelf using sixteen screws. Attach rigid casters at the front of the cart and swivel casters at the rear. (See Figure 3)



4. Turn the cart onto its side and attach the handle to the top shelf using four screws. (See Figure 4)