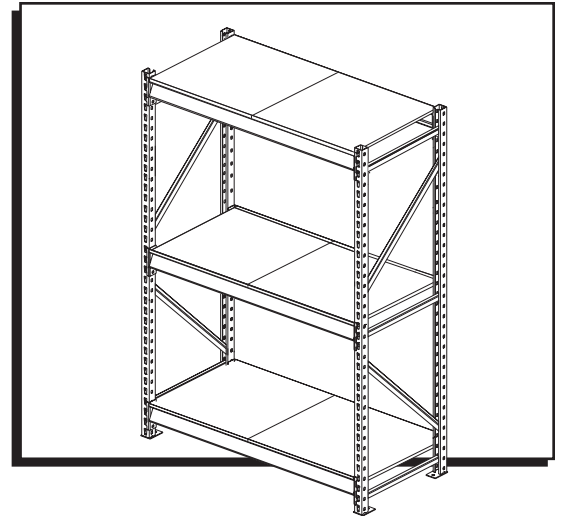


ULINE

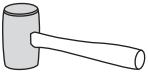
BULK STORAGE RACKS

1-800-295-5510

uline.com



TOOLS NEEDED



Rubber Mallet (Optional)



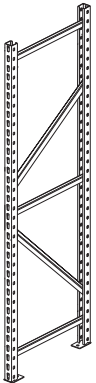
Boltless Assembly



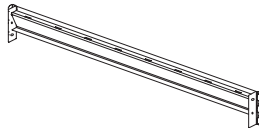
Two Person Assembly (Optional)

PARTS

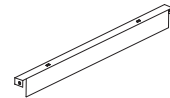
Upright x 2
(Add-On Unit x 1)



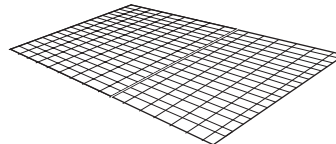
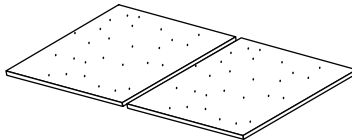
Shelf Beam x 6



Shelf Support x 12



Board or Wire x 3 (or 6)



NOTE: Boards and wire come as two pieces for 96" wide racks.

ASSEMBLY INSTRUCTIONS FOR STARTER UNIT

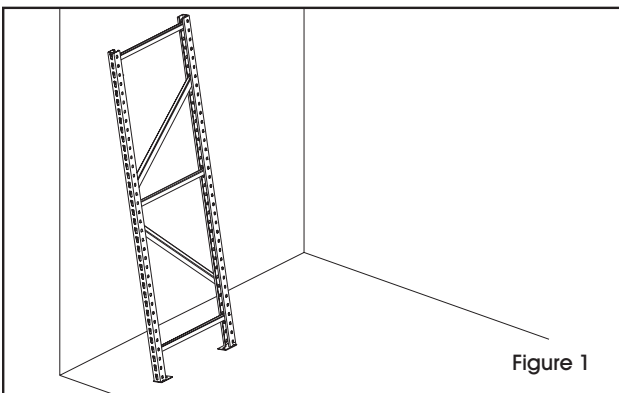
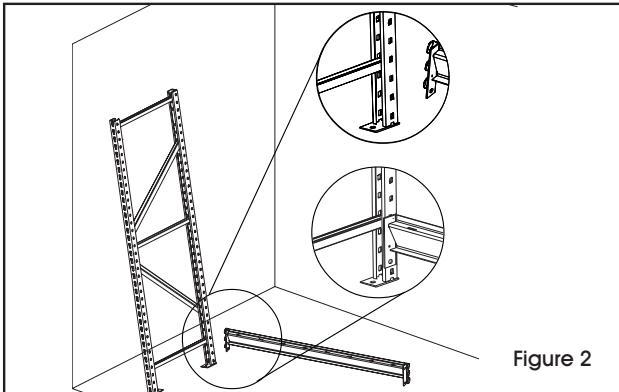


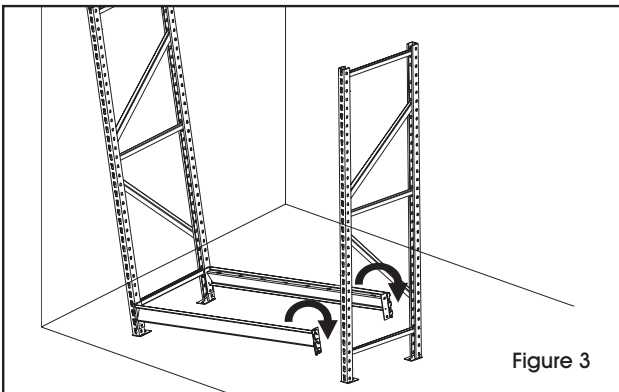
Figure 1

1. Lean upright against wall or assemble with another person. (See Figure 1)


ASSEMBLY INSTRUCTIONS FOR STARTER UNIT CONTINUED



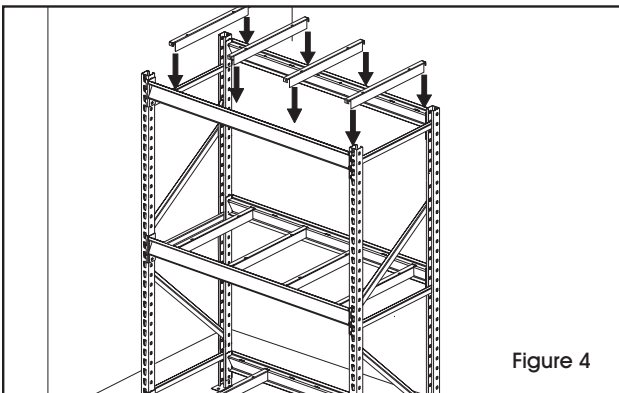
2. Attach the shelf beams by hooking them into the holes in the front and back of the upright. (See Figure 2)



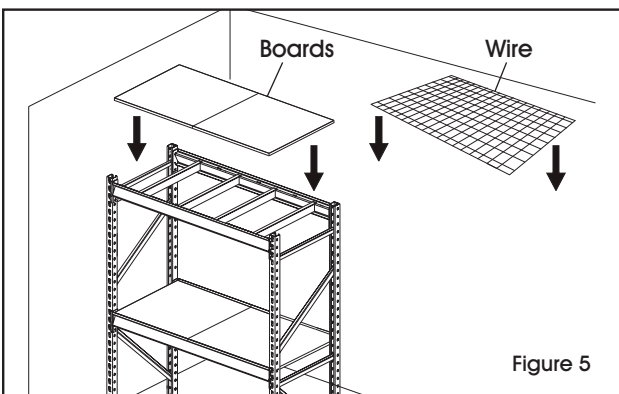
3. Holding the second upright in place, lift and hook the shelf beams into place. (See Figure 3)

 **NOTE:** Be sure the shelf beams are fully seated at the same height before continuing with assembly.

4. Hook the remaining shelf beams to the uprights.

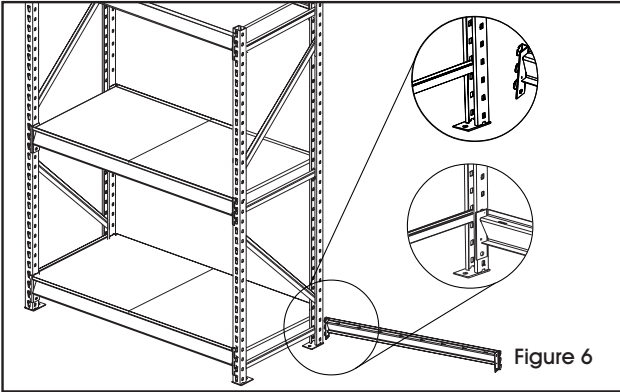


5. Attach 4 shelf supports per beam by inserting the flanges into the shelf beam slots. (See Figure 4)

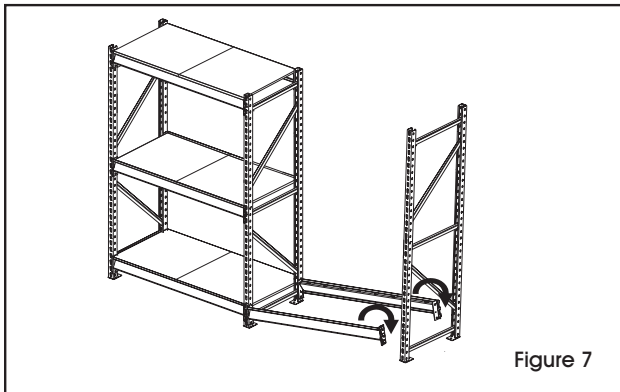


6. Set boards or wire in place on top of shelf beams and shelf supports. (See Figure 5)


ASSEMBLY INSTRUCTIONS FOR ADD-ON UNIT



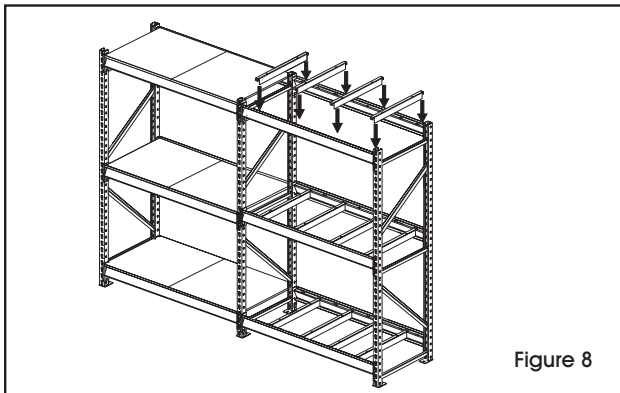
7. Attach the shelf beams to the starter unit by hooking them into the holes in the front and back of the starter unit upright. (See Figure 6)



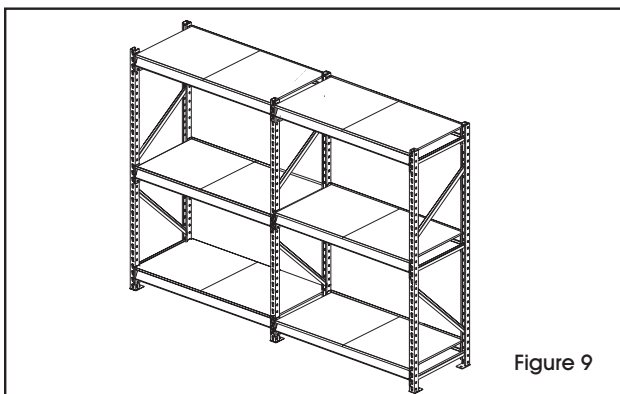
8. Holding the third upright in place, lift and hook the shelf beams into place. (See Figure 7)

 **NOTE:** Be sure the front and back shelf beams are fully seated at the same height before continuing with assembly.

9. Hook the remaining shelf beams to the uprights.



10. Attach 4 shelf supports per beam by inserting the flanges into the shelf beam slots. (See Figure 8)



11. Set boards or wire in place on top of shelf beams and shelf supports. (See Figure 9)