



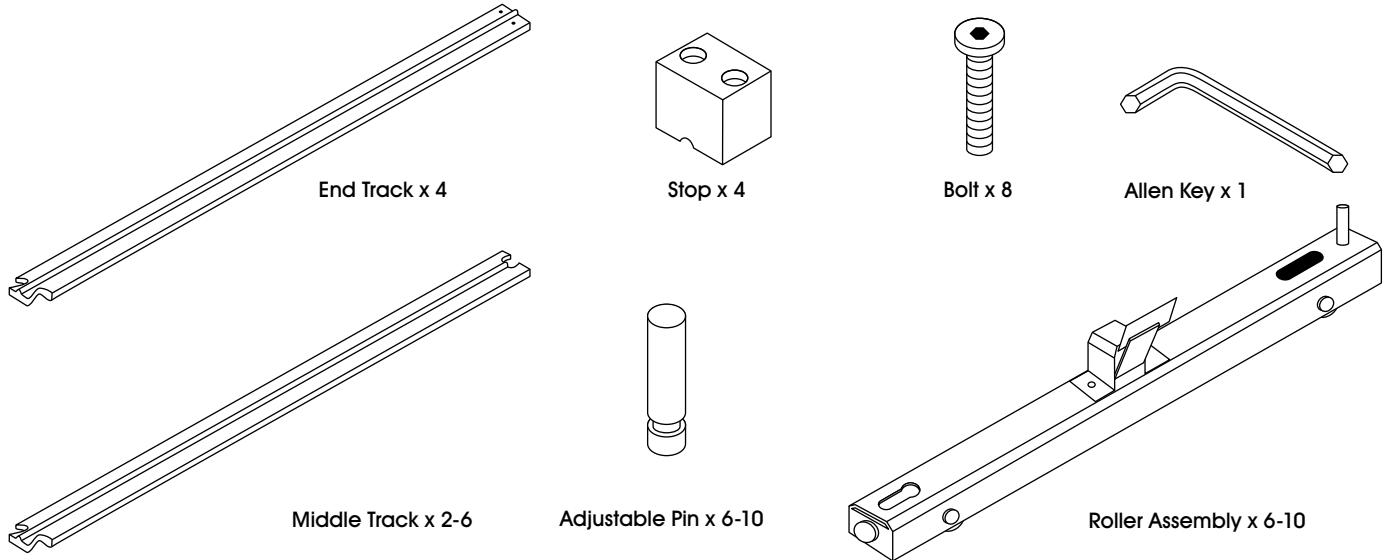
H-2901, H-2902, H-2903  
 H-2904, H-2905, H-2906  
 H-2907, H-2908

1-800-295-5510  
 uline.com

# SLIDING STORAGE SHELVES

## PARTS

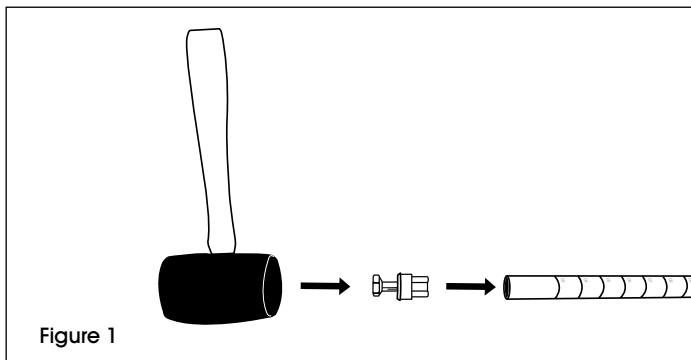
In addition to the posts, shelves, levelers and shelf supports from the Adjustable Open Wire Shelving, this kit includes the following:



## ASSEMBLY

### SHELVING UNIT

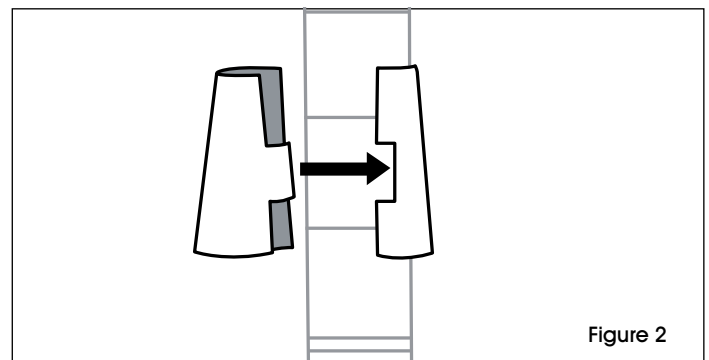
1. Make sure post is positioned as shown. (See Figure 1)
2. Use a rubber mallet to tap levelers into posts. (See Figure 1)
3. Unscrew and remove the bolts from the levelers.



4. Start with the lowest shelf. Snap the interlocking pieces of a shelf support (wide end down) around the post at the lowest groove where shelf is to be located. Slide the support up or down until it snaps into the groove. Add a shelf support to the same place on the remaining posts. (See Figure 2)

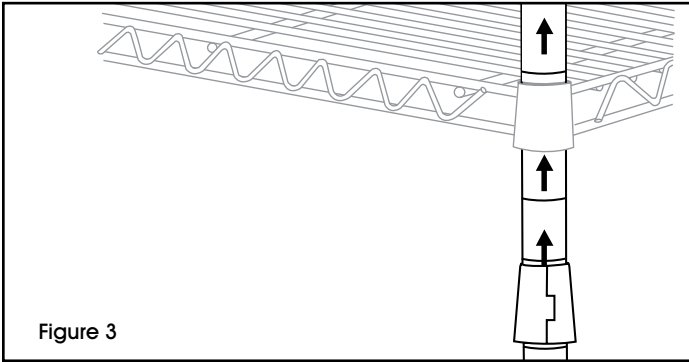


**NOTE:** NSF requires food service applications to keep the lowest shelf at least 6" above the floor.

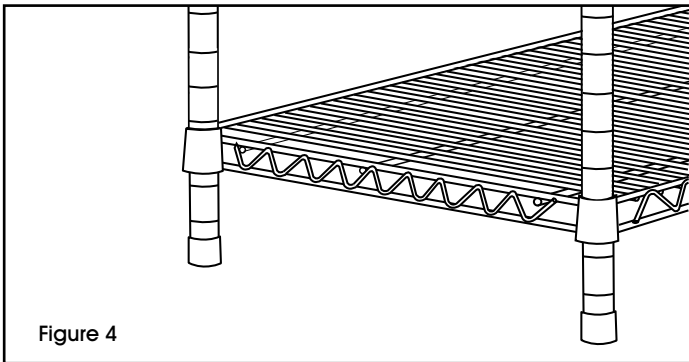


## ASSEMBLY CONTINUED

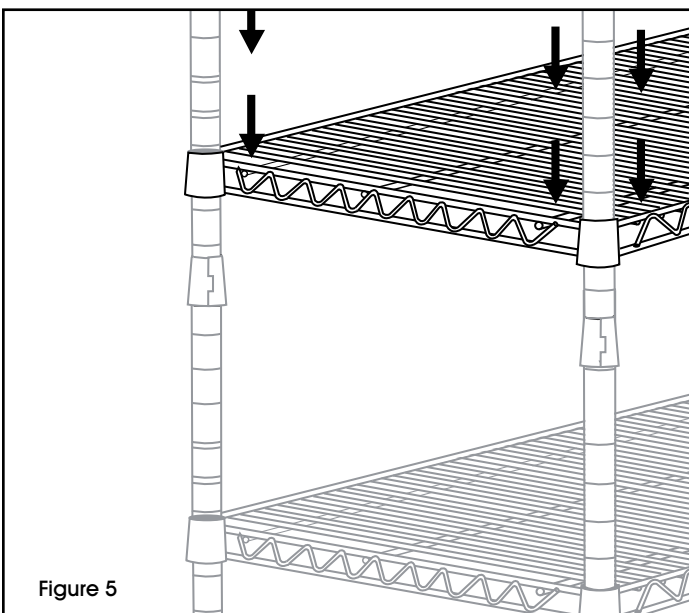
- Slide posts through underside of shelf until shelf slides firmly over supports. (See Figure 3)



- Stand unit upright. Gently tap shelf down to secure it. (See Figure 4)

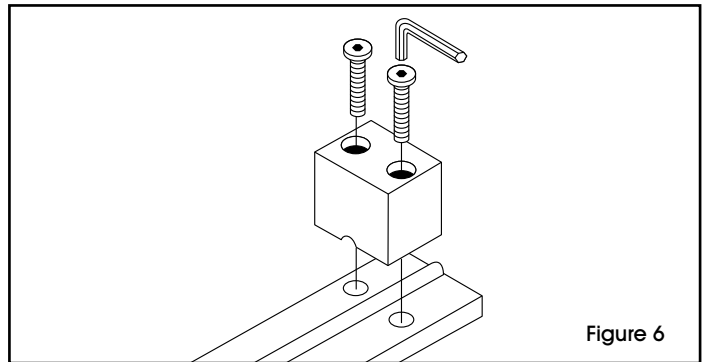


- Determine the height of the next shelf, snap on supports then add and secure shelf. Repeat this step to add the remaining shelves. (See Figure 5)

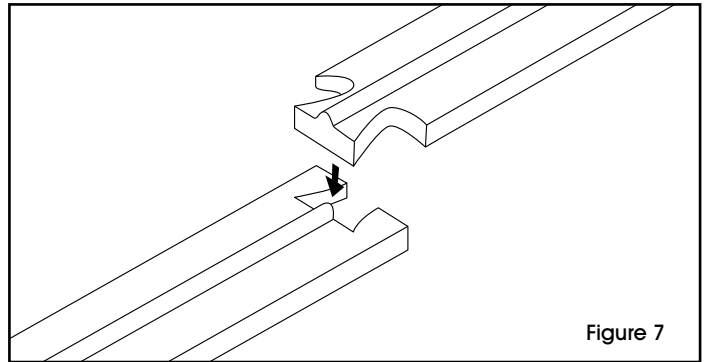


## SLIDING TRACK

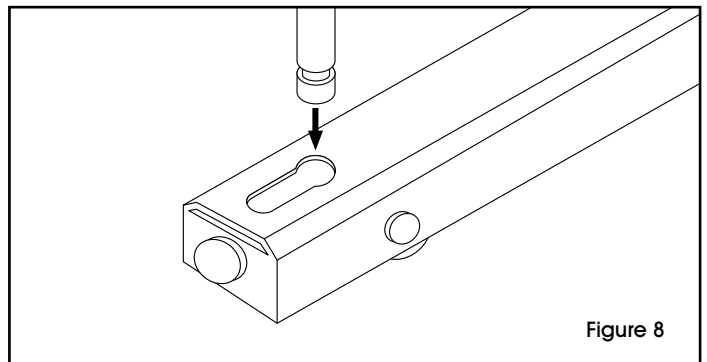
- Attach stops to the ends of the tracks using two bolts. (See Figure 6)



- Place end track in desired location and connect track segments. (See Figure 7)



- Insert pins into roller assemblies. (See Figure 8)

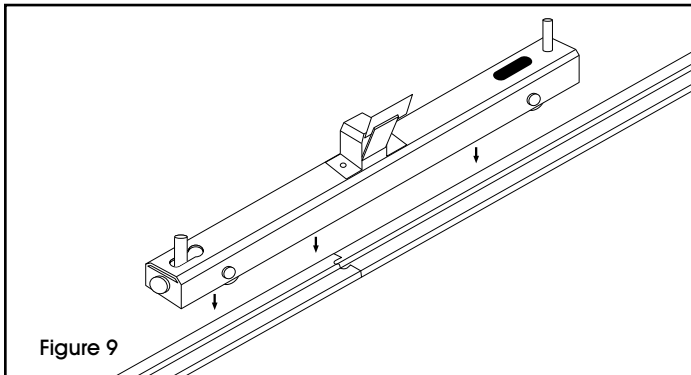


## ASSEMBLY CONTINUED

4. Place roller assemblies on track. (See Figure 9)



**NOTE:** Roller brake should face outwards.



5. Carefully place the shelving units on the pins of the roller assemblies. Pins should fit inside the inserts in the bottoms of the posts. (See Figure 10)

