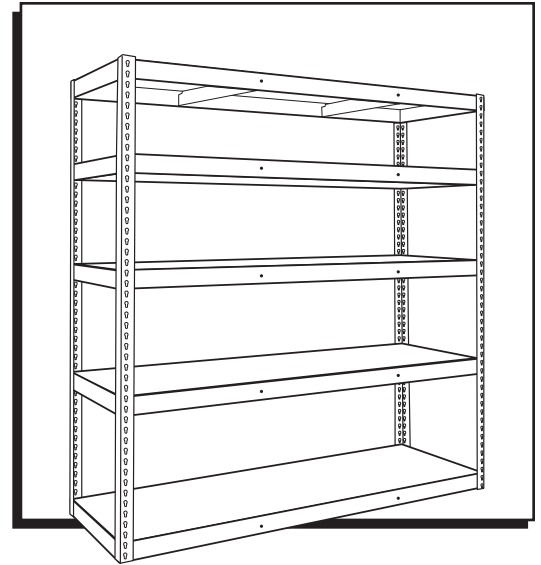
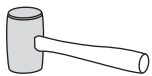


ULINE HEAVY-DUTY STEEL SHELVING

1-800-295-5510
uline.com



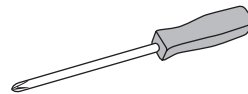
TOOLS NEEDED



Rubber Mallet



7/16" Wrench



Phillips Head Screwdriver

PARTS LIST

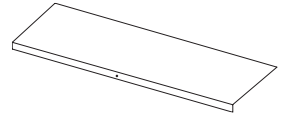
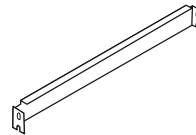
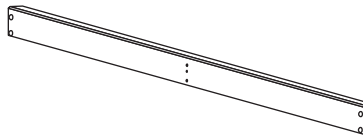
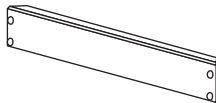
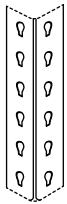
Upright Post x 4 (A)

Side Support x 10 (B)

Front/Back Support x 10 (C)

Shelf Support x 5 or 10 (D)

Steel Shelf x 5 (E)



ASSEMBLY

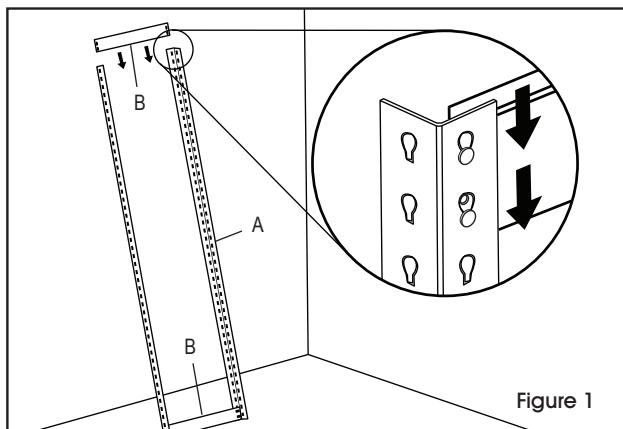


Figure 1



NOTE: Lean posts against wall or assemble with another person.

1. Connect two upright posts (A) by inserting a side support (B) at the top and bottom of the posts. (See Figure 1)
Repeat step one for the other two upright posts.

ASSEMBLY (CONTINUED)

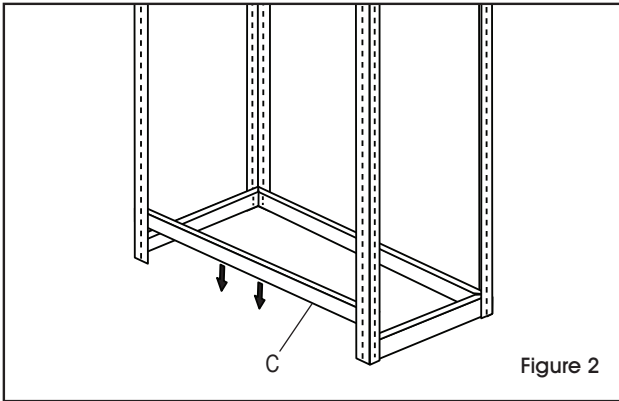


Figure 2

2. Connect the two upright post assemblies by inserting front/back supports (C) at the bottom of the upright posts. (See Figure 2)



NOTE: Be sure the supports are fully seated before continuing with assembly.

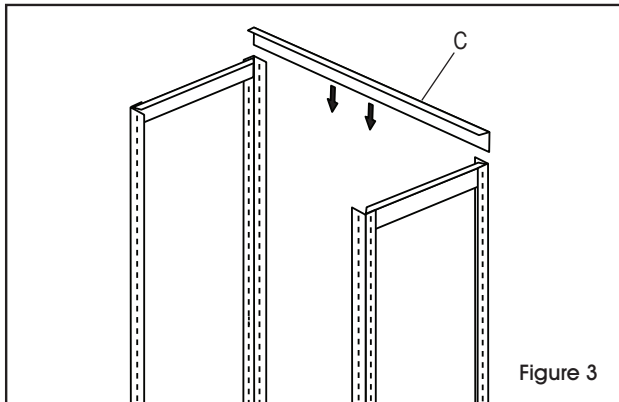


Figure 3

3. Connect the top of the two upright post assemblies by inserting one front/back support (C). (See Figure 3)



NOTE: It is important that one front/back support be temporarily left off in order to later insert the second from the top shelf.

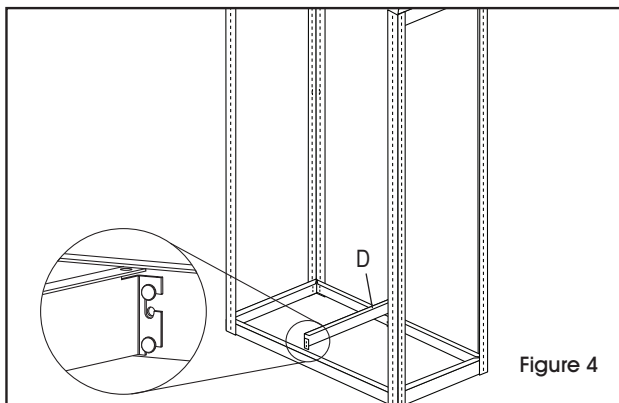


Figure 4

4. Attach shelf support (D) at bottom level by placing the keyhole slots (on shelf support) over the rivets (on front/back support) and tapping them into place. (See Figure 4)

Recommended number of shelf supports per shelf are as follows:

36" / 48" W—1 Shelf Support

72" W—2 Shelf Supports

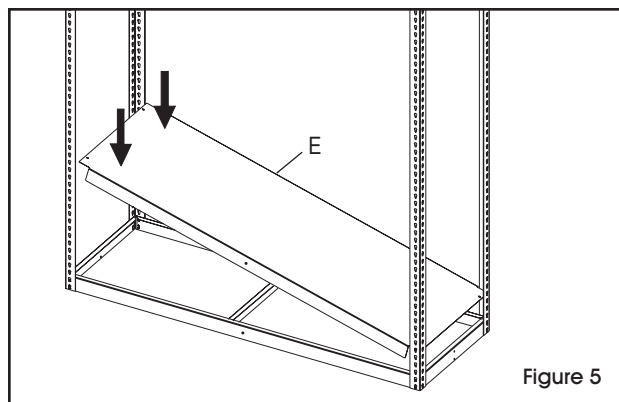
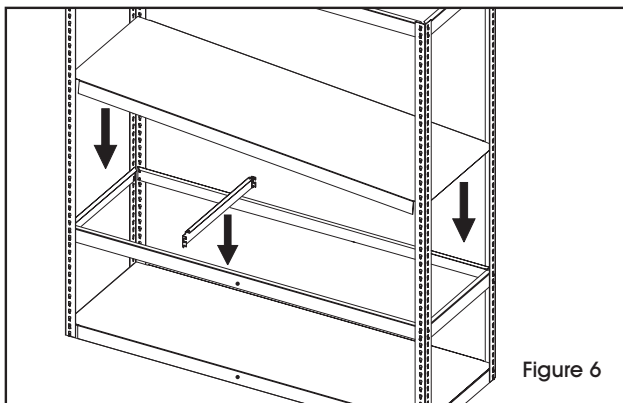


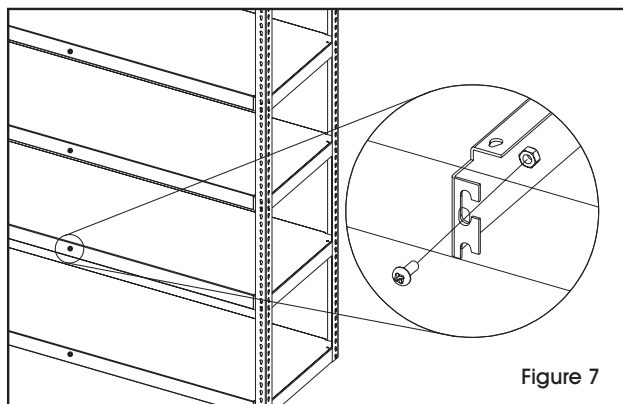
Figure 5

5. Lay the bottom steel shelf (E) on the shelf support so that the front and back edges overlap the front/back supports. (See Figure 5)

ASSEMBLY (CONTINUED)



6. Attach front/back supports at the desired next level. Attach shelf support, then lay the steel shelf on the shelf support. (See Figure 6)
Repeat step 6 for the next 2 shelves.



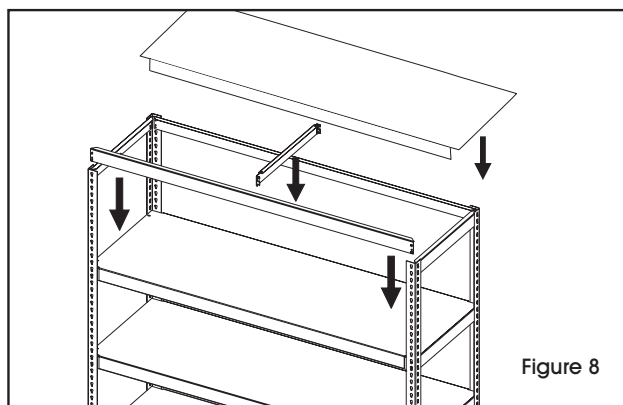
7. Once the shelves are in place, secure the shelves with nuts and bolts. Tighten securely. (See Figure 7)



NOTE: Bottom shelf does not require nuts and bolts.



NOTE: Insert bolts in both the front and rear of the unit. Ensure bolts go through the shelf, shelf support, and front/back support.



8. Attach remaining front/back support and shelf support. Lay the last steel shelf on the shelf supports. Secure shelf with nuts and bolts. (See Figure 8)