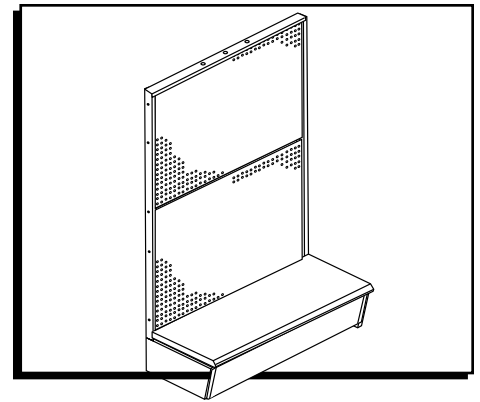


ULINE H-3867
ECONOMY
GONDOLA SHELVING

1-800-295-5510
 uline.com



ASSEMBLY INSTRUCTIONS

Figure 1

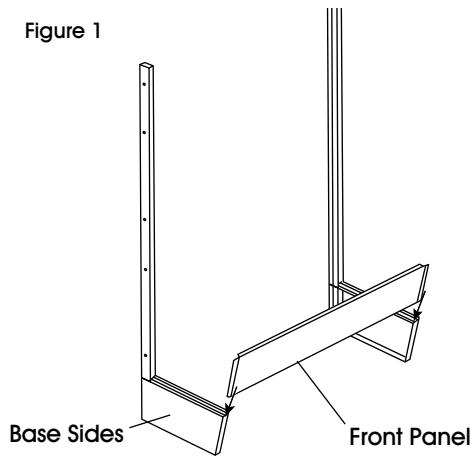


Figure 2

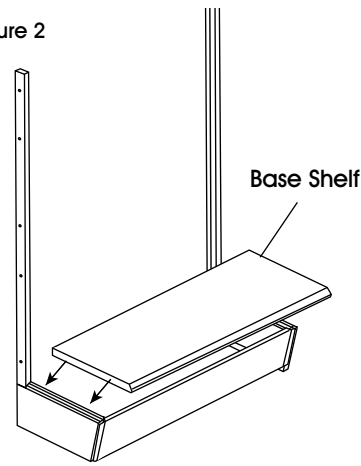
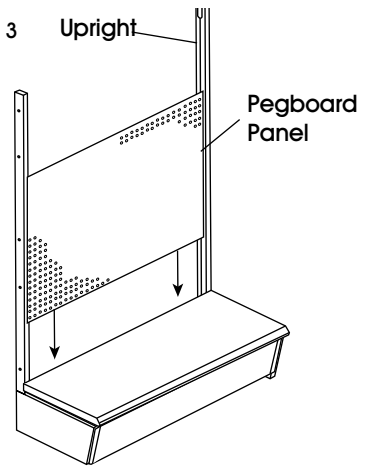


Figure 3



1. Insert front panel into base as shown. (See Figure 1)

2. Place the bottom shelf on the base sides. (See Figure 2)

3. Insert one of the two pegboard panels into the track in the uprights and slide down until it rests in the channel in the back of the base shelf. (See Figure 3)

Figure 4

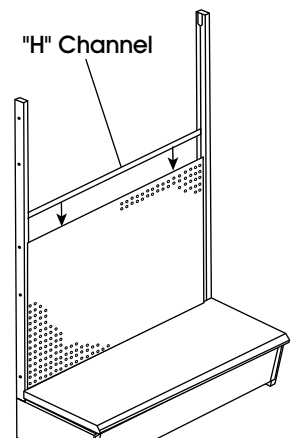


Figure 5

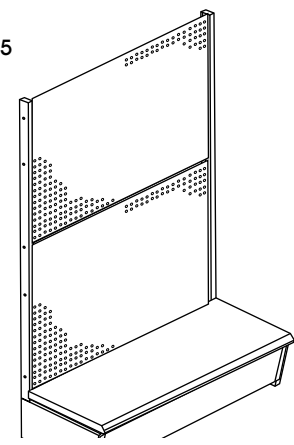
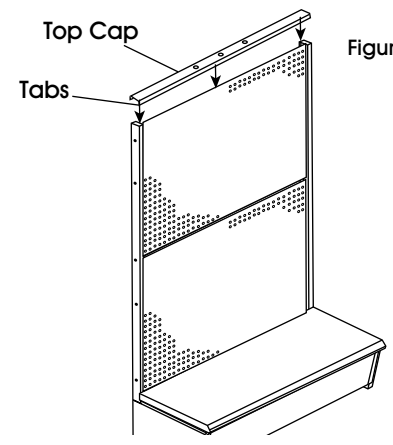


Figure 6



4. Place the "H" channel on top of pegboard panel. (See Figure 4)

5. Insert the second pegboard panel. (See Figure 5)

6. To attach top cap, bend front and back tabs down to the correct position and place over the top of the unit as shown. (See Figure 6)