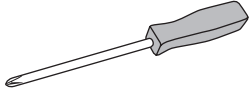


ULINE H-4265, H-4266
H-4267

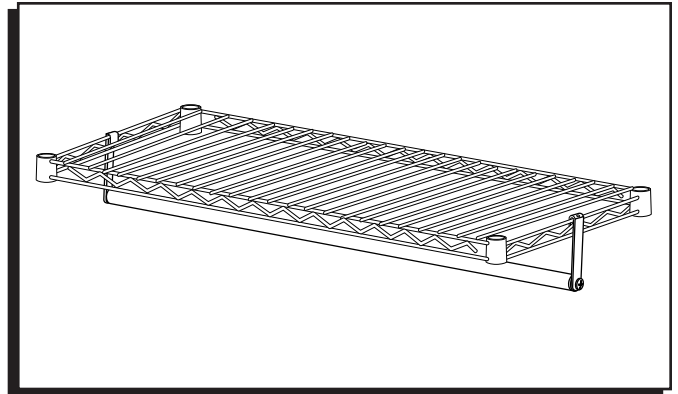
WIRE SHELVING HANGING BARS

1-800-295-5510
uline.com

TOOLS NEEDED



Phillips Screwdriver



PARTS



Hanging Bar x 1



Hanging Hook x 2



Bolt x 2



Lock Washer x 2

ASSEMBLY INSTRUCTIONS

1. Attach one hanging hook to each end of the hanging bar using the lock washer and bolt. (See Figure 1)
2. Slide hooks over the wire shelving ledge and pull down to secure. (See Figures 2 and 3)

