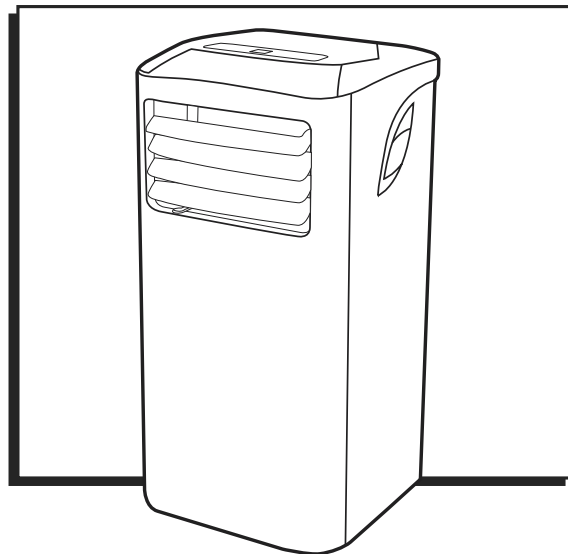


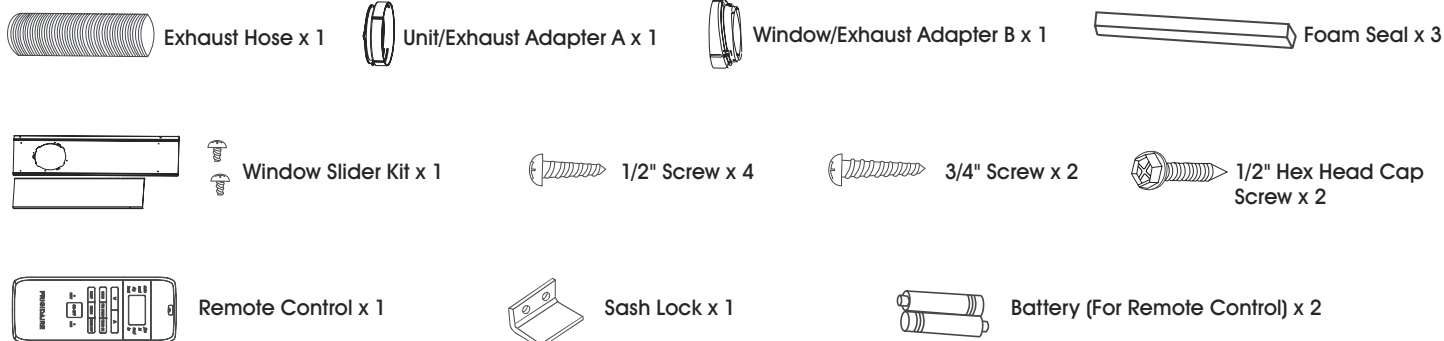
ULINE H-5274

PORTABLE AIR CONDITIONER

1-800-295-5510
uline.com




ACCESSORIES INCLUDED




 **NOTE:** Check that all accessories are included in the package and refer to installation instructions for usage.

SAFETY

 **WARNING!** Read this section before attempting to operate air conditioner. Unit must be upright one hour prior to operating.

The power supply cord contains a current device that senses damage to the cord. To test your power cord, do the following:

1. Plug in the air conditioner.
2. The cord will have two buttons on the plug head. Press the **TEST** button. You will notice a click as the **RESET** button pops out.
3. Press the **RESET** button. Again, you will notice a click as the button engages. (See Figure 1)
4. The power cord is now supplying electricity to the unit.

 **NOTE:** Do not use this device to turn the unit on or off. Always ensure the **RESET** button is pushed in for correct operation. The power cord must be replaced if it fails to reset when either the **TEST** button is pushed or if it cannot be reset. If power supply cord is damaged, it cannot be repaired. It must be replaced. Contact Uline Customer Service for assistance at 1-800-295-5510.

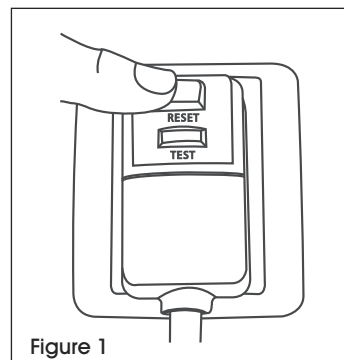


Figure 1

NORMAL SOUNDS

Sound of Rushing Air

At the front of the unit, you may hear the sound of rushing air being moved by the fan.

High-pitched Chatter

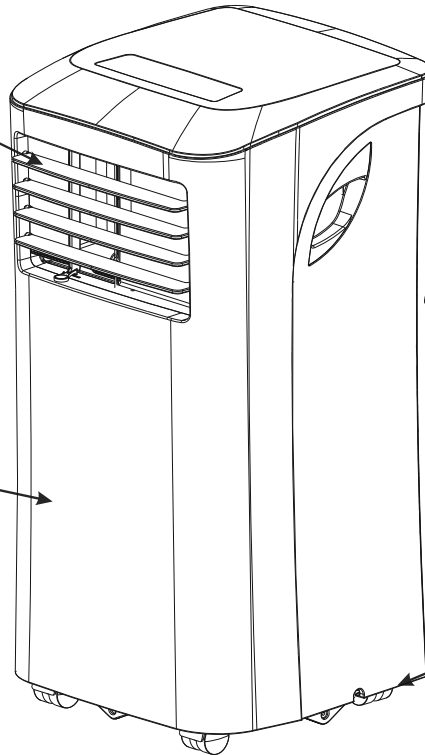
Today's high efficiency compressors may have a high-pitched chatter during the cooling cycle.

Gurgle/Hiss

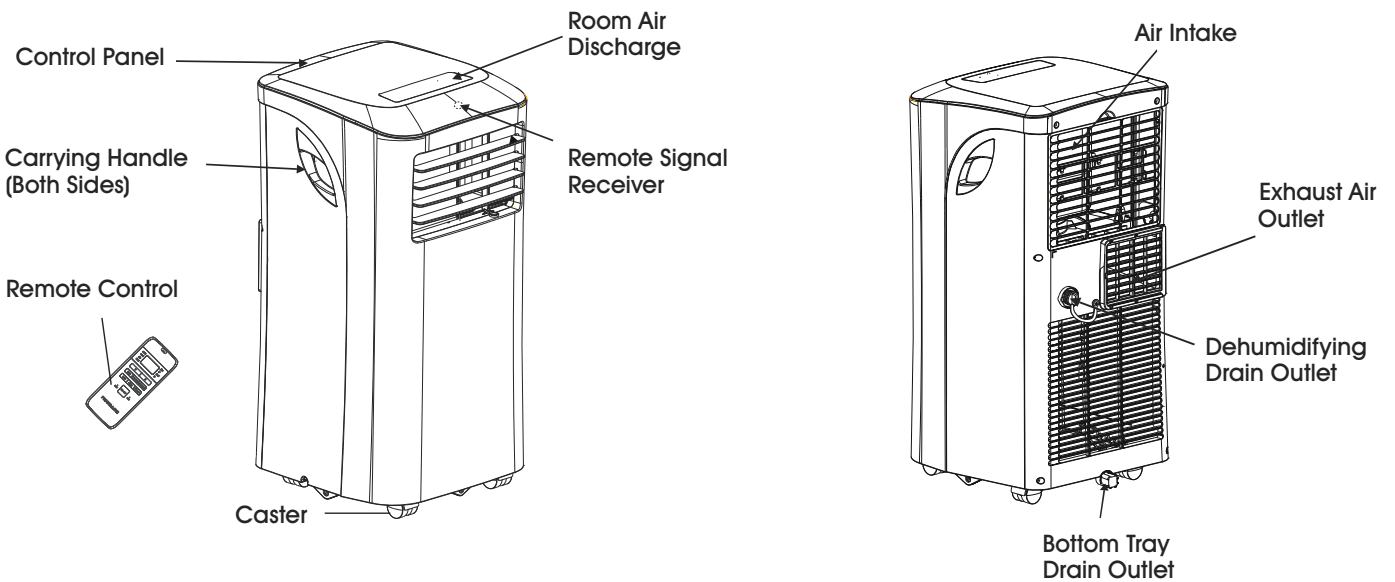
Gurgling or hissing may be heard due to refrigerant passing through evaporator during normal operation.

Vibration

Unit may vibrate and make noise because of uneven floor.



COMPONENTS



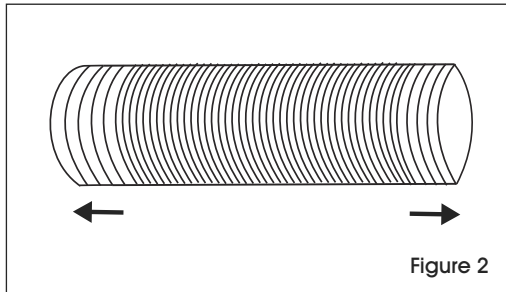
INSTALLATION

EXHAUSTING HOT AIR

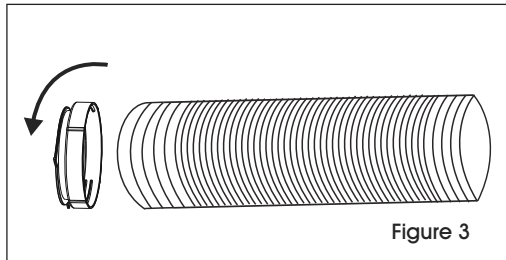
In cooling mode, the appliance must be placed close to a window or opening so that the warm exhaust air can be ducted outside.

Position unit on a flat floor. Ensure there is a minimum of 12" clearance around the unit and that it is within the vicinity of a single circuit outlet power source.

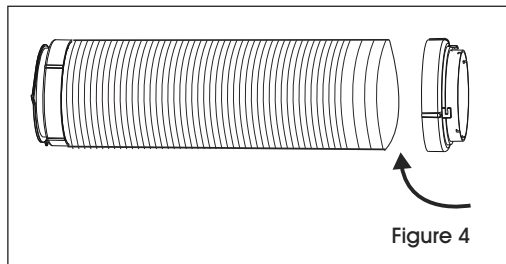
1. Extend either side of the hose. (See Figure 2)



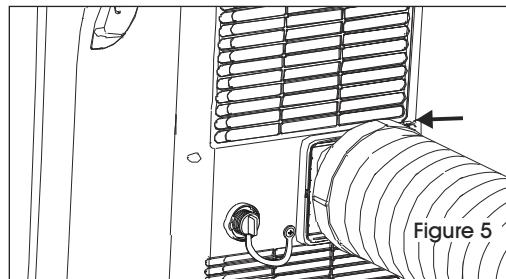
2. Screw the hose onto adapter A. (See Figure 3)



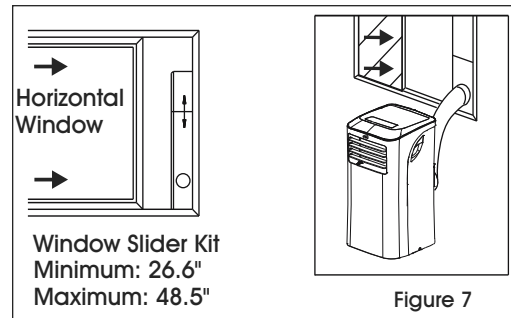
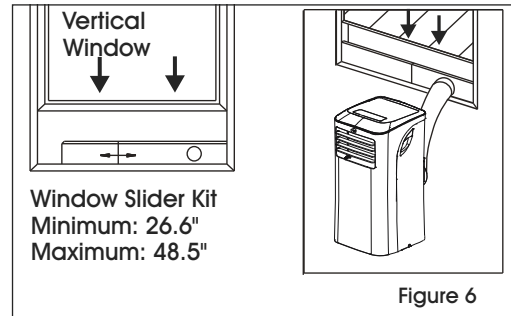
3. Extend the other side of the hose and screw it to adapter B. (See Figure 4)



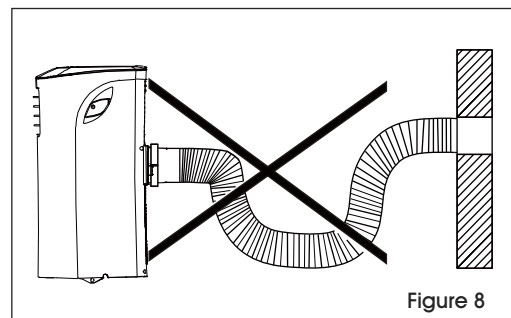
4. Slide the assembly onto unit. (See Figure 5)



5. Affix adapter B into the window slider kit and seal. (See Figures 6 and 7)



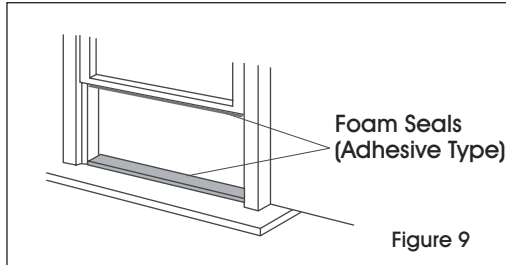
NOTE: The hose can be extended from its original length of 15" up to 59", but it is the best to keep the length to the minimum required. Ensure that the hose does not have any sharp bends or sags. (See Figure 8)



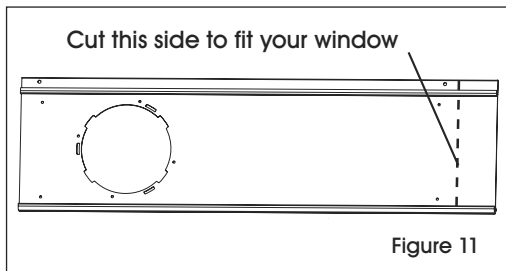
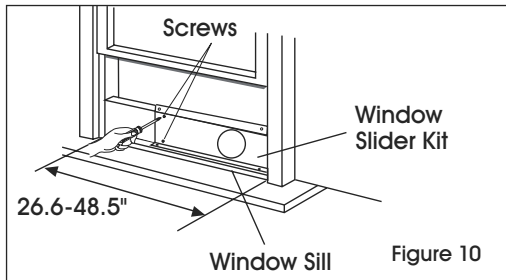
INSTALLATION CONTINUED

INSTALLATION IN A DOUBLE HUNG SASH WINDOW

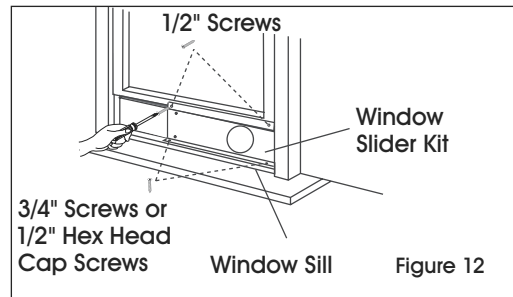
1. Cut the adhesive-type foam seals to the proper lengths and attach them to the window and sill. (See Figure 9)



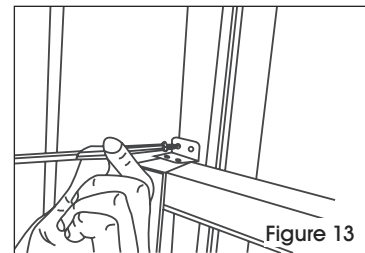
2. Open the lower sash and place the window slider kit on the window sill. (See Figure 10) Adjust the length of the window slider kit according to the width of window. Screw down the two screws on the window slider kit. (See Figure 10)
3. Cut the adjustable window slider kit if the width of window is less than 26.6". (See Figure 11)




4. Close the lower sash securely against the window slider kit. (See Figure 12)
5. Drive two 1/2" screws to secure the window slider kit to the lower sash. (See Figure 12)
6. Secure the window slider kit to the window sill.
(See Figure 12)
 - a. For wooden windows, use 3/4" screws for securing.
 - b. For vinyl-clad windows, use 1/2" hex head cap screws for securing.

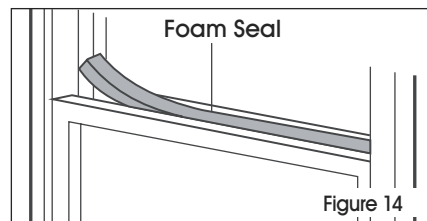


7. To secure lower sash in place, attach sash lock with 1/2" screw. (See Figure 13)



 **NOTE:** It is difficult to lock vinyl-clad windows with the sash lock, so lock by window itself.

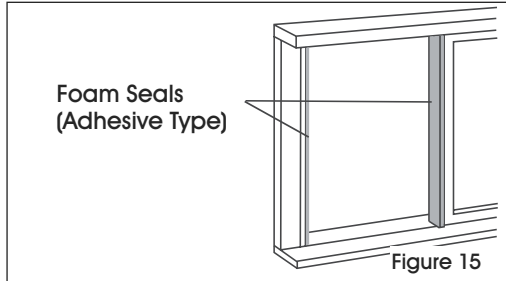
8. Cut the foam seal to an appropriate length and seal the open gap between the top window sash and outer window sash. (See Figure 14)



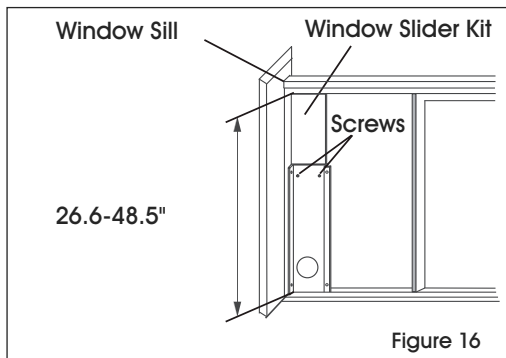
INSTALLATION CONTINUED

INSTALLATION IN A SLIDING SASH WINDOW

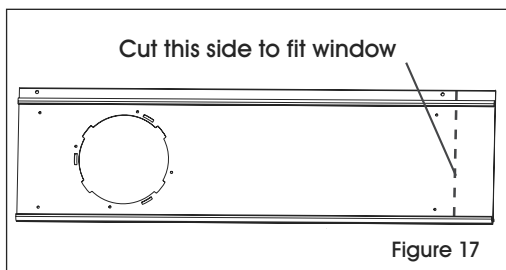
1. Cut the adhesive type foam seals to the proper lengths and attach them to the window frame. (See Figure 15)



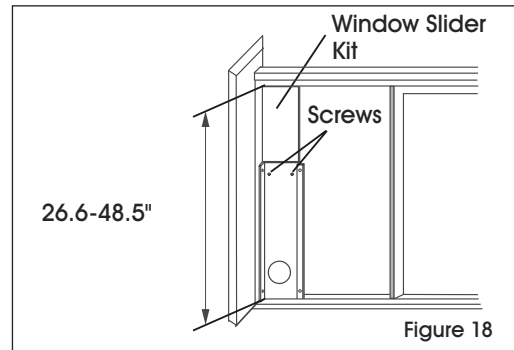
2. Open the window sash and place the window slider kit on the window sill. (See Figure 16) Attach the window slider kit to the window sill. Adjust the length of the window slider kit according to the height of the window. Screw down the two screws on the window slider kit. (See Figure 16)



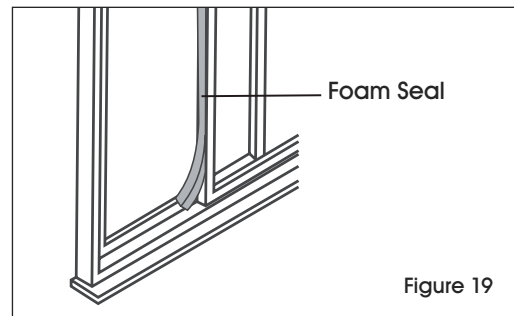
3. Cut the adjustable window slider kit if the height of the window is less than 26.6". (See Figure 17)



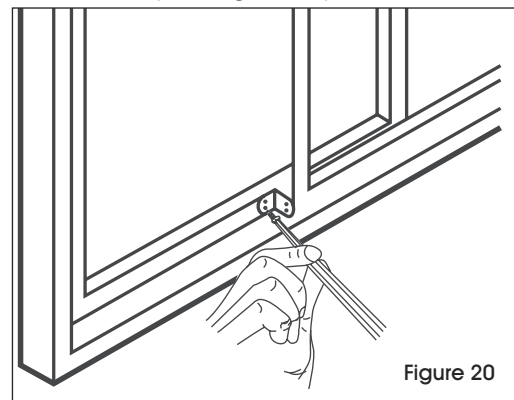
4. Close the sliding sash securely against the window slider kit. (See Figure 18)
5. Secure the window slider kit to the window sill. (See Figure 18)
 - a. For wooden windows, use 3/4" screws for securing.
 - b. For vinyl-clad windows, use 1/2" hex head cap screws for securing.



6. Cut the foam seal to an appropriate length and seal the open gap between the sliding sash and outer window sash. (See Figure 19)

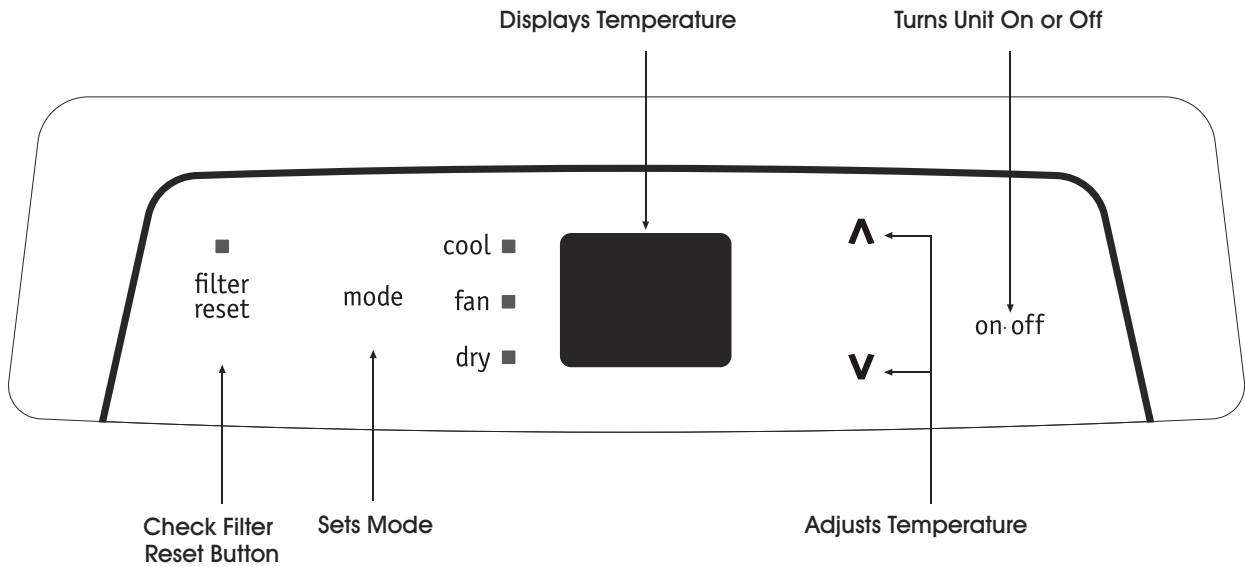


7. To secure the sliding sash in place, attach sash lock with 1/2" screw. (See Figure 20)

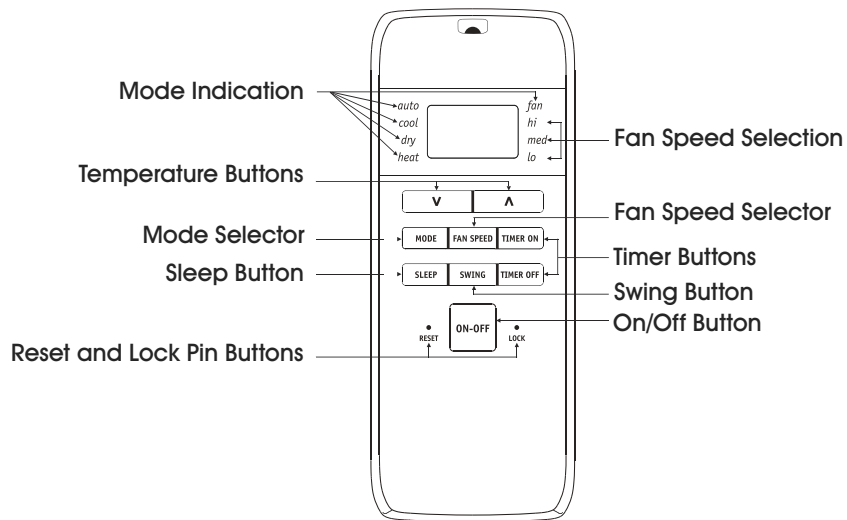


AIR CONDITIONER FEATURES

CONTROL PANEL



REMOTE CONTROL



Battery Size: AAA



WARNING! Do not mix old and new batteries. Do not mix alkaline, standard (carbon-zinc) or rechargeable (nickel-cadmium) batteries. This device complies with Part 15 of the FCC Rules. Operation is subject to the following two conditions: This device may not cause harmful interference. This device must accept any interference received, including interference that may cause undesired operation.



NOTE: The *RESET* button is depressed when you want to return to the initial factory settings. The *LOCK* button is depressed to lock the keypad so the settings cannot be changed. The key symbol will appear in the display of the remote control. Depress the *LOCK* button again to release. Use a small pin to depress these buttons.

OPERATION

 **NOTE:** The following instructions explain the control panel, and they can also be used for the remote control.

COOLING MODE

In this mode, the exhaust adapter hose must be used:

1. Press the **MODE** button until the "cool" indicator lights up.
2. Press the **▼ ▲** temperature buttons for desired settings.
3. Press the **FAN SPEED** button for desired fan speed.

DRY MODE

In this mode, you do not need to use the exhaust adapter hose, but the water collected must be discharged. See Drainage section on page 8.


1. Press the **MODE** button until the "dry" indicator lights up.
2. The fan will run at low speed and the display will show the room temperature.
3. Keep doors and windows closed for best effect.

AUTO MODE

 **NOTE:** Always have the exhaust hose attached in this mode.

When the air conditioner is set to auto mode, it will automatically select cooling or fan only operation depending on what temperature you have selected and the room temperature. The air conditioner will control room temperature automatically based on temperature set. Under auto mode, you cannot select the fan speed.

FAN MODE

 **NOTE:** In this mode, there is no need to use the exhaust hose or drainage hose. However, to remove stale or smokey air from the room, hook up the duct accessories as described in the Exhausting Hot Air section on page 3.

1. Press the **MODE** button until the "fan" indicator lights up.
2. Press the **FAN SPEED** button to choose the desired fan speed.
3. The fan will run at the selected speed and the display will show the room temperature.

TIMER OPERATION

You can set both delay stop and delay start while unit is in ON or OFF position. When unit is in ON position, first press **TIMER** button to go to delay stop setting, then "timer off" light will illuminate. Tap or hold the **UP** arrow (**▲**) or the **DOWN** arrow (**▼**) to change delay stop timer at 0.5 hour increments up to 10 hours, then at 1 hour increments up to 24 hours. Then, press the **TIMER** button to confirm the setting. The control will confirm the setting automatically after five seconds and go to delay start setting.

Use the same way as above to set the delay start timing. If you do not need to set delay start, press the **TIMER** button again to exit. After five seconds, the control will automatically change the display back to previous temperature display.

To check remaining time, press the **TIMER** button. The delay start operation automatically selects mode, temperature and fan speed the same as last operation set.

When unit is in OFF position, press **TIMER** button to first go to delay start setting, then "timer on" light will illuminate. Set the delay start and delay stop timing the same way as above.

To cancel the timer setting, simply tap the **▲** or **▼** button to change the timing to 0.0.

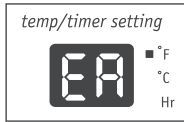
SLEEP OPERATION

In this mode, the selected temperature will increase by 2°F 30 minutes after the mode is selected. The temperature will then increase by another 2°F after an additional 30 minutes. This new temperature will be maintained for 7 hours before it returns to the originally selected temperature. This ends the Sleep mode and the unit will continue to operate as originally programmed. The sleep mode program can be cancelled at any time during operation by again pressing the **SLEEP** button.

 **NOTE:** This feature is unavailable under fan or dry modes.

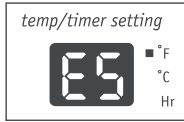
CHECK FILTER FEATURE

This feature is a reminder to clean the air filter (See Maintenance on page 9) for more efficient operation. The light above the **FILTER RESET** button will illuminate after 250 hours of operation. To reset after cleaning the filter, press the **FILTER RESET** button and the light will go off.

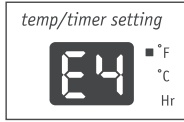


FAULT CODE

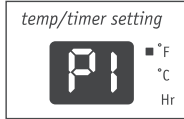
If the display reads "EA," the room temperature sensor has failed. Contact Uline Customer Service at 1-800-295-5510.



If the display reads "ES," the evaporator temperature sensor has failed. Contact Uline Customer Service at 1-800-295-5510.



If the display reads "E4," the display panel communication has failed. Contact Uline Customer Service at 1-800-295-5510.



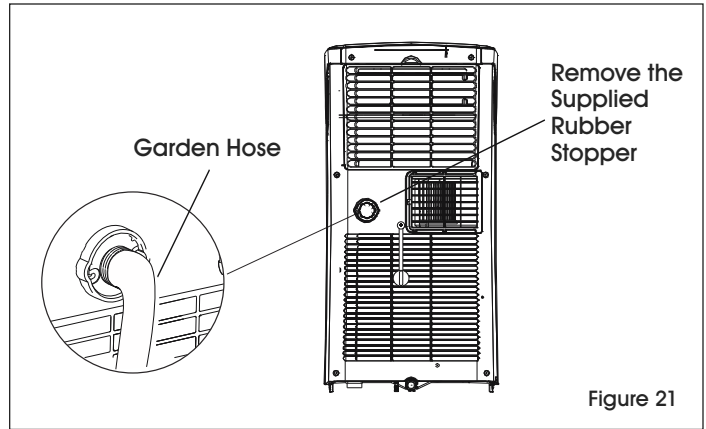
If the display reads "P1," bottom tray is full. Carefully move the unit to a drain location, remove the bottom drain plug and let the water drain away. Restart the machine until the "P1" symbol disappears. If error repeats, call Uline Customer Service at 1-800-295-55100.

DRAINAGE

During the dehumidifying mode, you will need a garden hose (sold separately) to drain the condensate from the unit. Remove the rubber stopper from the hose connector. (See Figure 21)

The hose may then:

- Discharge into a drain that is lower than the unit.
- Be connected to a condensate pump (sold separately).



OPERATION CONTINUED

ADDITIONAL INFORMATION

- The "cool" circuit has an automatic three-minute time-delayed start if the unit is turned off and on quickly. This prevents overheating of the compressor and possible circuit breaker tripping. The fan will continue to run during this time.
- The control will maintain the set temperature within 2°F, between 62°F and 86°F (17°C and 30°C).
- The control panel is capable of displaying temperature in Fahrenheit or Celsius. To convert from one to the other and back, press and hold the Up (▲) and Down (▼) buttons together for three seconds.
- There is a two-second delay for the compressor shutting down when selecting fan only. This covers the possibility of rolling through to another mode.
- After a power outage, the unit will memorize the last setting and return the unit to the same setting once power is restored.

MAINTENANCE

Clean air conditioner occasionally to keep it looking new.



NOTE: Unplug the unit before cleaning to prevent shock or fire hazards.

AIR FILTER CLEANING

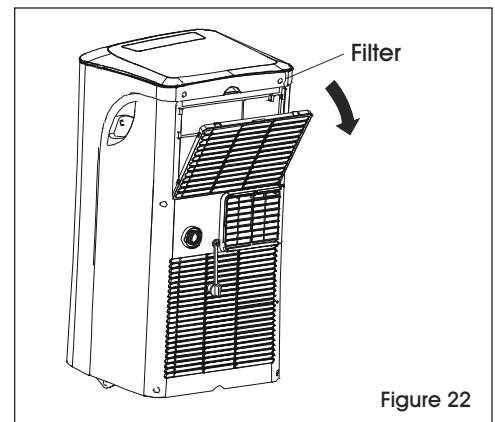
- This unit has one filter. Grasp the upper panel tab and remove the filter behind the grille of the back panel. (See Figure 22)
- Wash the filter using liquid dishwashing detergent and warm water. Rinse filter thoroughly. Gently shake excess water from the filter. Be sure filter is thoroughly dry before replacing.
- Instead of washing, you may vacuum the filter clean.

CABINET CLEANING

- The cabinet and front may be dusted with an oil-free cloth or washed with a cloth dampened in a solution of warm water and mild liquid detergent. Rinse thoroughly and wipe dry.
- Never use harsh cleaners, wax or polish on the cabinet front.
- Wring excess water from the cloth before wiping around the controls. Excess water in or around the controls may damage the air conditioner.

WINTER STORAGE

To store the appliance during the winter, cover it with plastic or return it to its carton.



TROUBLESHOOTING

OPERATING ISSUE	CAUSES	RECOMMENDATIONS
Air conditioner will not operate.	<p>Wall plug disconnected.</p> <p>Plug current device tripped.</p> <p>House fuse blown or circuit breaker tripped.</p> <p>Control is off.</p> <p><i>P!</i> appears in the display window.</p> <p>Shut off in heat mode.</p> <p>Room temperature lower than the set temperature (cool mode).</p> <p>Room temperature higher than the set temperature (heat mode).</p>	<p>Push plug firmly into wall outlet.</p> <p>Press the <i>RESET</i> button.</p> <p>Replace fuse with time-delay type or reset circuit breaker.</p> <p>Turn control on and set to desired setting.</p> <p>Drain water as described in Drainage section on page 8.</p> <p>When the air outlet exceeds 158°F (70°C), the automatic heat protection engages. Remove any blockages and let appliance cool down.</p> <p>Reset the temperature.</p> <p>Reset the temperature.</p>
Air from unit does not feel cold enough.	<p>Room temperature below 60°F (16°C). Reset to a lower temperature.</p> <p>Compressor shut off by changing modes.</p>	<p>Cooling may not occur until room temperature rises above 60°F (16°C).</p> <p>Wait approximately three minutes and listen for compressor to restart when set in cool mode.</p>
Air conditioner cooling, but room is too warm – ice forming on cooling coil behind front.	<p>Outdoor temperature below 60°F (16°C).</p> <p>Air filter may be dirty.</p> <p>Temperature is set too low for nighttime cooling.</p> <p>Exhaust duct not connected or blocked.</p>	<p>Cooling may not occur until room temperature rises above 60°F (16°C).</p> <p>Clean filter. Refer to Maintenance section on page 9. To defrost, set to fan only mode.</p> <p>To defrost the coil, set to fan only mode. Then, set temperature to a higher setting.</p> <p>See Exhausting Hot Air section on page 3.</p>
Air conditioner cooling, but room is too warm – no ice forming on cooling coil behind front.	<p>Dirty air filter – air restricted.</p> <p>Temperature is set too high.</p> <p>Air directional louvers positioned improperly.</p> <p>Front of unit is blocked by drapes, blinds or furniture, which restrict air distribution.</p> <p>Doors, windows or registers open and cold air escapes.</p> <p>Unit recently turned on in hot room.</p>	<p>Clean air filter. Refer to Maintenance section on page 9.</p> <p>Set temperature to a lower setting.</p> <p>Position louvers for better air distribution.</p> <p>Clear blockage in front of unit.</p> <p>Close doors, windows or registers.</p> <p>Allow additional time to remove stored heat from walls, ceiling, floor and furniture.</p>

TROUBLESHOOTING CONTINUED

OPERATING ISSUE	CAUSES	RECOMMENDATIONS
Air conditioner turns on and off rapidly.	Dirty air filter – air restricted. Outside temperature extremely hot.	Clean air filter. Set fan speed to a faster setting to bring air through cooling coils more frequently.
Noise when unit is cooling.	Air movement sound. Vibration from uneven floor.	This is normal. If too loud, set to lower fan setting. Move or support appliance correctly on even surface.
Room too cold.	Set temperature too low.	Increase set temperature.
Room too hot.	Set temperature too high.	Lower set temperature.

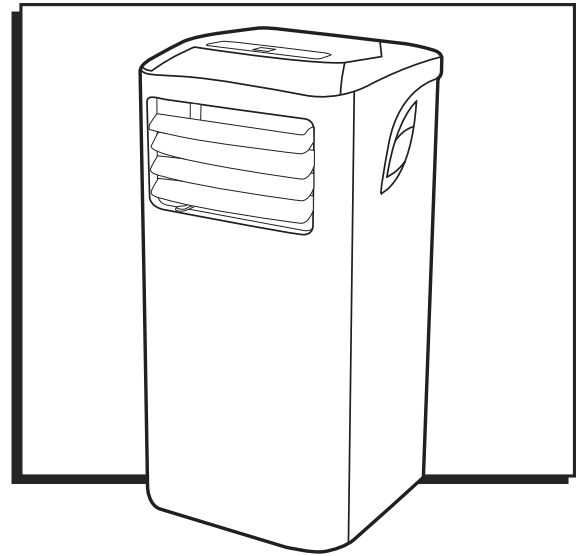
ULINE

1-800-295-5510
uline.com

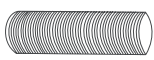
ULINE H-5274

AIRE ACONDICIONADO PORTÁTIL

800-295-5510
uline.mx



ACCESORIOS INCLUIDOS



1 Manguera de Escape



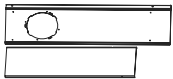
1 Adaptador A para Unidad/Escape



1 Adaptador B para Ventana/Escape



3 Sellos de Espuma



1 Kit Deslizante para Ventana



4 Tornillos de 1/2"



2 Tornillos de 3/4"



2 Tornillos de Cabeza Hexagonal de 1/2"



1 Control Remoto



1 Seguro para Hoja de Ventana



2 Baterías (Para el Control Remoto)



NOTA: Compruebe que todos los accesorios están incluidos en el paquete y consulte las instrucciones de instalación para el uso.

SEGURIDAD



¡ADVERTENCIA! Lea esta sección antes de intentar poner en funcionamiento el aire acondicionado. La unidad debe colocarse en posición vertical una hora antes de ponerla en funcionamiento.

El cable de suministro de electricidad contiene un dispositivo de corriente que detecta cualquier daño al cable. Para probar el cable eléctrico, haga lo siguiente:

1. Enchufe el aire acondicionado.
2. El cable eléctrico cuenta con dos botones en la cabeza del enchufe. Presione el botón **TEST** (Prueba). Notará un clic al activarse el botón de **RESET** (Reinicio).
3. Presione el botón **RESET** (Reinicio). Nuevamente usted notará un clic al activarse el botón. (Vea Diagrama 1)
4. El cable eléctrico suministra ahora electricidad a la unidad.

PAGE 12 OF 33



NOTA: No utilice este dispositivo para encender o apagar la unidad. Asegúrese siempre de que el botón **RESET** (Reinicio) esté presionado para un funcionamiento adecuado. El cable eléctrico deberá ser reemplazado si no se puede reiniciar ya sea cuando se presiona el botón **TEST** (Prueba) o en caso de que no se pueda reiniciar. Si el cable de suministro de electricidad está dañado, no debe repararse. Se debe reemplazar. Comuníquese con Servicio a Clientes de Uline para asistencia llamando al 800-295-5510.

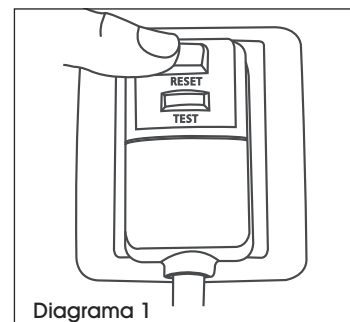


Diagrama 1

0624 IH-5274

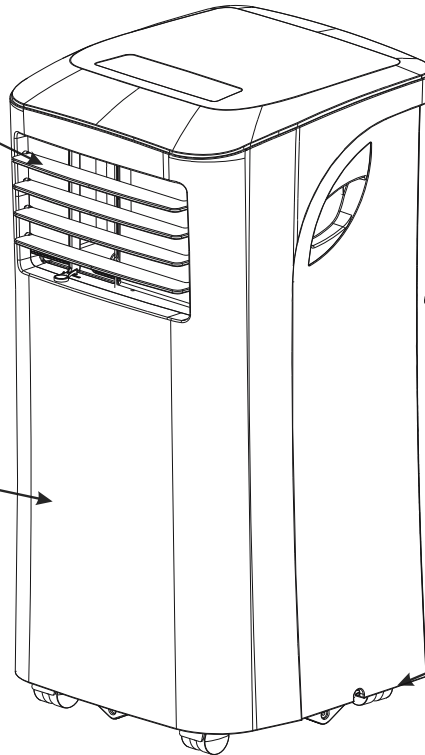
SONIDOS NORMALES

Sonido de Ráfaga de Aire

Al frente de la unidad, es posible que escuche el sonido de la ráfaga de aire movida por el ventilador.

Sonido de Tono Agudo

Los compresores de alta eficiencia de la actualidad pueden tener un sonido agudo durante el ciclo de enfriamiento.



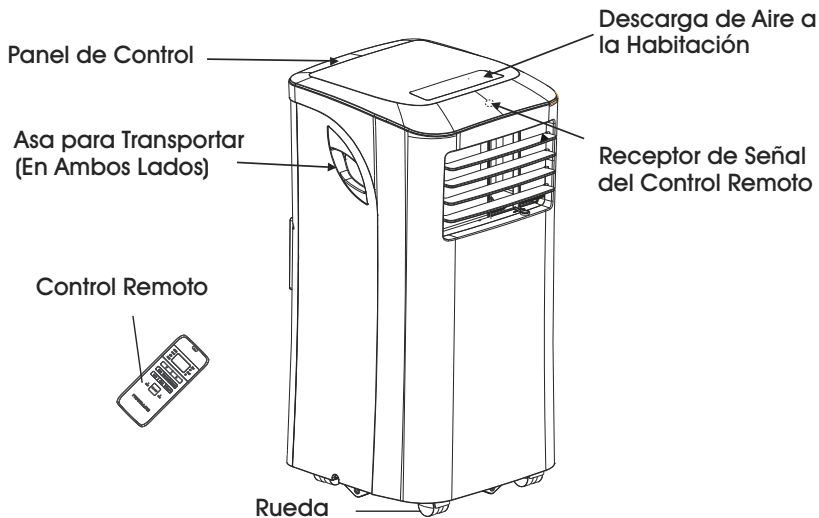
Borboteo/Siseo

Se puede escuchar un borboteo o siseo a causa del paso del refrigerante a través del evaporador durante el funcionamiento normal.

Vibración

La unidad puede vibrar y hacer ruidos a causa de un piso irregular.

COMPONENTES



Panel de Control

Asa para Transportar
(En Ambos Lados)

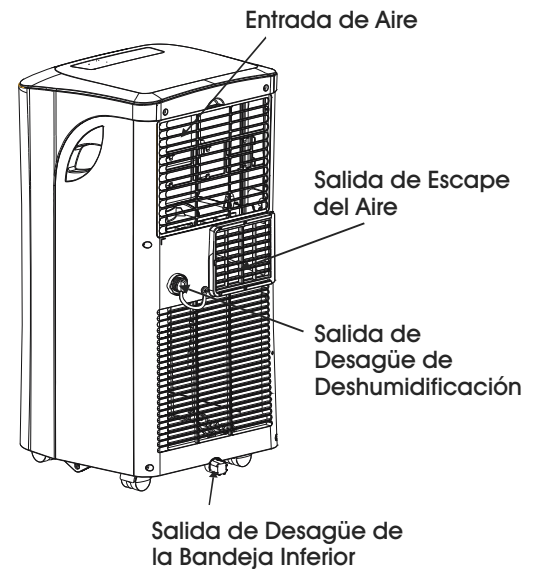
Control Remoto



Rueda

Descarga de Aire a
la Habitación

Receptor de Señal
del Control Remoto



Entrada de Aire

Salida de Escape del Aire

Salida de
Desagüe de
Deshumidificación

Salida de Desagüe de
la Bandeja Inferior

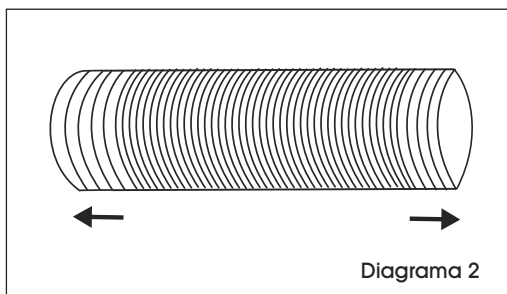
INSTALACIÓN

ESCAPE DEL AIRE CALIENTE

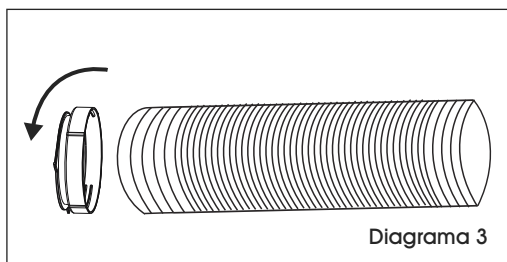
En el modo de enfriamiento, el electrodoméstico debe colocarse cerca de una ventana o abertura de forma que el aire caliente de escape pueda canalizarse hacia afuera.

Coloque la unidad sobre un piso plano. Asegúrese de que hay un espacio libre de al menos 30 cm (12") alrededor de la unidad y de que está colocada cerca de una fuente de alimentación de circuito sencillo.

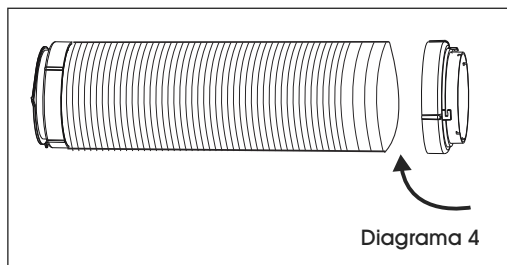
1. Extienda cualquiera de los dos lados de la manguera. (Vea Diagrama 2)



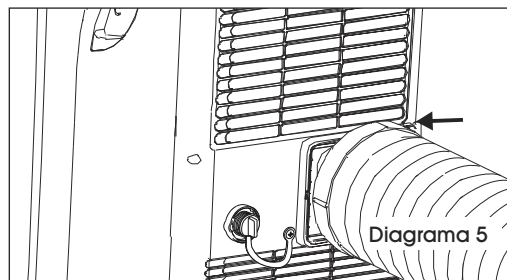
2. Enrosque la manguera en el adaptador A. (Vea Diagrama 3)



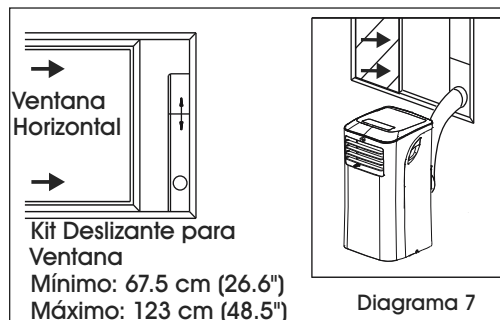
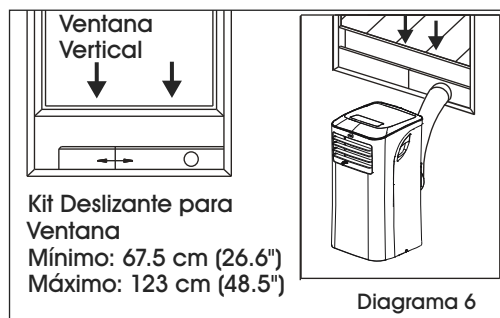
3. Extienda el otro lado de la manguera y enrósquelo en el adaptador B. (Vea Diagrama 4)




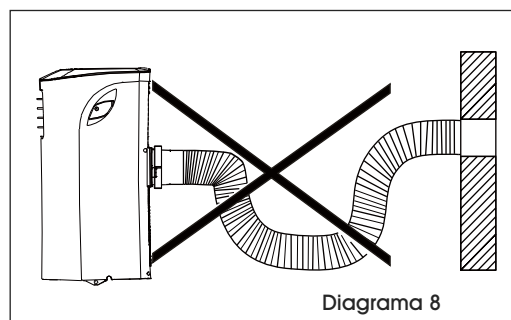
4. Deslice el ensamble dentro de la unidad. (Vea Diagrama 5)



5. Fije el adaptador B en el kit deslizante para ventana y séllelo. (Vea Diagramas 6 y 7)



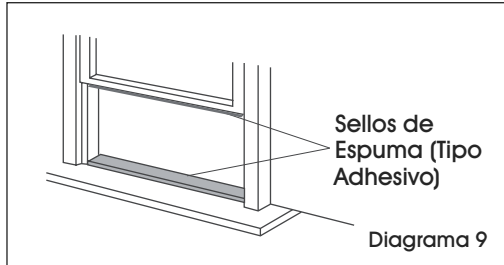
 **NOTE:** La manguera puede extenderse de su longitud original de 38 cm (15") hasta 1.5 m (59"), pero lo mejor es mantener la longitud al mínimo requerido. Asimismo, asegúrese de que la manguera no tenga curvas pronunciadas ni hundimientos. (Vea Diagrama 8)



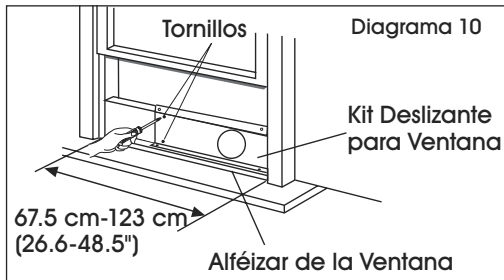
CONTINUACIÓN DE INSTALACIÓN

INSTALACIÓN EN UNA VENTANA DE GUILLOTINA DOBLE

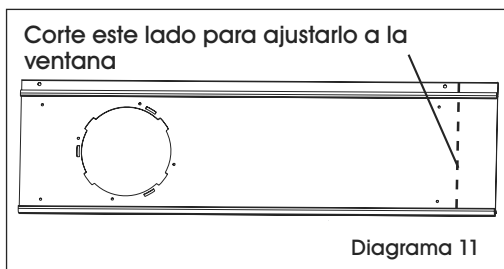
1. Corte los sellos de espuma de tipo adhesivo a las longitudes adecuadas y fíjelos a la ventana y al alféizar. (Vea Diagrama 9)



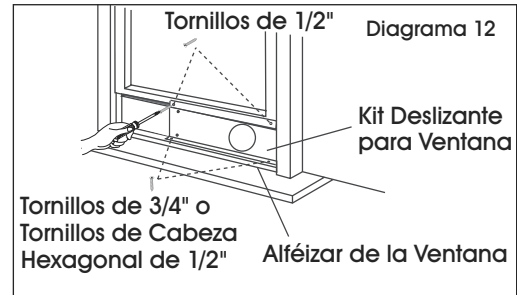
2. Abra la hoja inferior y coloque el kit deslizante para ventana sobre el alféizar. (Vea Diagrama 10) Ajuste el largo del kit deslizante para ventana en función del ancho de la ventana. Atornille los dos tornillos del kit deslizante para ventana. (Vea Diagrama 10)



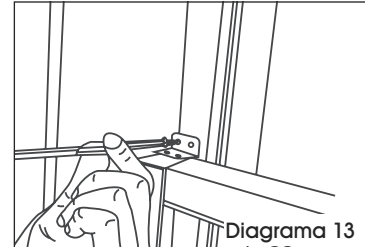
3. Corte el kit deslizante para ventana ajustable si el ancho de la ventana es inferior a 67.6 cm (26.6"). (Vea Diagrama 11)



4. Cierre bien la hoja inferior sobre el kit deslizante para ventana. (Vea Diagrama 12)
5. Inserte dos tornillos de 1/2" para fijar el kit deslizante para ventana a la hoja inferior. (Vea Diagrama 12)
6. Fije el kit deslizante para ventana al alféizar.
(Vea Diagrama 12)
 - a. En ventanas de madera, use tornillos de 3/4" para fijar.
 - b. En ventanas con revestimiento de vinil, use tornillos de cabeza hexagonal de 1/2" para fijar.

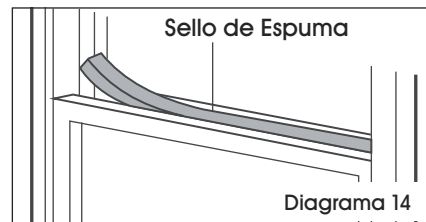


7. Para fijar la hoja inferior en su sitio, coloque un seguro para hoja con un tornillo de 1/2". (Vea Diagrama 13)



 **NOTA:** Resulta difícil asegurar las ventanas con revestimiento de vinil con el seguro para hoja, así que cierre con la ventana.

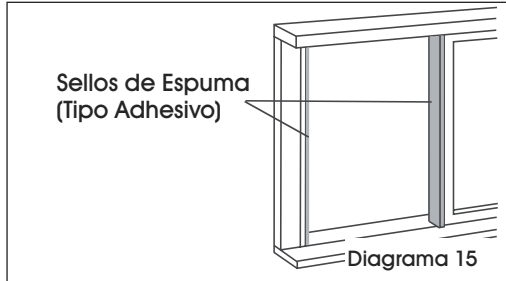
8. Corte el sello de espuma a la longitud adecuada y selle el espacio abierto entre la hoja superior de la ventana y la hoja exterior de la ventana. (Vea Diagrama 14)



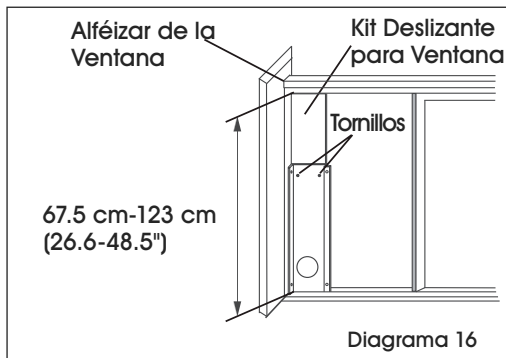
CONTINUACIÓN DE INSTALACIÓN

INSTALACIÓN EN UNA VENTANA DE HOJA CORREDIZA

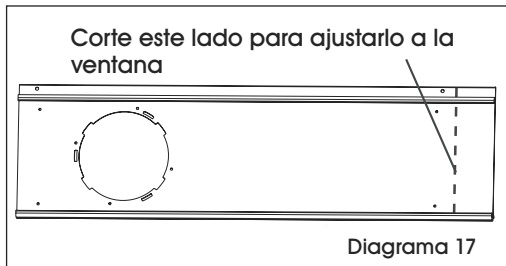
1. Corte los sellos de espuma de tipo adhesivo a las longitudes adecuadas y fíjelos al marco de la ventana. (Vea Diagrama 15)



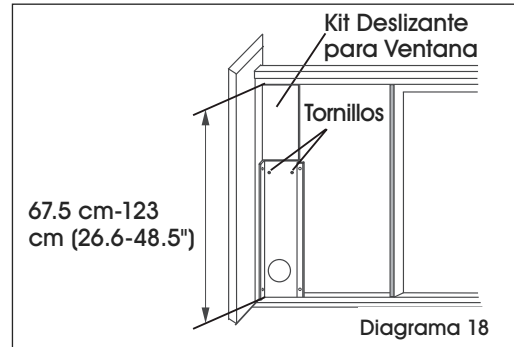
2. Abra la hoja de la ventana y coloque el kit deslizante para ventana sobre el alféizar. (Vea Diagrama 16) Fije el kit deslizante para ventana al alféizar de la ventana. Ajuste el largo del kit deslizante para ventana en función de la altura de la ventana. Atornille los dos tornillos del kit deslizante para ventana. (Vea Diagrama 16)



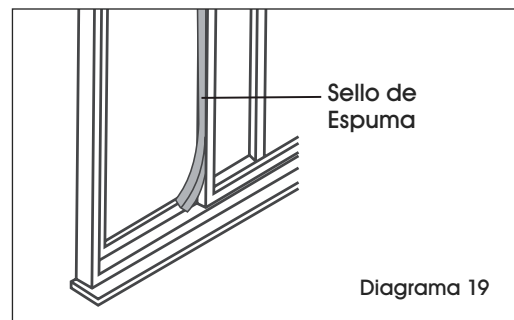
3. Corte el kit deslizante para ventana ajustable si la altura de la ventana es inferior a 67.5 cm (26.6"). (Vea Diagrama 17)



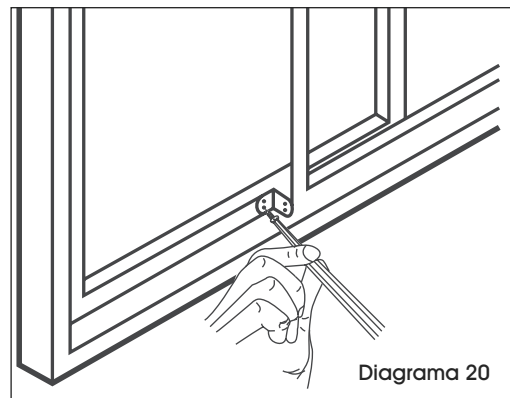
4. Cierre bien la hoja corrediza sobre el kit deslizante para ventana. (Vea Diagrama 18)
5. Fije el kit deslizante para ventana al alféizar. (Vea Diagrama 18)
 - a. En ventanas de madera, use tornillos de 3/4" para fijar.
 - b. En ventanas con revestimiento de vinil, use tornillos de cabeza hexagonal de 1/2" para fijar.



6. Corte el sello de espuma a la longitud adecuada y selle el espacio abierto entre la hoja corrediza y la hoja exterior de la ventana. (Vea Diagrama 19)

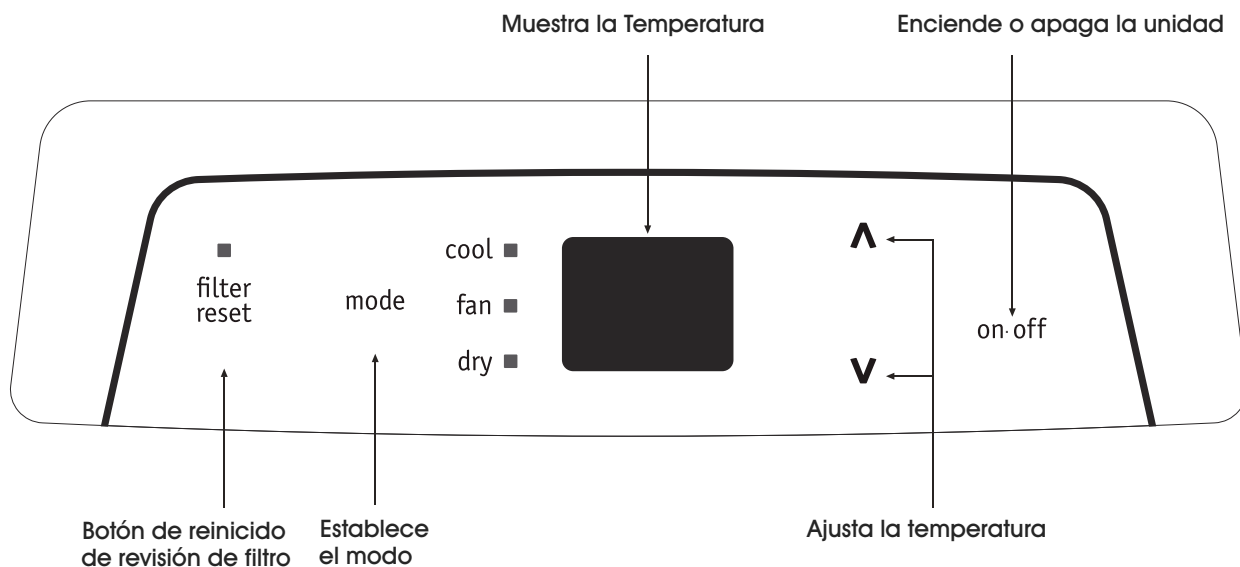


7. Para fijar la hoja corrediza en su sitio, coloque un seguro para hoja con un tornillo de 1/2". (Vea Diagrama 20)

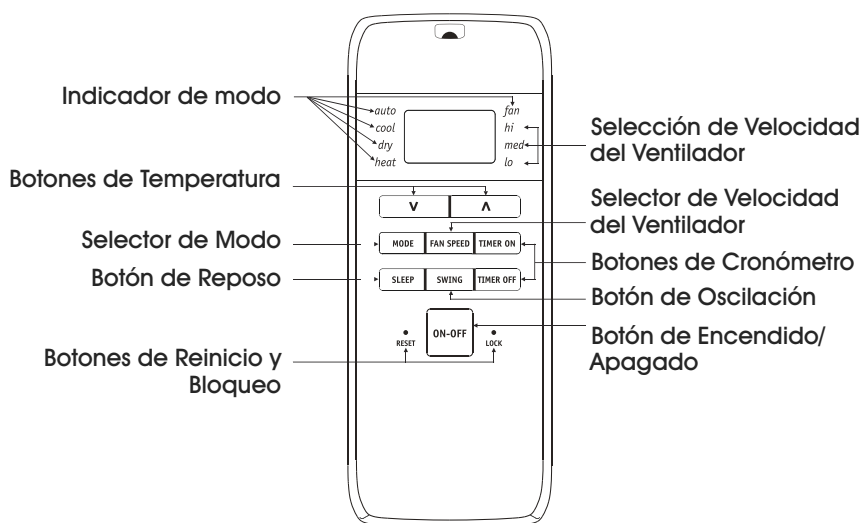


CARACTERÍSTICAS DEL AIRE ACONDICIONADO

PANEL DE CONTROL



CONTROL REMOTO



Tamaño de la batería: AAA



¡ADVERTENCIA! No mezcle baterías viejas y nuevas. No mezcle baterías alcalinas, estándar (carbono-zinc) o recargables (níquel-cadmio). Este dispositivo cumple con la Parte 15 de la Normativa de la FCC. El funcionamiento queda sujeto a las siguientes dos condiciones: Este dispositivo no podrá causar interferencias dañinas. Este dispositivo deberá aceptar cualquier interferencia recibida, incluyendo aquellas interferencias que puedan ocasionar un funcionamiento no deseado.



NOTA: Deberá presionar el botón *RESET* (Reinicio) cuando quiera regresar a la configuración inicial de fábrica. Deberá presionar el botón *LOCK* (Bloqueo) cuando quiera bloquear el teclado de forma que la configuración no se pueda cambiar. Aparecerá el símbolo de la llave en la pantalla del control remoto. Presione el botón *LOCK* (Bloqueo) de nuevo para desbloquear. Use una aguja pequeña para presionar estos botones.

FUNCIONAMIENTO



NOTA: Las instrucciones que se incluyen a continuación explican el panel de control y se pueden usar también para el control remoto.

MODO DE ENFRIAMIENTO

En este modo debe usarse la manguera con adaptador de escape:

1. Presione el botón **MODE** (Modo) hasta que el indicador "cool" (frío) se ilumine.
2. Presione los botones de temperatura "**V** **▲**" para elegir la configuración deseada.
3. Presione el botón **FAN SPEED** (Selector de Velocidad del Ventilador) para elegir la velocidad del ventilador deseada.

MODO SECO

En este modo no es necesario usar la manguera con adaptador de escape, pero el agua recogida debe vaciarse. Consulte la sección Desagüe en la página 19.

1. Presione el botón **MODE** (Modo) hasta que el indicador "dry" (seco) se ilumine.
2. El ventilador se pondrá en marcha a velocidad baja y la pantalla mostrará la temperatura ambiente.
3. Para obtener los mejores resultados, mantenga puertas y ventanas cerradas.

MODO AUTOMÁTICO



NOTE: En este modo siempre deberá tener colocada la manguera de escape.

Cuando el aire acondicionado esté en modo automático, la unidad seleccionará automáticamente la función de enfriamiento o solo ventilador dependiendo de qué temperatura haya elegido y de la temperatura ambiente. El aire acondicionado controlará la temperatura ambiente automáticamente en función de la temperatura elegida. En el modo automático no podrá seleccionar la velocidad del ventilador.

MODO VENTILADOR



NOTE: En este modo no es necesario usar la manguera con adaptador de escape o la manguera de desagüe. Sin embargo, para eliminar el aire viciado o el humo de la habitación, enganche los accesorios del ducto como se describe en la sección Expulsar el Aire Caliente en la página 14.

1. Presione el botón **MODE** (Modo) hasta que el indicador "fan" se ilumine.
2. Presione el botón **FAN SPEED** (Selector de Velocidad del Ventilador) para elegir la velocidad del ventilador deseada.
3. El ventilador se pondrá en marcha a la velocidad seleccionada y la pantalla mostrará la temperatura ambiente.

FUNCIONAMIENTO DEL CRONÓMETRO

Puede configurar tanto la parada retardada como el inicio retardado mientras la unidad está encendida o apagada. Cuando la unidad está encendida, presione primero el botón **TIMER** (Cronómetro) para acceder a la función de inicio retardado y luego la luz "timer off" (cronómetro apagado) se iluminará. Toque o mantenga presionada la flecha que apunta hacia **ARRIBA** (**▲**) o la flecha que apunta hacia **ABAJO** (**▼**) para cambiar el cronómetro de parada retardada en incrementos de 0.5 horas hasta un máximo de 10 horas y luego en incrementos de 1 hora hasta 24 horas. A continuación, presione el botón **TIMER** (Cronómetro) para confirmar la configuración (el control confirmará la configuración automáticamente después de cinco segundos) y vaya a la configuración de inicio retardado.

Siga el mismo procedimiento explicado anteriormente para configurar el cronómetro de inicio retardado. Si no necesita configurar un inicio retardado, presione el botón **TIMER** (Cronómetro) de nuevo para salir. Después de cinco segundos, el control cambiará automáticamente la pantalla para mostrar la temperatura previa.

Para comprobar el tiempo restante, presione el botón **TIMER** (Cronómetro). El funcionamiento del inicio retardado selecciona automáticamente el modo, la temperatura y la velocidad del ventilador igual que la última configuración establecida.

Cuando la unidad está apagada, presione el botón **TIMER** (Cronómetro) para ir primero a la configuración del inicio retardado y luego la luz "timer on" (cronómetro encendido) se iluminará. Configure el inicio retardado y la parada retardada tal y como se ha descrito anteriormente.

Para cancelar la configuración del cronómetro, simplemente toque el botón (**▲**) o (**▼**) para cambiar el cronómetro a 0.0.

MODO DE REPOSO

En este modo, la temperatura seleccionada aumentará -16.7°C (2°F) 30 minutos después de seleccionar el modo. La temperatura aumentará otros -16.7°C (2°F) después de otros 30 minutos. Esta nueva temperatura se mantendrá durante 7 horas antes de regresar a la temperatura seleccionada originalmente. Esto pone fin al modo Reposo y la unidad continuará funcionando tal y como se había programado originalmente. El programa del modo reposo se puede cancelar en cualquier momento durante el funcionamiento presionando de nuevo el botón **SLEEP** (Reposo).

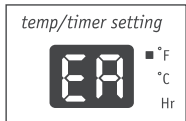


NOTA: Esta característica no está disponible en los modos ventilador o seco.

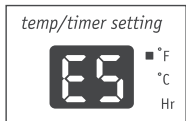
FUNCIÓN COMPROBAR FILTRO

Esta función es un recordatorio para limpiar el filtro de aire (Vea Mantenimiento en la página 20) y permitir un funcionamiento más eficiente. La luz que hay sobre el botón **FILTER RESET** (Botón de reinicio de filtro) se iluminará después de 250 horas de funcionamiento. Para reiniciarla después de limpiar el filtro, presione el botón **FILTER RESET** (Botón de reinicio de filtro) y la luz se apagará.

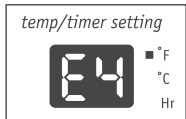
CÓDIGO DE FALLAS



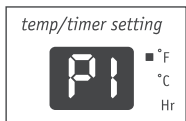
Si en la pantalla se lee "EA", el sensor de la temperatura ambiente ha fallado. Comuníquese con Servicio a Clientes de Uline llamando al 800-295-5510.



Si en la pantalla se lee "ES", el sensor de la temperatura de evaporación ha fallado. Comuníquese con Servicio a Clientes de Uline llamando al 800-295-5510.



Si en la pantalla se lee "E4", la comunicación con el panel de la pantalla ha fallado. Comuníquese con Servicio a Clientes de Uline llamando al 800-295-5510.



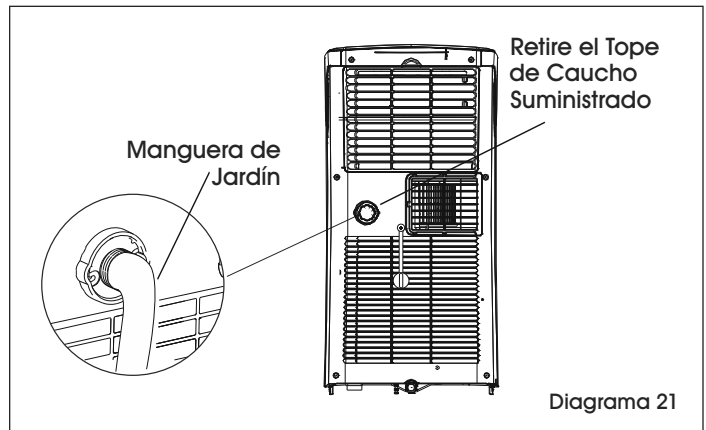
Si en la pantalla se lee "P1", la bandeja inferior está llena. Con cuidado traslade la unidad a un lugar de desagüe, quite el tapón del desagüe inferior y deje que se vacíe de agua. Reinicie la máquina hasta que el símbolo "P1" desaparezca. Si el error se repite, comuníquese con Servicio a Clientes de Uline llamando al 800-295-5510.

DESAGÜE

Durante el modo de deshumidificación, se necesitará una manguera de jardín (se vende por separado) para drenar la condensación de la unidad. Quite el tope de goma del conector de la manguera. (Vea Diagrama 21)

De esta forma la manguera podrá:

- Vaciarse en un desagüe que esté colocado más bajo que la unidad.
- Conectarse a una bomba de condensación (se vende por separado).



CONTINUACIÓN DE FUNCIONAMIENTO

INFORMACIÓN ADICIONAL

- El circuito de enfriamiento tiene un inicio con retraso automático de tres minutos en caso de que la unidad se encienda y apague de prisa. Esto evita que el compresor se sobrecaliente y que el interruptor automático se dispare. Durante este tiempo, el ventilador continuará funcionando.
- El control mantendrá la temperatura fija en un rango de 2°F, entre 17°C y 30°C (62°F y 86°F).
- El panel de control puede mostrar la temperatura en grados Fahrenheit o Centígrados. Para convertir

de uno a otro y al revés, presione y mantenga los botones de "Temp" (Temperatura) correspondientes a **ARRIBA (▲)** y **ABAJO (▼)** a la vez durante tres segundos.

- Hay un retraso de dos segundos para que el compresor se apague al seleccionar solo ventilador. Esto cubre la posibilidad de querer cambiar a otro modo.
- Después de un corte eléctrico, la unidad memorizará la última configuración programada y fijará esta misma configuración una vez que se restablezca el suministro.

MANTENIMIENTO

Limpie el aire acondicionado ocasionalmente para que luzca como nuevo.

 **Desconecte la unidad antes de limpiarla para evitar peligros de descarga o incendios.**

LIMPIEZA DEL FILTRO DEL AIRE

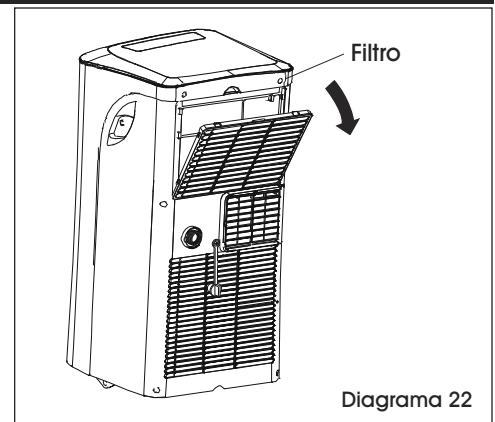
- Esta unidad tiene un filtro: Tome la pestaña del panel superior y quite el filtro de detrás de la rejilla del panel posterior. (Vea Diagrama 22)
- Lave el filtro usando detergente para vajilla líquido y agua tibia. Enjuague bien el filtro. Agítelo levemente para eliminar el exceso de agua del filtro. Asegúrese de que el filtro esté completamente seco antes de volverlo a colocar.
- En lugar de lavarlo, también puede aspirar el filtro para limpiarlo.

LIMPIEZA DEL GABINETE

- Se puede quitar el polvo del gabinete y de la parte delantera con un trapo libre de aceites o limpiarlos con un paño humedecido con una solución de agua tibia y un detergente líquido suave. Limpie bien y seque con un paño.
- No utilice nunca limpiadores fuertes, cera o pulidor en la parte delantera del gabinete.
- Exprima el trapo antes de limpiar alrededor de los controles. El exceso de agua alrededor de o dentro de los controles podría dañar el aire acondicionado.

ALMACENAMIENTO DURANTE EL INVIERNO

Para almacenar el equipo durante el invierno, cúbralo con un plástico o vuelva a meterlo en su caja.



SOLUCIÓN DE PROBLEMAS

PROBLEMA DE FUNCIONAMIENTO	CAUSAS	RECOMENDACIONES
<p>El aire acondicionado no funciona.</p>	<p>El enchufe a la pared está desconectado.</p> <p>El enchufe no recibe corriente.</p> <p>Se han fundido los fusibles de la casa o se ha producido un cortocircuito.</p> <p>El control está apagado.</p> <p>Se muestra <i>P!</i> en la pantalla.</p> <p>La unidad se apaga en el modo de calefacción.</p> <p>La temperatura ambiente es inferior a la temperatura establecida (Modo enfriamiento).</p> <p>La temperatura ambiente es superior a la temperatura establecida (Modo calefacción).</p>	<p>Empuje el enchufe firmemente dentro del contacto de pared.</p> <p>Presione el botón RESET (Reinicio).</p> <p>Reemplace el fusible con uno de tipo retardado o reinicie el interruptor automático.</p> <p>Encienda el control y póngalo en la configuración deseada.</p> <p>Drene el agua como se describe en la sección Desagüe en la página 19.</p> <p>Cuando la salida del aire excede los 70°C (158°F), se activa la protección automática contra el calor. Retire cualquier bloqueo y deje que el electrodoméstico se enfríe.</p> <p>Reinicie la temperatura.</p> <p>Reinicie la temperatura.</p>
<p>El aire procedente de la unidad no está lo suficientemente frío.</p>	<p>La temperatura ambiente es inferior a 16°C (60°F). Reinicie la unidad a una temperatura más baja.</p> <p>El compresor se ha apagado debido al cambio de modo.</p>	<p>Es posible que no se emita aire frío hasta que la temperatura ambiente sea superior a 16°C (60°F).</p> <p>Espere unos tres minutos y escuche hasta que el compresor se reinicie cuando la configuración esté en el modo de enfriamiento.</p>
<p>El aire acondicionado enfría pero la habitación está demasiado caliente – Se está formando hielo en la bobina de enfriamiento detrás de la parte delantera.</p>	<p>La temperatura exterior es inferior a 16°C (60°F).</p> <p>El filtro del aire podría estar sucio.</p> <p>La temperatura fijada es demasiado baja para el enfriamiento nocturno.</p> <p>El ducto de salida no está conectado o está bloqueado.</p>	<p>Es posible que no se emita aire frío hasta que la temperatura ambiente sea superior a 16°C (60°F).</p> <p>Limpie el filtro. Consulte la sección Mantenimiento en la página 20. Para descongelar, configure el modo solo ventilador.</p> <p>Para descongelar la bobina, configure el modo solo ventilador. Después, fije la temperatura a una configuración superior.</p> <p>Consulte la sección Escape del Aire Caliente en la página 14.</p>

CONTINUACIÓN DE SOLUCIÓN DE PROBLEMAS

PROBLEMA DE FUNCIONAMIENTO	CAUSAS	RECOMENDACIONES
<p>El aire acondicionado enfría pero la habitación está demasiado caliente - No se está formando hielo en la bobina de enfriamiento detrás de la parte delantera.</p>	<p>El filtro del aire está sucio – aire restringido.</p> <p>La temperatura configurada es demasiado alta.</p> <p>Las rejillas de dirección del aire están colocadas de manera incorrecta.</p> <p>La parte delantera de la unidad está bloqueada por cortinas, persianas o muebles, que restringen la distribución del aire.</p> <p>Puertas, ventanas o registros abiertos de manera que el aire frío se escape.</p> <p>Unidad recientemente encendida en una habitación donde hace calor.</p>	<p>Limpie el filtro del aire. Consulte la sección Mantenimiento en la página 20.</p> <p>Fije la temperatura a una configuración inferior.</p> <p>Coloque las rejillas de ventilación de manera que el aire se distribuya mejor.</p> <p>Elimine la obstrucción ubicada delante de la unidad.</p> <p>Cierre puertas, ventanas o registros.</p> <p>Permita que pase más tiempo para eliminar el calor almacenado en paredes, techo, piso y muebles.</p>
<p>El aire acondicionado se enciende y se apaga rápidamente.</p>	<p>El filtro del aire está sucio – aire restringido.</p> <p>Temperatura exterior extremadamente calurosa.</p>	<p>Limpie el filtro del aire.</p> <p>Ponga el ventilador a una configuración más rápida para que el aire entre en las bobinas de enfriamiento con mayor frecuencia.</p>
<p>Ruido cuando la unidad está enfriando.</p>	<p>Sonido del movimiento de aire.</p> <p>Vibración procedente de un piso desnivelado.</p>	<p>Esto es normal. Si hace demasiado ruido, ponga el ventilador en una configuración más baja.</p> <p>Mueva o apoye el electrodoméstico sobre una superficie nivelada.</p>
<p>Habitación demasiado fría.</p>	<p>La temperatura fijada es demasiado baja.</p>	<p>Aumente la temperatura.</p>
<p>Habitación demasiado caliente.</p>	<p>La temperatura fijada es demasiado alta.</p>	<p>Reduzca la temperatura.</p>

ULINE

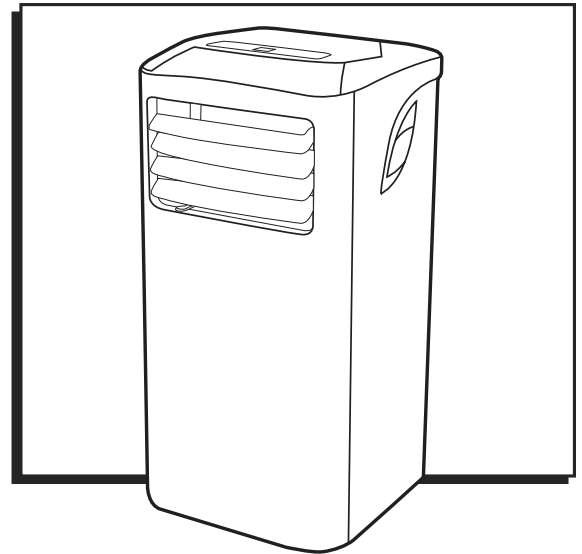
800-295-5510
uline.mx

ULINE H-5274

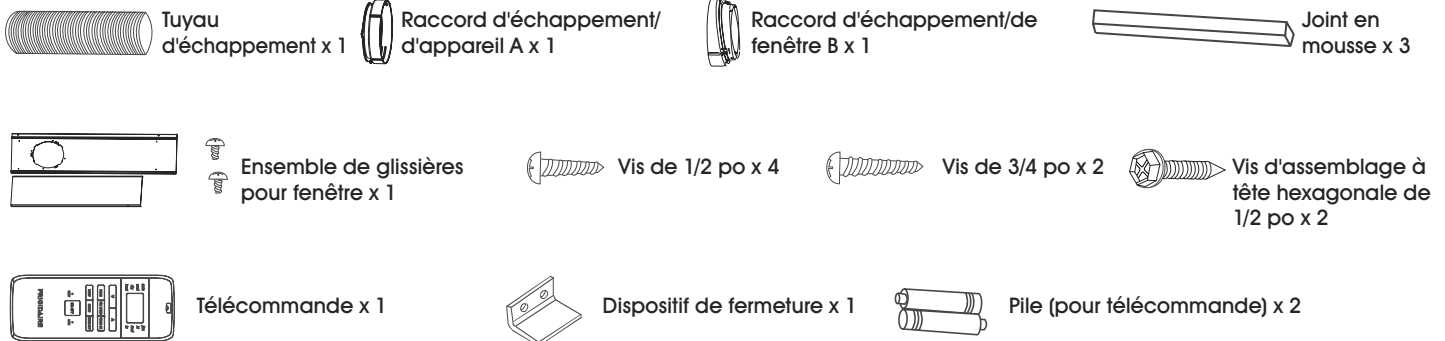
**CLIMATISEUR
PORTATIF**

1 800 295-5510

uline.ca



ACCESSOIRES INCLUS



REMARQUE : Vérifiez que tous les accessoires sont inclus dans l'emballage et reportez-vous aux instructions d'installation pour l'utilisation.

SÉCURITÉ



AVERTISSEMENT! Lisez cette section avant d'utiliser le climatiseur. L'appareil doit être placé à la verticale une heure avant d'être utilisé.

Le cordon d'alimentation est doté d'un dispositif de courant qui détecte si le cordon est endommagé. Pour tester votre cordon d'alimentation, procédez comme suit :

1. Branchez le climatiseur.
2. Le cordon d'alimentation est muni de deux boutons sur la tête enfichable. Appuyez sur le bouton « **TEST** ». Un clic se fera entendre au déblocage du bouton « **RESET** » (réinitialiser).
3. Appuyez sur le bouton « **RESET** » (réinitialiser). Un clic se fera de nouveau entendre au blocage du bouton. (Voir Figure 1)
4. Le cordon d'alimentation fournit maintenant de l'électricité à l'appareil.



REMARQUE : N'utilisez pas ce dispositif pour allumer ou éteindre l'appareil. Veillez à ce que le bouton « **RESET** » (réinitialiser) soit toujours enfoncé pour assurer un bon fonctionnement. Le cordon d'alimentation doit être remplacé s'il ne parvient pas à réinitialiser l'appareil lorsque le bouton « **TEST** » est enfoncé, ou s'il ne peut pas être réinitialisé. Si le cordon d'alimentation est endommagé, il ne peut pas être réparé. Il doit être remplacé. Communiquez avec le service à la clientèle de Uline au 1 800 295-5510 pour obtenir de l'aide.

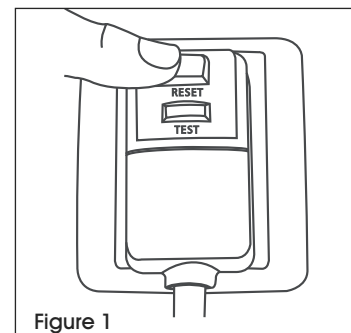


Figure 1

0624 IH-5274

SONS NORMAUX

Son d'air en mouvement

Vous pouvez entendre la bruit de l'air déplacé par le ventilateur provenant de l'avant de l'appareil.

Son aigu

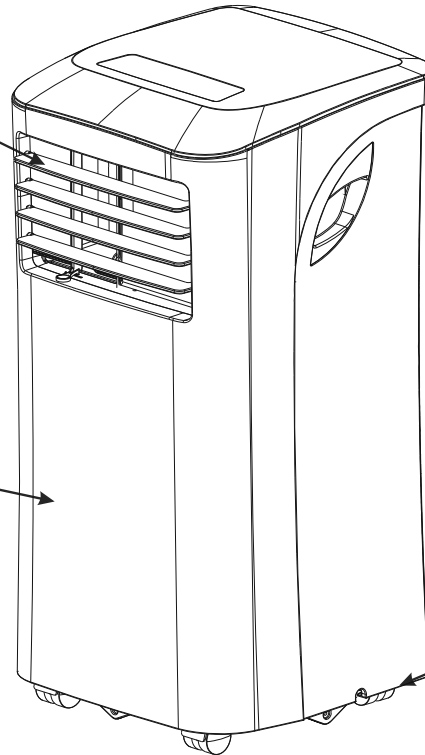
Les compresseurs à haut rendement d'aujourd'hui peuvent émettre un son aigu pendant le cycle de refroidissement.

Gargouillis/sifflement

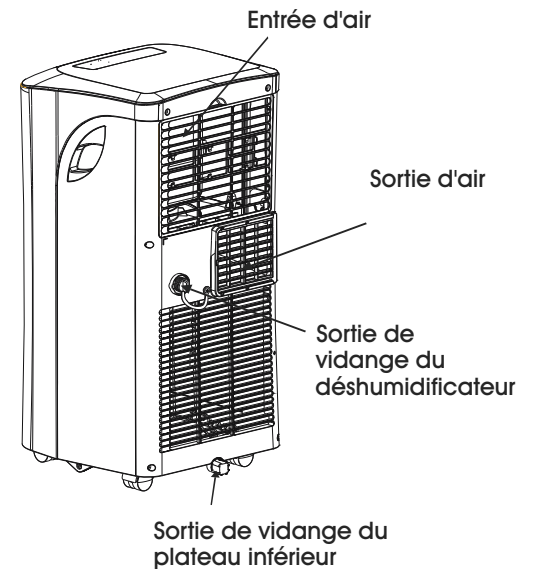
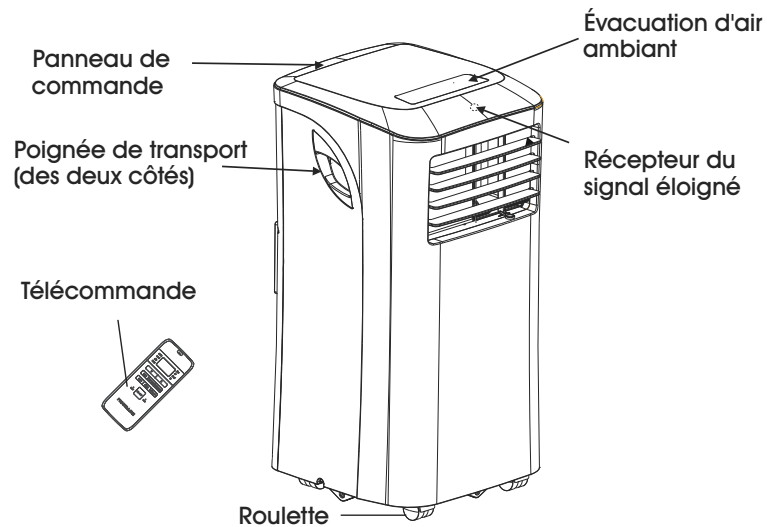
Un son de gargouillis ou de sifflement peut se faire entendre lors du fonctionnement normal quand le réfrigérant circule dans l'évaporateur.

Vibration

L'appareil peut vibrer et faire du bruit si le sol est inégal.



COMPOSANTS



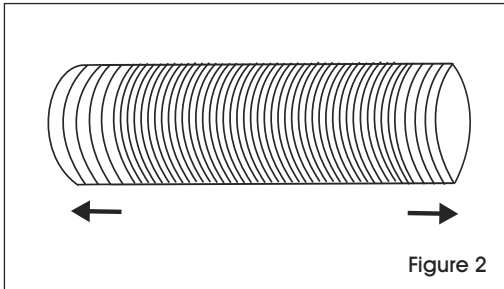
INSTALLATION

ÉCHAPPEMENT D'AIR CHAUD

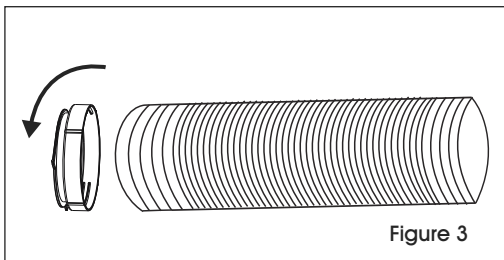
En mode de refroidissement, l'appareil doit être placé près d'une fenêtre ou d'une ouverture afin que l'air chaud évacué puisse être acheminé à l'extérieur.

Posez d'abord l'appareil sur un plancher plat. Assurez-vous qu'il y a un espace d'au moins 30,5 cm (12 po) autour de l'appareil et que celui-ci se trouve à proximité d'une prise d'alimentation à circuit unique.

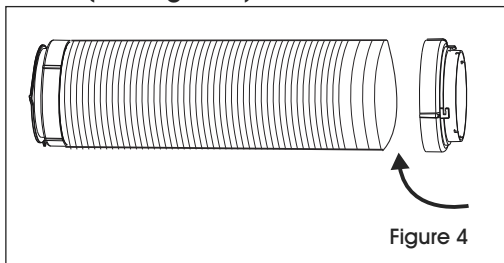
1. Rallongez l'une des extrémités du tuyau. (Voir Figure 2)



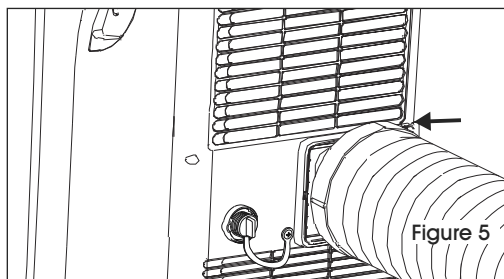
2. Vissez le tuyau sur le raccord A. (Voir Figure 3)



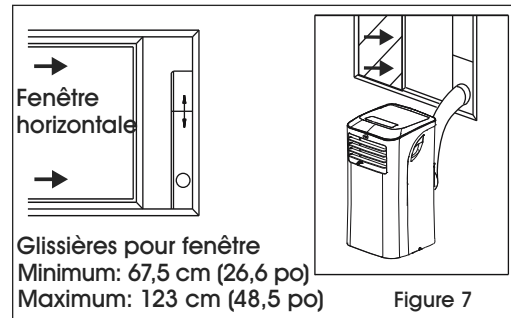
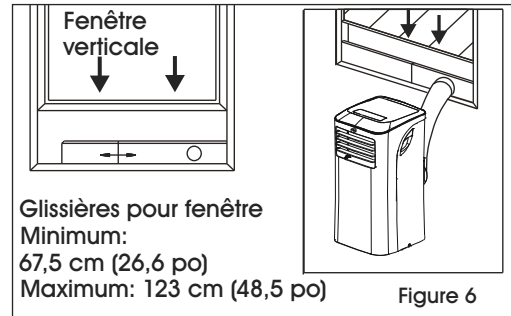
3. Rallongez l'autre extrémité du tuyau et vissez-la au raccord B. (Voir Figure 4)



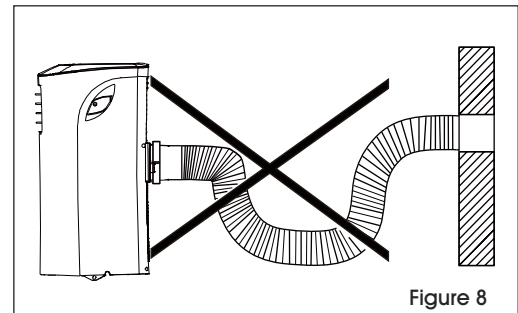
4. Fixez l'ensemble sur l'appareil en le glissant en place. (Voir Figure 5)



5. Fixez le raccord B sur l'ensemble de glissières pour fenêtre et puis scellez. (Voir Figures 6 et 7)

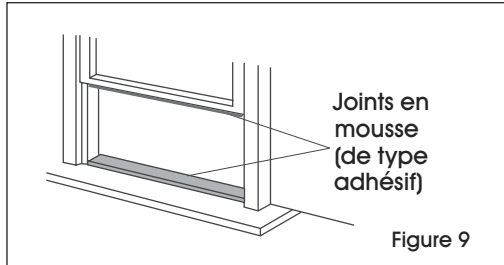


NOTE: Le tuyau peut être allongé de 38 cm à 150 cm (15 po à 59 po) à partir de sa longueur initiale, mais il est recommandé de garder la longueur au minimum nécessaire. Assurez-vous également que le tuyau ne présente pas d'angles prononcés ou d'affaissements. (Voir Figure 8)

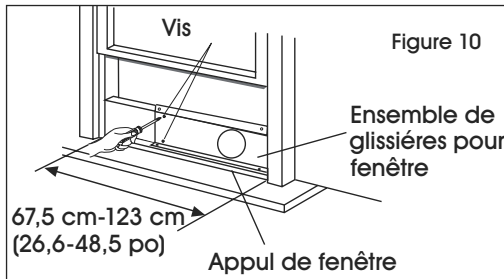


INSTALLATION À UNE FENÊTRE À GUILLOTINE DOUBLE

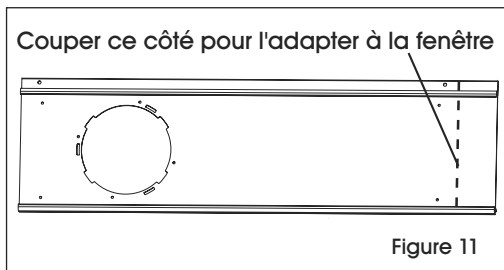
1. Coupez les joints en mousse adhésive aux longueurs appropriées et fixez-les à la fenêtre et à l'appui de fenêtre. (Voir Figure 9)



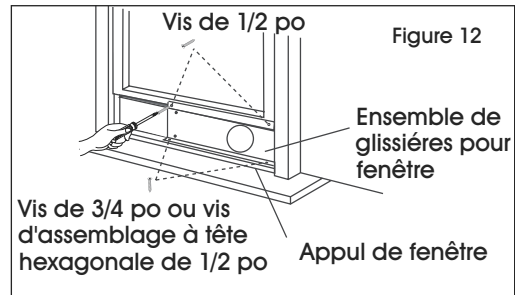
2. Ouvrez le châssis inférieur et placez l'ensemble de glissières pour fenêtre sur l'appui de fenêtre. (Voir Figure 9) Réglez la longueur des glissières pour fenêtre en fonction de la largeur de la fenêtre. Vissez les deux vis sur les glissières pour fenêtre. (Voir Figure 10)



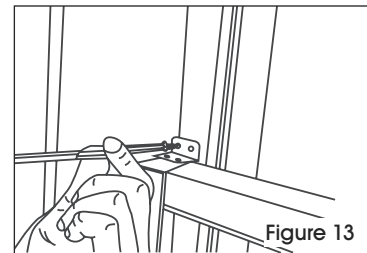
3. Coupez les glissières pour fenêtre si la largeur de la fenêtre est inférieure à 67,5 cm (26,6 po). (Voir Figure 11)



4. Fermez le châssis inférieur fermement contre les glissières pour fenêtre. (Voir Figure 12)
5. Enfoncez deux vis de 1/2 po pour fixer les glissières pour fenêtre au châssis inférieur. (Voir Figure 12)
6. Fixez les glissières pour fenêtre à l'appui de fenêtre. (Voir Figure 12)
 - a. Pour des fenêtres en bois, fixez à l'aide de vis de 3/4 po.
 - b. Pour des fenêtres enduites de vinyle, fixez à l'aide de vis d'assemblage à tête hexagonale de 1/2 po.

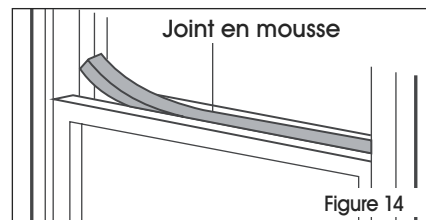


7. Pour fixer le châssis inférieur en place, installez le dispositif de fermeture à l'aide d'une vis de 1/2 po. (Voir Figure 13)



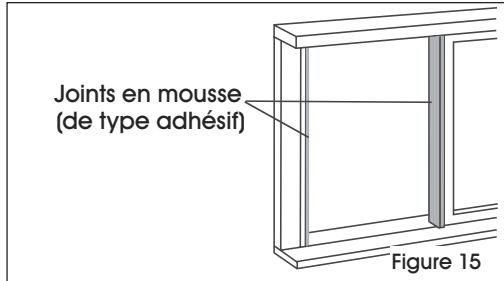
REMARQUE : Il peut s'avérer difficile de verrouiller les fenêtres enduites de vinyle avec le dispositif de fermeture. Dans un tel cas, verrouillez le verrou de la fenêtre elle-même.

8. Coupez le joint en mousse à la longueur appropriée et scellez l'espace libre entre le châssis supérieur et le châssis extérieur. (Voir Figure 14)

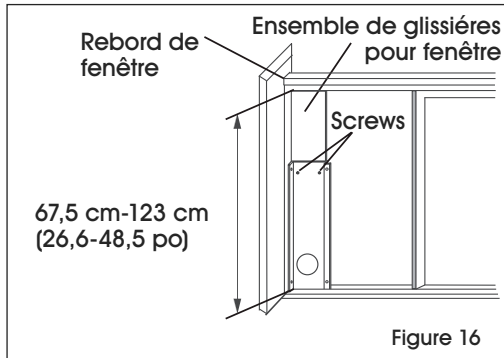


INSTALLATION À UNE FENÊTRE À UN CHASSIS COULISSANT

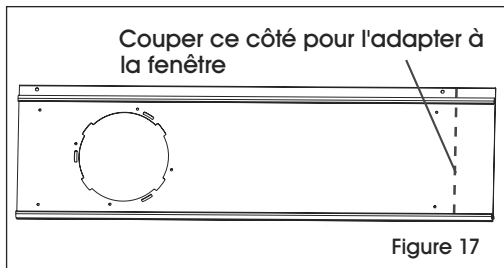
1. Coupez les joints en mousse adhésive aux longueurs appropriées et fixez-les au cadre de fenêtre. (Voir Figure 15)



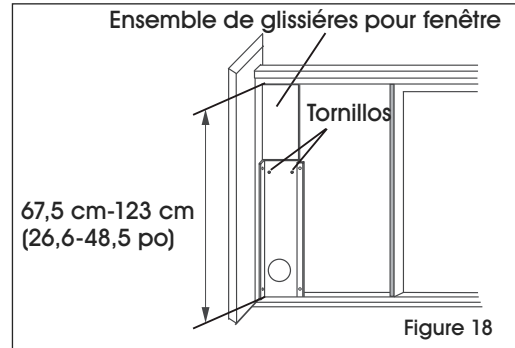
2. Ouvrez le châssis de fenêtre et placez l'ensemble de glissières pour fenêtre sur l'appui de fenêtre. (Voir Figure 16) Réglez la longueur des glissières pour fenêtre en fonction de la hauteur de la fenêtre. Vissez les deux vis sur les glissières pour fenêtre. (Voir Figure 16)



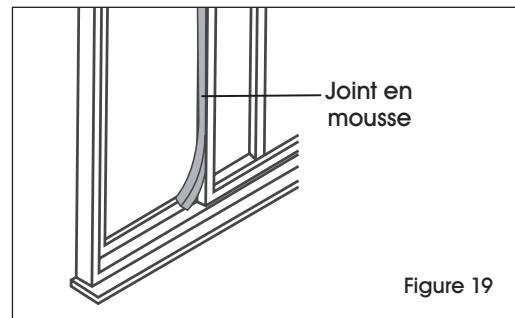
3. Coupez les glissières pour fenêtre si la hauteur de la fenêtre est inférieure à 67,5 cm (26,6 po). (Voir Figure 17)



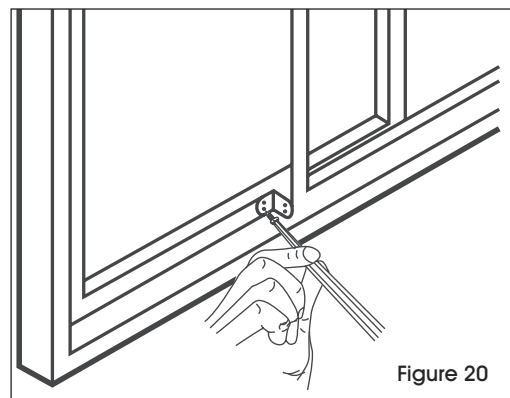
4. Fermez le châssis coulissant fermement contre les glissières pour fenêtre. (Voir Figure 18)
5. Fixez les glissières pour fenêtre à l'appui de fenêtre. (Voir Figure 18)
 - a. Pour des fenêtres en bois, fixez à l'aide de vis de 3/4 po.
 - b. Pour des fenêtres enduites de vinyle, fixez à l'aide de vis d'assemblage à tête hexagonale de 1/2 po.



6. Coupez le joint en mousse à la longueur appropriée et scellez l'espace libre entre le châssis coulissant et le châssis extérieur. (Voir Figure 19)

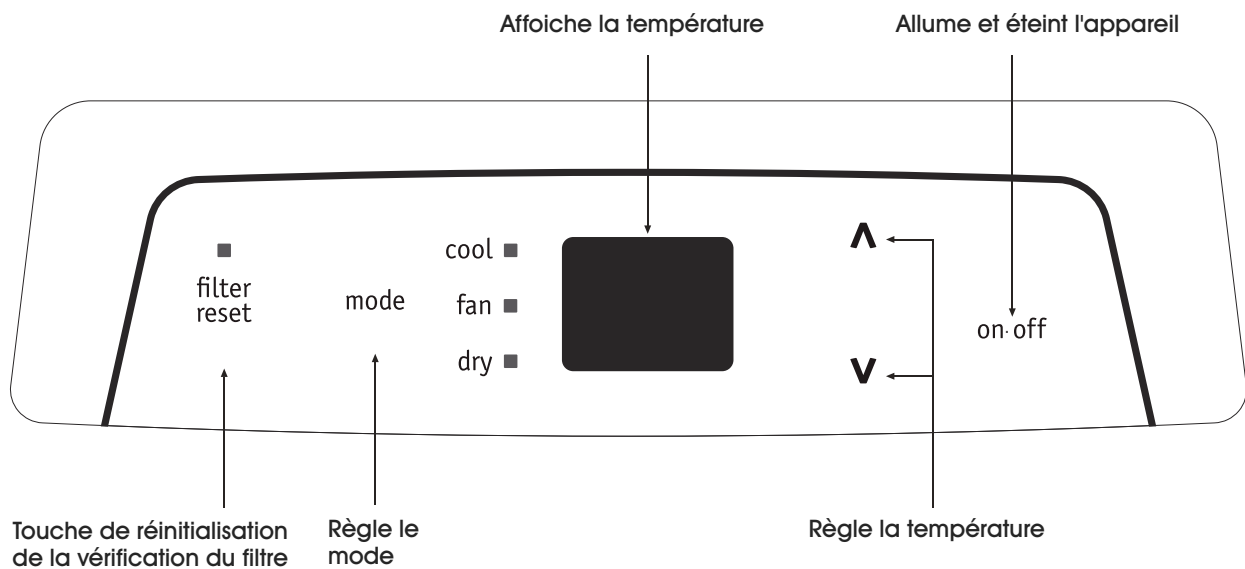


7. Pour fixer le châssis coulissant en place, installez le dispositif de fermeture à l'aide d'une vis de 1/2 po. (Voir Figure 20)

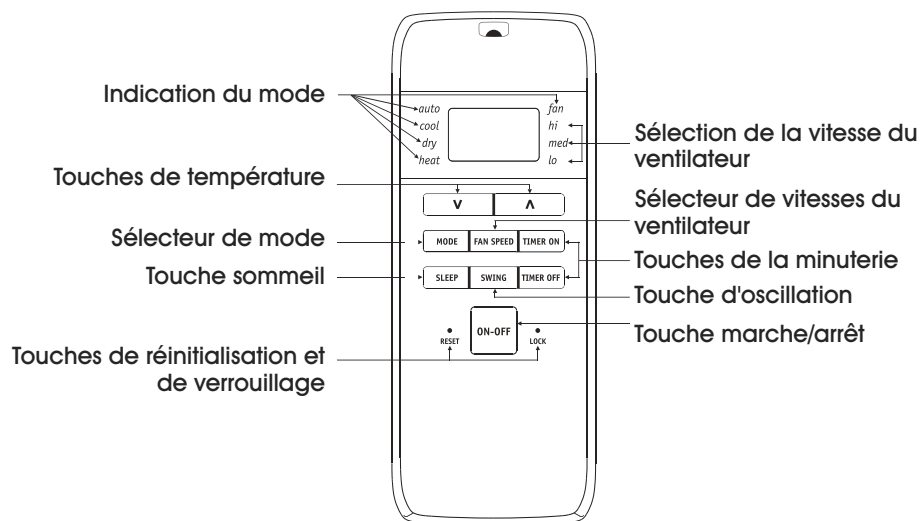


CARACTÉRISTIQUES DU CLIMATISEUR

PANNEAU DE COMMANDE



TÉLÉCOMMANDE



Format des piles : AAA



AVERTISSEMENT! Ne pas mélanger des piles neuves et des piles usées. Ne pas mélanger des piles alcalines, standards (carbone-zinc) ou rechargeables (nickel-cadmium). Cet appareil répond aux exigences de l'article 15 des règles de la FCC. L'utilisation de cet appareil est assujettie aux deux conditions suivantes : Cet appareil ne doit occasionner aucun brouillage préjudiciable. Cet appareil doit accepter tout brouillage, même celui susceptible d'en compromettre le fonctionnement.



REMARQUE : Appuyez sur la touche « *RESET* » (réinitialiser) pour rétablir les réglages d'usine. Appuyez sur la touche « *LOCK* » (verrouillage) pour verrouiller le clavier afin que les réglages ne puissent être modifiés. Une fois les réglages verrouillés, le symbole d'une clé s'affichera sur l'écran de la télécommande. Appuyez de nouveau sur la touche « *LOCK* » (verrouillage) pour déverrouiller. Utilisez une petite épingle pour enclencher ces touches.

FONCTIONNEMENT



REMARQUE : Les instructions suivantes expliquent les fonctions du panneau de commande, et elles s'appliquent également à la télécommande.

MODE DE REFROIDISSEMENT

Dans ce mode, vous devez utiliser le raccord de tuyau d'échappement :

1. Appuyez sur la touche « **MODE** » jusqu'à ce que l'indicateur « cool » s'allume.
2. Appuyez sur les touches de température « **V ▲** » pour choisir les réglages souhaités.
3. Appuyez sur la touche « **FAN SPEED** » (sélecteur de vitesses du ventilateur) pour choisir la vitesse de ventilation souhaitée.

MODE SÉCHAGE

Dans ce mode, vous n'avez pas à utiliser le raccord de tuyau d'échappement, mais l'eau recueillie doit être jetée. Voir la section Vidange à la page 30.

1. Appuyez sur la touche « **MODE** » jusqu'à ce que l'indicateur « dry » (sec) s'allume.
2. Le ventilateur fonctionnera à basse vitesse et l'écran indiquera la température ambiante.
3. Pour une utilisation optimale, gardez les portes et les fenêtres fermées.

MODE AUTOMATIQUE



NOTE: Dans ce mode, assurez-vous que le tuyau d'échappement est toujours fixé.

Lorsque le climatiseur est réglé en mode automatique, il sélectionne automatiquement le mode de refroidissement ou la ventilation seule en fonction de la température que vous avez sélectionnée et de la température ambiante. Le climatiseur contrôlera automatiquement la température ambiante en fonction de la température établie. En mode automatique, vous ne pouvez pas sélectionner la vitesse du ventilateur.

MODE VENTILATEUR



NOTE: Dans ce mode, vous n'avez pas à utiliser le tuyau d'échappement ou le tuyau de vidange. Cependant, pour expulser l'air vicié ou enfumé de la pièce, raccordez les accessoires pour gaines de la façon décrite dans la section Échappement d'air chaud à la page 25.

1. Appuyez sur la touche « **MODE** » jusqu'à ce que l'indicateur « fan » (ventilateur) s'allume.
2. Appuyez sur la touche « **FAN SPEED** » (sélecteur de vitesses du ventilateur) pour choisir la vitesse de ventilation souhaitée.
3. Le ventilateur fonctionnera à la vitesse sélectionnée et l'écran indiquera la température ambiante.

FONCTIONNEMENT DE LA MINUTERIE

Vous pouvez définir le délai d'arrêt et le délai de démarrage lorsque l'appareil est en position « **ON** » (allumer) ou « **OFF** » (éteindre). Lorsque l'appareil est en position « **ON** » (allumer) appuyez d'abord sur la touche « **TIMER** » (minuterie) pour définir le délai d'arrêt, puis le voyant « timer off » (minuterie arrêtée) s'allumera. Appuyez ou maintenez enfoncée la flèche **HAUT (▲)** ou la flèche **BAS (▼)** pour modifier le délai d'arrêt par intervalles de 0,5 heure jusqu'à 10 heures, puis par intervalles de 1 heure jusqu'à 24 heures. Ensuite, appuyez sur la touche « **TIMER** » (minuterie) pour confirmer le réglage (la commande confirmera le réglage automatiquement après 5 secondes), puis passez au réglage du délai de démarrage.

Répétez la procédure ci-dessus pour définir le délai de démarrage. Si vous n'avez pas à régler le délai de démarrage, appuyez de nouveau sur la touche « **TIMER** » (minuterie) pour quitter. La commande fera revenir automatiquement l'écran à l'affichage de la température après cinq secondes.

Pour vérifier le temps restant, appuyez sur la touche « **TIMER** » (minuterie). En réglant le délai de démarrage, le mode, la température et la vitesse du ventilateur sont sélectionnés automatiquement tel qu'ils ont été définis lors de la dernière utilisation.

Lorsque l'appareil est en position « **OFF** » (éteindre), appuyez sur la touche « **TIMER** » (minuterie) pour d'abord passer au réglage du délai de démarrage, puis le voyant « timer on » (minuterie en marche) s'allumera. Réglez le délai de démarrage et d'arrêt de la minuterie de la même manière que ci-dessus.

Pour annuler le réglage de la minuterie, appuyez tout simplement sur la touche **(▲)** ou **(▼)** pour régler la minuterie à 0,0.

MODE SOMMEIL

Dans ce mode, la température définie augmente de -16,7 °C (2 °F) 30 minutes après que le mode eut été sélectionné. La température augmentera ensuite d'un autre -16,7 °C (2 °F) après 30 minutes additionnelles. Cette nouvelle température sera maintenue pendant sept heures avant de revenir à la température sélectionnée initialement. Cela mettra fin au mode sommeil et l'appareil continuera de fonctionner comme il a été programmé initialement. La programmation du mode sommeil peut être annulée à tout moment pendant le fonctionnement en appuyant de nouveau sur la touche « **SLEEP** » (sommeil).

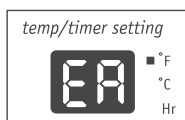


REMARQUE : Cette fonction n'est pas offerte dans les modes ventilateur et séchage.

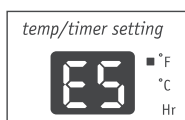
FONCTION DE VÉRIFICATION DU FILTRE

Cette fonction sert à vous rappeler de nettoyer le filtre à air (voir la section Entretien à la page 31) afin d'assurer un fonctionnement plus efficace. Le voyant au-dessus de la touche « **FILTER RESET** » (touche de réinitialisation de la vérification du filtre) s'allumera après 250 heures de fonctionnement. Pour réinitialiser l'appareil après le nettoyage du filtre, appuyez sur la touche « **FILTER RESET** » (touche de réinitialisation de la vérification du filtre) et le voyant s'éteindra.

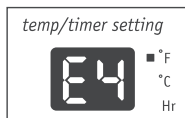
CODE D'ERREUR



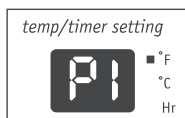
Si l'écran affiche « **EA** », le capteur de température ambiante a cessé de fonctionner. Communiquez avec le service à la clientèle de Uline au 1 800 295-5510.



Si l'écran affiche « **ES** », le capteur de température de l'évaporateur a cessé de fonctionner. Communiquez avec le service à la clientèle de Uline au 1 800 295-5510.



Si l'écran affiche « **E4** », la communication du panneau d'affichage a échoué. Communiquez avec le service à la clientèle de Uline au 1 800 295-5510.



Si l'écran affiche « **P1** », le plateau inférieur est plein. Déplacez délicatement l'appareil à un endroit pour effectuer la vidange, retirez le bouchon de vidange inférieur et laissez l'eau s'écouler. Redémarrez l'appareil jusqu'à ce que le symbole « **P1** » disparaisse. Si l'erreur se répète, communiquez avec le service à la clientèle de Uline au 1 800 295-5510.

VIDANGE

En mode déshumidification, vous aurez besoin d'un tuyau d'arrosage (vendu séparément) pour vidanger le condensat de l'appareil. Retirez le bouchon de caoutchouc du raccord de tuyau. (Voir Figure 21)

Le tuyau peut alors :

- S'écouler dans un trou d'évacuation situé plus bas que l'appareil.
- Être raccordé à une pompe à condensat (vendue séparément).

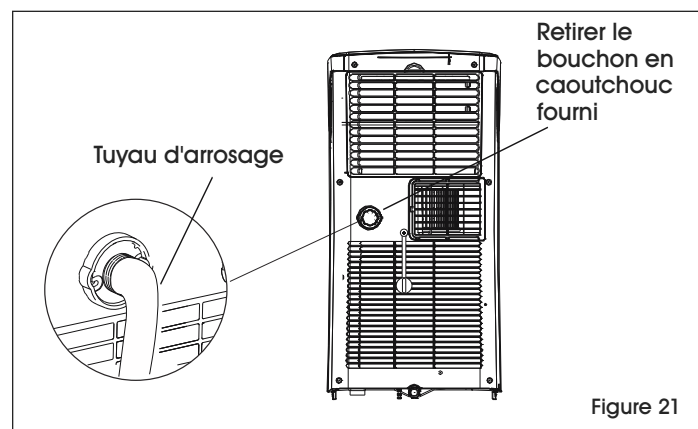


Figure 21

RENSEIGNEMENTS COMPLÉMENTAIRES

- Le circuit « cool » (refroidissement) comprend une fonction de démarrage automatique retardé de trois minutes si l'appareil est éteint et allumé rapidement. Cela empêche la surchauffe du compresseur et le déclenchement du disjoncteur. Le ventilateur continuera de fonctionner pendant ce temps.
- La commande maintiendra la température définie à -16.7° C (2 °F) près, entre 17 °C et 30 °C (62 °F et 86 °F).
- Le panneau de commande peut afficher la température en degrés Fahrenheit ou Celsius. Pour passer d'un à l'autre et inversement, maintenez les touches de température **HAUT (▲)** et **BAS (▼)** enfoncées en même temps pendant trois secondes.
- Il y a un délai de deux secondes avant que le compresseur ne s'éteigne lorsque vous sélectionnez ventilateur seulement. Cela permet de passer à un autre mode.
- Après une panne de courant, l'appareil garde en mémoire le dernier réglage et rétablit ce réglage sur l'appareil une fois le courant revenu.

ENTRETIEN

Nettoyez le climatiseur de temps à autre pour qu'il garde une apparence neuve. **Débranchez l'appareil avant de le nettoyer pour éviter tout risque d'électrocution ou d'incendie.**

NETTOYAGE DU FILTRE À AIR

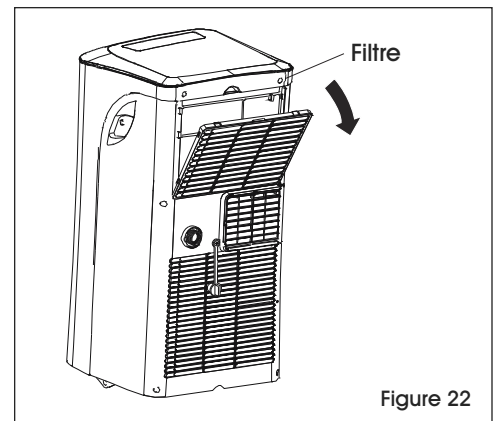
- Cet appareil est muni d'un filtre. Saisissez la languette du panneau supérieur et retirez le filtre se trouvant derrière la grille du panneau arrière. (Voir Figure 22)
- Nettoyez le filtre à l'aide de savon à vaisselle liquide et de l'eau chaude. Rincez soigneusement le filtre. Secouez délicatement l'excès d'eau du filtre. Assurez-vous que le filtre est complètement sec avant de le replacer.
- Au lieu de le laver, vous pouvez passer l'aspirateur sur le filtre.

NETTOYAGE DU BOÎTIER

- Le boîtier et le devant doivent être dépoussiérés avec un chiffon sans huile ou nettoyés avec un chiffon imbibé d'une solution d'eau chaude et de détergent liquide doux. Rincez soigneusement et séchez.
- N'utilisez jamais de nettoyant fort, de cire ou de vernis sur le devant du boîtier.
- Essorez l'excès d'eau du chiffon avant d'essuyer autour des commandes. L'excès d'eau sur les commandes ou à proximité de celles-ci pourrait endommager le climatiseur.

ENTREPOSAGE HIVERNAL

Pour ranger l'appareil pendant l'hiver, recouvrez-le de plastique ou replacez-le dans sa boîte.



DÉPANNAGE

PROBLÈME	CAUSES	RECOMMANDATIONS
Le climatiseur ne fonctionne pas.	<p>La fiche est débranchée de la prise murale.</p> <p>Le dispositif de courant de la fiche s'est déclenché.</p> <p>Fusible grillé ou disjoncteur déclenché.</p> <p>L'appareil est éteint.</p> <p><i>Pi</i> s'affiche à l'écran.</p> <p>S'éteint en mode de chauffage.</p> <p>La température ambiante est inférieure à la température définie (mode de refroidissement).</p> <p>La température ambiante est supérieure à la température définie (mode de chauffage).</p>	<p>Insérez la fiche fermement dans la prise murale.</p> <p>Appuyez sur le bouton « RESET » (réinitialiser).</p> <p>Remplacez le fusible avec un fusible de type temporisé ou réenclenchez le disjoncteur.</p> <p>Allumez l'appareil et définissez le réglage souhaité.</p> <p>Vidangez l'eau de la façon décrite dans la section Vidange à la page 30.</p> <p>Lorsque la sortie d'air est supérieure à 70 °C (158 °F), la protection automatique contre la chaleur s'active. Retirez toute obstruction et laissez refroidir l'appareil.</p> <p>Réinitialisez la température.</p> <p>Réinitialisez la température.</p>
L'air sortant de l'appareil n'est pas assez froid.	<p>La température ambiante est inférieure à 16 °C (60 °F). Réinitialisez à une température plus basse.</p> <p>Le compresseur s'éteint en changeant de mode.</p>	<p>Le refroidissement ne peut se produire tant que la température ambiante n'a pas atteint 16 °C (60 °F) ou plus.</p> <p>Attendez environ trois minutes et vous devriez entendre le compresseur redémarrer lorsqu'il est réglé en mode de refroidissement.</p>
Le climatiseur refroidit, mais la pièce est trop chaude – de la glace se forme sur le serpentin refroidisseur derrière le devant.	<p>La température extérieure est inférieure à 16 °C (60 °F).</p> <p>Le filtre à air peut être sale.</p> <p>Le réglage de la température est trop bas pour le refroidissement nocturne.</p> <p>Le conduit d'évacuation n'est pas raccordé ou est bloqué.</p>	<p>Le refroidissement ne peut se produire tant que la température ambiante n'a pas atteint 16 °C (60 °F) ou plus.</p> <p>Nettoyez le filtre. Reportez-vous à la section Entretien à la page 31. Pour dégivrer, sélectionnez le mode Ventilateur seulement.</p> <p>Pour dégivrer le serpentin, sélectionnez le mode Ventilateur seulement. Ensuite, définissez la température à un réglage plus élevé.</p> <p>Reportez-vous à la section Échappement d'air Chaud à la page 25.</p>

DÉPANNAGE SUITE

PROBLÈME	CAUSES	RECOMMANDATIONS
Le climatiseur refroidit, mais la pièce est trop chaude – aucune glace ne se forme sur le serpentin refroidisseur derrière le devant.	<p>Filtre à air sale – la circulation d'air est restreinte.</p> <p>Le réglage de la température est trop élevé.</p> <p>Les grilles d'aération sont mal positionnées.</p> <p>Le devant de l'appareil est obstrué par des rideaux, des stores ou des meubles, ce qui limite la distribution de l'air.</p> <p>Des portes, des fenêtres ou des grilles à registre sont ouvertes et de l'air froid s'échappe.</p> <p>L'appareil a récemment été allumé dans une pièce chaude.</p>	<p>Nettoyez le filtre à air. Reportez-vous à la section Entretien à la page 31.</p> <p>Réglez à une température plus basse.</p> <p>Positionnez les grilles d'aération pour une meilleure distribution de l'air.</p> <p>Dégagez ce qui obstrue le devant de l'appareil.</p> <p>Fermez les portes, les fenêtres ou les grilles à registre.</p> <p>Prévoyez un délai supplémentaire pour éliminer la chaleur accumulée dans les murs, le plafond, le plancher et les meubles.</p>
Le climatiseur s'allume et s'éteint rapidement.	<p>Filtre à air sale – la circulation d'air est restreinte.</p> <p>La température extérieure est extrêmement chaude.</p>	<p>Nettoyez le filtre à air.</p> <p>Réglez la vitesse du ventilateur à une vitesse plus rapide pour faire passer l'air à travers les serpentins refroidisseurs plus fréquemment.</p>
Un bruit se fait entendre lorsque l'appareil refroidit.	<p>Son du mouvement de l'air.</p> <p>Vibration causée par un plancher inégal.</p>	<p>Cela est normal. Si le bruit est trop fort, réduisez la vitesse du ventilateur.</p> <p>Déplacez ou posez l'appareil correctement sur une surface plane.</p>
La pièce est trop froide.	Le réglage de la température est trop bas.	Augmentez le réglage de la température.
La pièce est trop chaude.	Le réglage de la température est trop élevé.	Baissez le réglage de la température.

