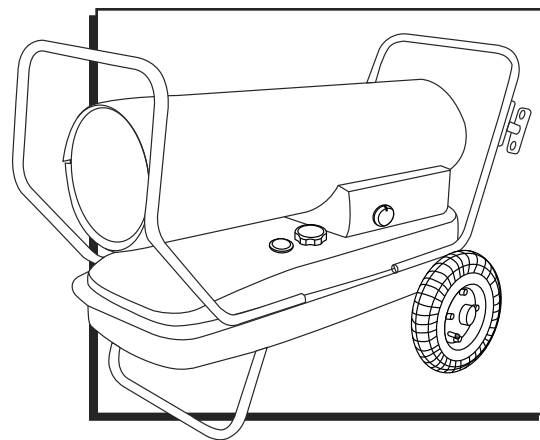


# ULINE H-6513, H-6514 MULTI-FUEL HEATER

1-800-295-5510  
uline.com



## SAFETY



**DANGER!** Read and understand all of these instructions before assembling, starting or servicing the heater. Comply with the instructions and warnings provided with this heater. Failure to comply can result in fire or explosion that can cause property loss, bodily injury or loss of life. Only persons who can follow and understand these instructions should operate or service this heater. For additional information, contact Uline Customer Service at 1-800-295-5510.



**DANGER!** Not for use in residential living areas or in enclosed spaces without adequate ventilation. For outdoor use. Indoor use permitted only for the temporary heating of adequately ventilated buildings or structures under construction, alteration or repair. This is an unvented portable heater that uses air (oxygen) from within the area in which it is used. Failure to provide adequate combustion and ventilation air will result in asphyxiation, carbon monoxide poisoning, bodily injury or death. See Ventilation on page 5.



**WARNING!** Fire, burn, inhalation and explosion hazard. Keep combustibles such as building materials, paper or cardboard a safe distance away from the heater. Never use the heater in spaces which contain products such as gasoline, solvents, paint thinners, dust particles, volatile or airborne combustibles or any unknown chemicals. Bulk fuel storage should be a minimum of 25' from heater.



**WARNING!** Do not start the heater when excess oil has accumulated.



**WARNING!** Do not start the heater when the chamber is hot.



**WARNING!** California residents: This product contains chemicals, including lead, known to the state of California to cause birth defects or other reproductive harm. Wash hands after handling.

Massachusetts residents: Massachusetts state law prohibits the use of this heater in any building that is used in whole or in part for human habitation. Use of this heating device in Massachusetts requires local fire department permit (M.G.L.C. 148, Section 10A).

New York City residents: The New York City Fire Code prohibits the storage, handling and use of kerosene fueled heaters for space heating. Any person violating that provision may be punished by a fine up to \$10,000 and a term of imprisonment of up to 6 months.

The installation of this heater shall comply with the regulations of the authorities having jurisdiction.

## SAFETY CONTINUED



**WARNING! Risk of indoor air pollution!**

The products described in these instructions are kerosene direct-fired, forced air heaters. Kerosene forced air heaters are primarily intended for use for temporary heating of buildings under construction, alteration or repair. Direct-fired means that all of the combustion products of the heater enter the heated space. This appliance is rated at 98% combustion efficiency, but does produce small amounts of carbon monoxide.



**DANGER! Carbon monoxide poison may lead to death.**

- Carbon monoxide is toxic. Humans can tolerate only small amounts of carbon monoxide, so precautions should be taken to provide proper ventilation. Failure to provide proper ventilation in accordance with these instructions can result in death.
- People with breathing problems should consult a physician before using this heater.
- Early signs of carbon monoxide poisoning resemble the flu. Symptoms of improper ventilation/carbon monoxide poisoning are headache, dizziness, nausea, dry mouth, sore throat and burning of nose and eyes.
- If you experience any of these symptoms, get fresh air at once. Have your heater serviced and check for proper ventilation. Some people are affected by carbon monoxide more than others. These include pregnant women, those with heart or lung problems, anemia or those under the influence of alcohol or at high altitudes.
- For outdoor use. Indoor use permitted only for the temporary heating of adequately ventilated buildings or structures under construction, alteration or repair. Provide at least a three square feet opening of outside air for every 100,000 BTU/HR heater rating. Refer to Ventilation on page 5 for more information.



**WARNING! Risk of electrical shock.**

- Use only the electrical power (voltage and frequency) specified on the model plate of the heater.
- Use only a properly grounded three prong outlet and extension cord.
- Always use 14 AWG or better extension cord. Always unplug the heater when not in use.
- Always install the heater so that it is not directly exposed to water spray, rain, dripping water or wind.



**WARNING! Risk of burns, fire and explosion.**

- Never use fuels such as gasoline, benzene, paint thinners or other oil compounds in this heater.
- Never refill the heater's fuel tank while the heater is operating or still hot. This heater is extremely hot while in operation.
- Never block air inlet (rear) or air outlet (front). Never use duct work in front or rear of heater. Never move or handle heater while still hot.
- Never transport heater with fuel in tank. Never use with an external fuel tank.



**CAUTION! Hot while in operation. Do not touch. Keep children, animals, clothing and combustibles away from heater.**

- Keep all combustible materials away from this heater.

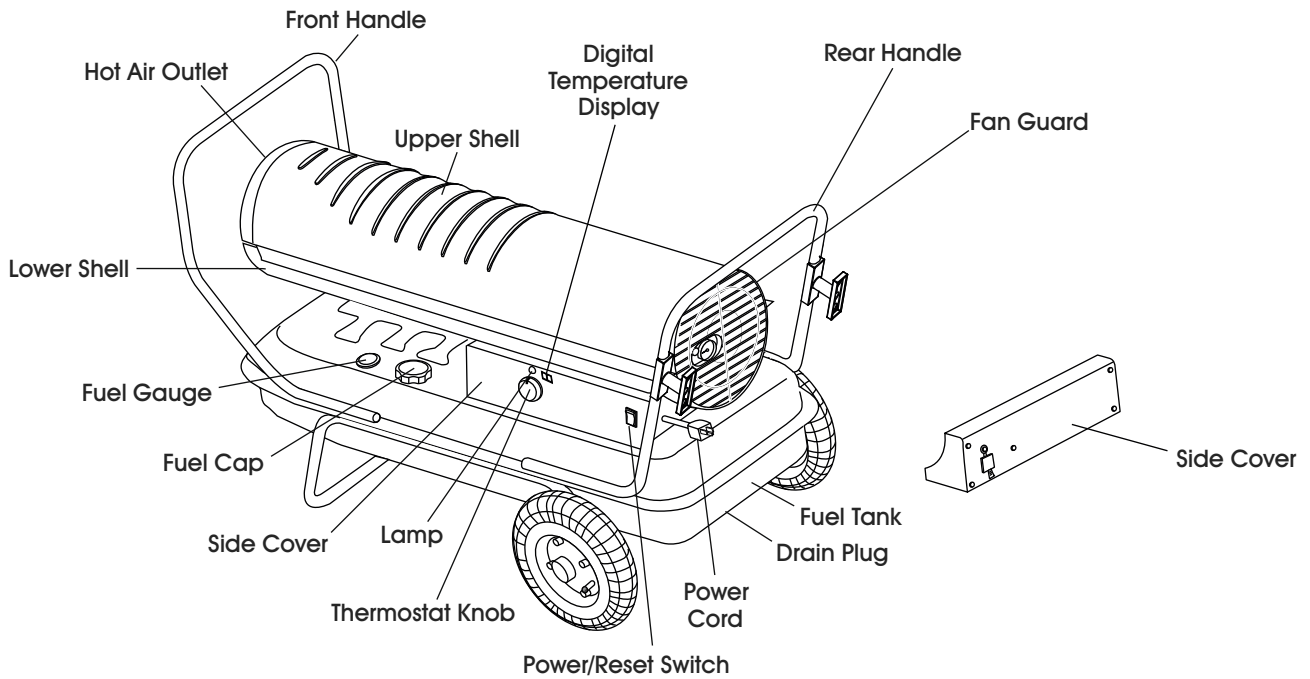
MINIMUM CLEARANCE FROM COMBUSTIBLES		
SIDES	TOP	FRONT
4'	4'	8'

- Always locate heater on a stable and level surface.
- If your heater is equipped with a thermostat, once it is plugged in, it can start at anytime in accordance with the thermostat setting.

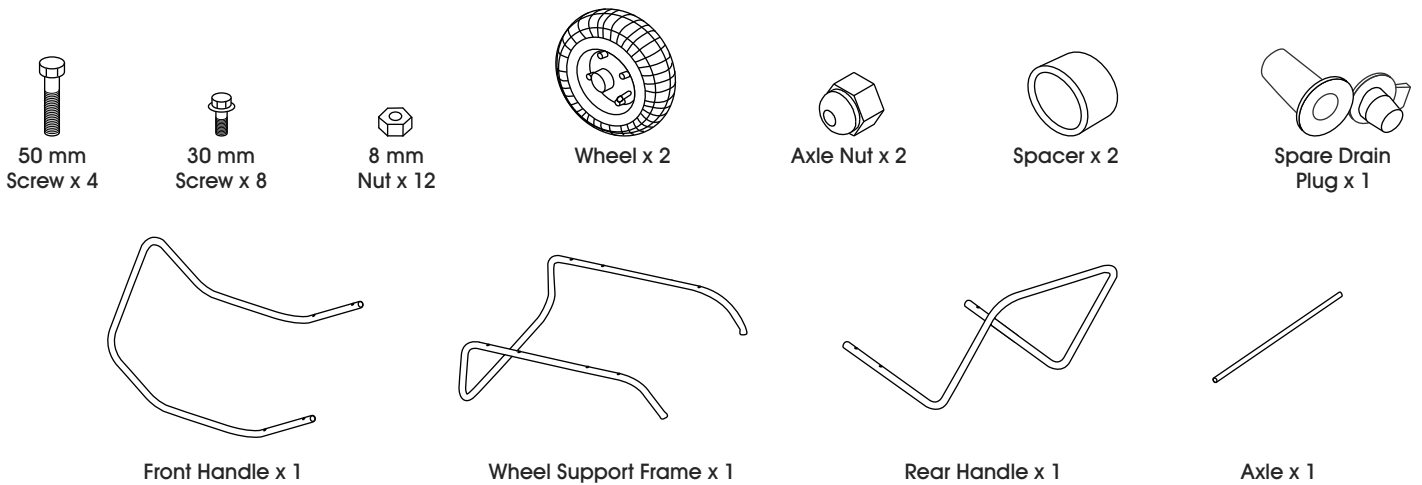
# SPECIFICATIONS

MODEL NO.	H-6513	H-6514
BTU/HR	135,000	190,000
FUEL CONSUMPTION (GAL/HR)	1.00	1.42
FUEL TANK CAPACITY (GAL)	10.0	13.0
PUMP PRESSURE (PSI)	5.5	8.5
VOLTS (AC/Hz)	120 VAC/60 Hz	120 VAC/60 Hz
AMPS	2.3 A	2.7 A
PHASE	Single	Single

# FEATURES

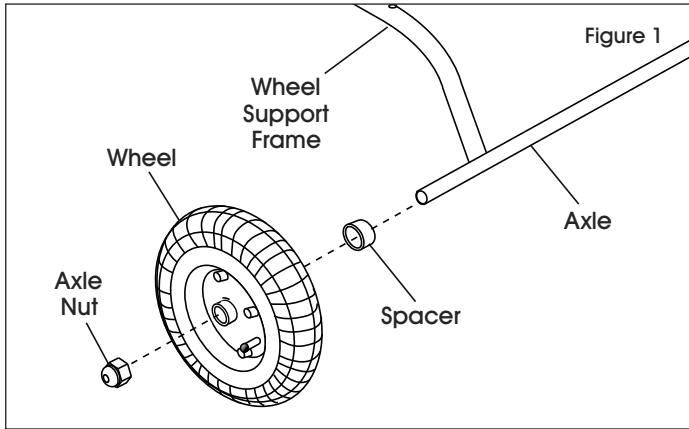


# PARTS



# ASSEMBLY

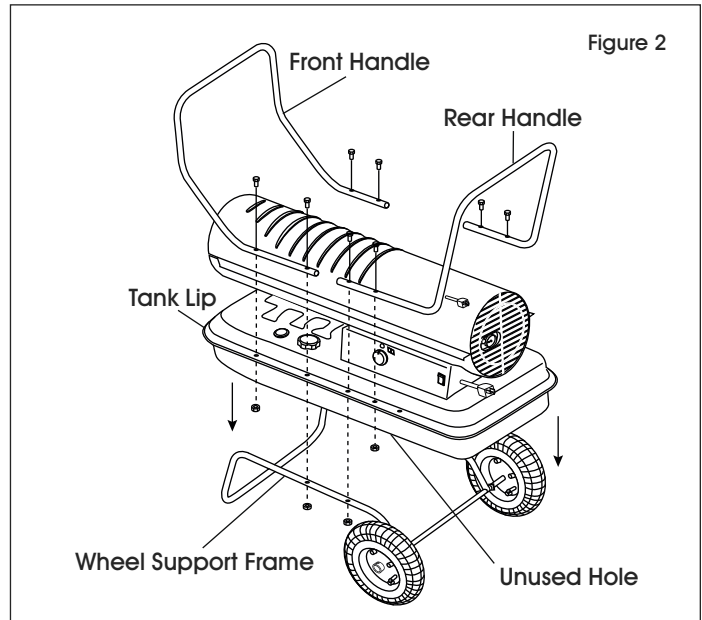
1. Insert axle through holes in wheel support frame.
2. Slide spacer onto axle.
3. Slide wheel onto axle and hold in place with axle nuts. (See Figure 1)



**NOTE:** Do not tighten nuts fully. You will need to remove the wheels in a later step.

4. Place heater on wheel support frame and line up holes on the fuel tank lip.
5. Attach front handle with two 50 mm screws and two nuts through the second hole from the front on both sides of the tank lip and wheel support frame and tighten firmly.
6. Insert two 30 mm screws through the first hole from the front in the tank lip and tighten firmly. Ensure all four screws are secure.

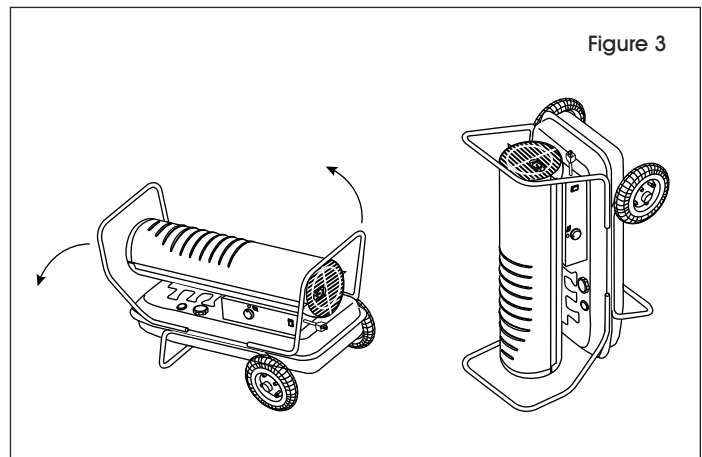
7. Attach rear handle with two 50 mm screws and two nuts through the third hole from the rear of the heater on either side. (See Figure 2)



**NOTE:** You will secure the rear handle in step 10.

8. Check that the tank does not contain fuel. If the tank is empty, gently tilt the heater so it is resting on the front handle. (See Figure 3)

**NOTE:** Do not tilt heater if tank contains fuel.



9. Remove the wheels to secure the second set of screws through the rear handle.
10. Secure the rear handle with two 30 mm screws and two nuts and tighten firmly.
11. Replace wheels and tighten with the wheel nuts.
12. Tilt heater back down onto wheels and check all screws and nuts to ensure they are secure.

# OPERATION

## FUELING THE HEATER

### KEROSENE (1-K)

For optimal performance of this heater, it is strongly suggested that 1-K kerosene be used. 1-K kerosene has been refined to virtually eliminate contaminants, such as sulfur, which can cause a rotten egg odor during the operation of the heater. Using diesel fuel can cause excess soot production. Do not use bio-diesel, as this fuel will damage heater's seals and filter.

- CSA certified for use with 1-K kerosene, no. 1 and no. 2 diesel, JP8/Jet A Fuel, no. 1 and no. 2 fuel oil.

Do not use any fuel that is not approved above.



**DANGER!** Never refuel this heater while it is hot or operating. Fire or explosion could result.



**CAUTION!** Never fill the fuel tank indoors. Always fill the tank outdoors. Ensure the heater is on level ground.



**WARNING!** Do not use gasoline or crankcase drainings.

- Never use fuel such as benzene, alcohol, white gas, camp stove fuel, paint thinners or other oil compounds in this heater. These are volatile fuels that can cause a fire or explosion.
- Never store kerosene in living space.
- Kerosene should be stored in a well-ventilated area outside the living area.
- Never store kerosene in direct sunlight or near a source of heat.
- Never use kerosene that has been stored from one season to the next. Kerosene deteriorates over time. Old kerosene will not burn properly in this heater.



**NOTE:** Kerosene should only be stored in a blue container that is clearly marked "Kerosene". Never store kerosene in a red container. Red is associated with gasoline.

## VENTILATION

- Risk of indoor air pollution and carbon monoxide poisoning. Use heater only in well ventilated areas.
- Refer to Safety section on pages 1 and 2 for information about carbon monoxide poisoning.



**DANGER!** Carbon monoxide poisoning may lead to death.

- Always provide a fresh air opening in the heated space of at least three square feet for each 100,00 BTU/HR of heater output. Provide a larger opening if more heaters are being used.

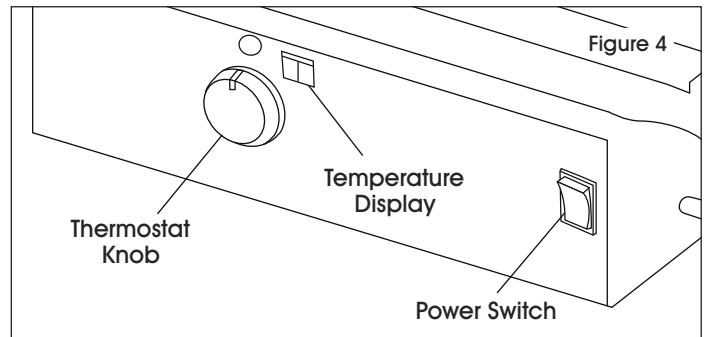
MINIMUM VENTILATION OPENING NEEDED	
H-6513	H-6514
4.1 ft. <sup>2</sup>	5.7 ft. <sup>2</sup>

## IGNITING THE HEATER

1. Fill the tank with kerosene or other approved fuel until needle on fuel gauge points to "F."
2. Replace fuel cap and tighten firmly.
3. Connect the heater to a three prong power source. A three-prong, properly grounded extension cord that is at least 6 feet long and is a minimum of 14 AWG rating must be used.
4. Turn thermostat control knob to desired temperature setting. The thermostat set range is from 40°F to 110°F.
5. Move power switch to "on" position. The power indicator light and room temperature display will illuminate and heater will ignite. (See Figure 4)



**NOTE:** If the heater does not ignite, the thermostat may be set too low. Turn the control knob to a higher setting until the heater ignites. If the heater does not ignite, turn off and check steps 1-3 above. Then, turn on.



**NOTE:** If the heater still does not ignite, refer to Troubleshooting on page 9.

The room temperature display will indicate the following:

- When the temperature is less than 0°F, the display says LO.
- When the temperature is more that 99°F, the display says HI.
- Between 0°F and 99°F the display shows actual temperature.

## STOPPING/RESTARTING HEATER

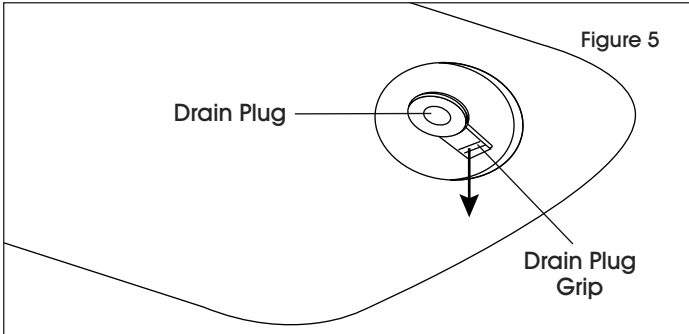
To stop the heater, move the power switch to the "off" position and unplug the power cord.

To restart the heater, wait 10 seconds and follow ignition steps.

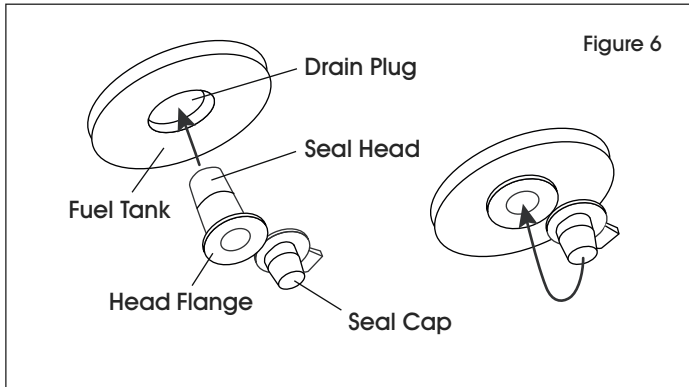
# MAINTENANCE

## LONG-TERM STORAGE

1. Drain fuel through the drain plug in the bottom of the fuel tank.
2. To remove the drain plug, pull the plug grip downward and remove the seal head from the drain hole in the tank. (See Figures 5 and 6)



3. Using a small amount of kerosene, rinse and swirl the kerosene inside of the fuel tank and empty the tank fully.
4. To replace the drain plug, push the drain head fully into the drain hole and secure by pushing the seal cap fully into the head hole. (See Figure 6)



**!** **IMPORTANT!** Never store leftover kerosene between seasons, as using old fuel can damage heater.

## SERVICE

**STOP** **WARNING!** Never service heater while it is plugged in or hot.

Do not tamper with the unit. Have a competent serviceman make any necessary adjustment or repairs.

Use only original equipment manufacturer parts. The use of alternate or third party components can cause unsafe operating conditions and will void your warranty.

**NOTE:** To order parts, call Uline Customer Service at 1-800-295-5510.

Follow a maintenance schedule as follows:

## FUEL/FUEL TANK

Flush tank every 200 hours of operation as needed.

**NOTE:** Follow the long term storage instructions to flush the tank.

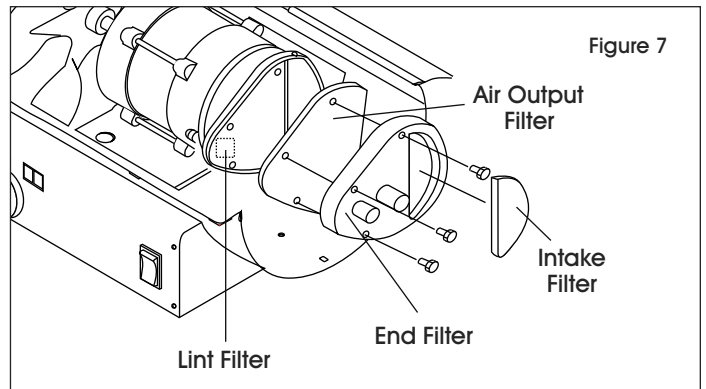
Do not flush with water; use fresh 1-K kerosene only.

## AIR FILTERS

The air intake filter should be replaced or washed with soap and water and dried thoroughly every 500 hours of operation, or less depending on conditions. (See Figure 7)

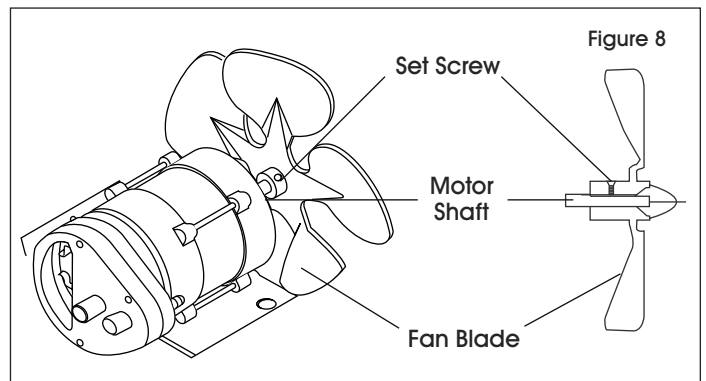
The output and lint filters should be replaced every 500 hours of operation, or less depending on conditions. (See Figure 7)

**NOTE:** Use of diesel fuel may require additional maintenance.



## FAN BLADES

Blades should be cleaned at least once per heating season, depending on conditions. Remove all accumulated dust and dirt with a damp cloth, taking care not to bend any of the fan blades. Ensure the blades are dry before restarting the heater. (See Figure 8)

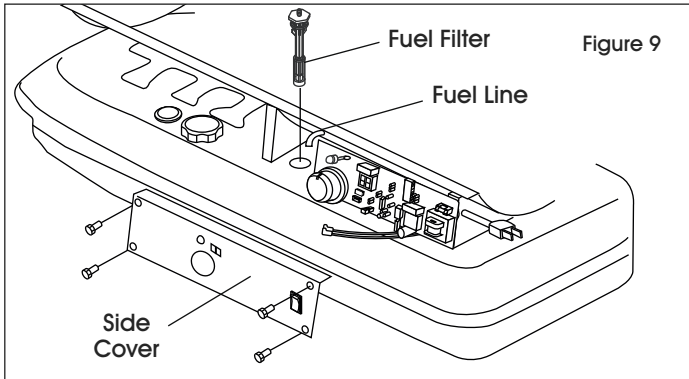


# MAINTENANCE CONTINUED

## FUEL FILTER

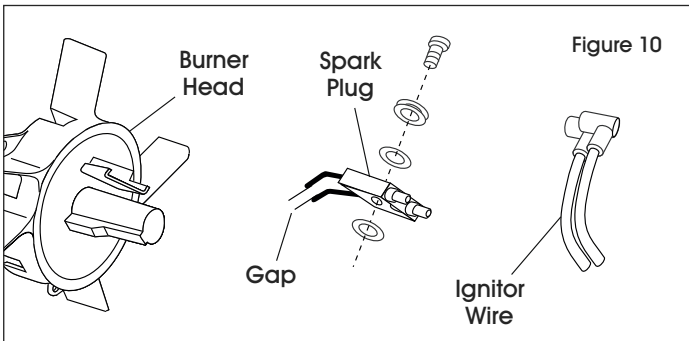
The fuel filter should be cleaned at least twice per heating season. Clean the filter by rinsing it in clean 1-K Kerosene. Contaminated fuel could make cleaning the fuel filter necessary immediately.

**NOTE:** To remove, turn filter 90° counterclockwise. (See Figure 9)



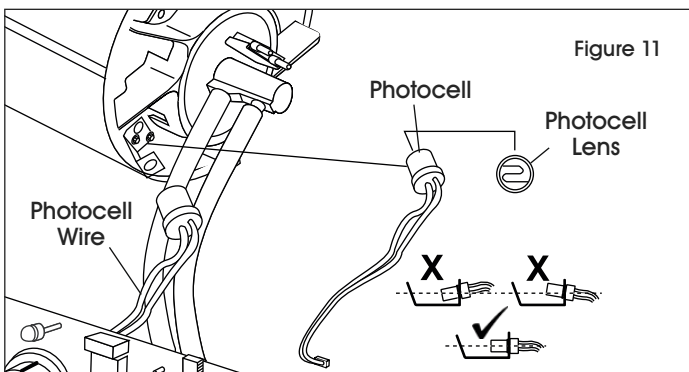
## SPARK PLUG

Clean and re-gap every 600 hours of operation, or replace as needed. After removing the spark plug, clean the terminals with a wire brush. Re-gap the terminals to 0.140". (See Figure 10)



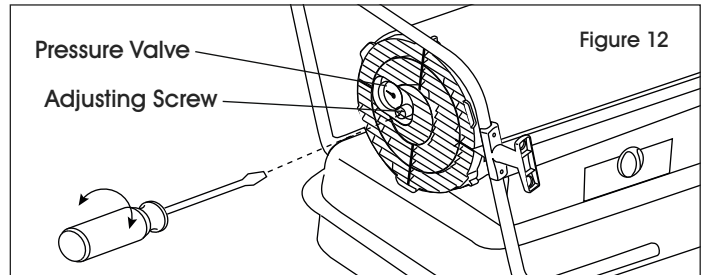
## PHOTOCELL

The photocell should be cleaned using a cotton swab dipped in alcohol or water at least once per heating season, or more depending on conditions. (See Figure 11)



## PUMP PRESSURE

1. While heater is operating, turn adjusting screw clockwise to increase or counterclockwise to decrease pressure. (See Figure 12)



2. Correct pump pressure is as follows:

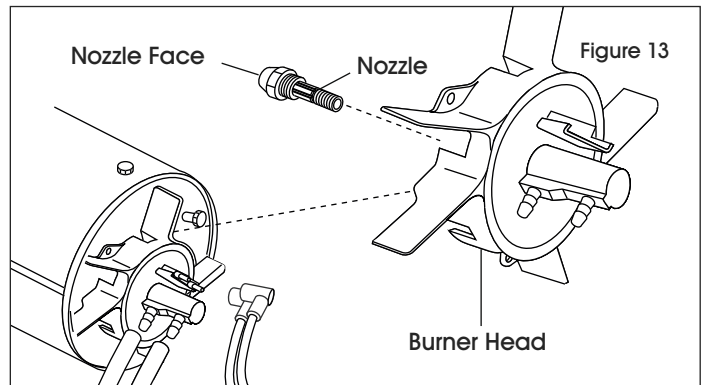
MODEL NUMBER	PUMP PRESSURE
H-6513	5.5 psi
H-6514	8.5 psi

## NOZZLES

Nozzles should be cleaned or replaced at least once per heating season. Contaminated fuel could make this necessary immediately.

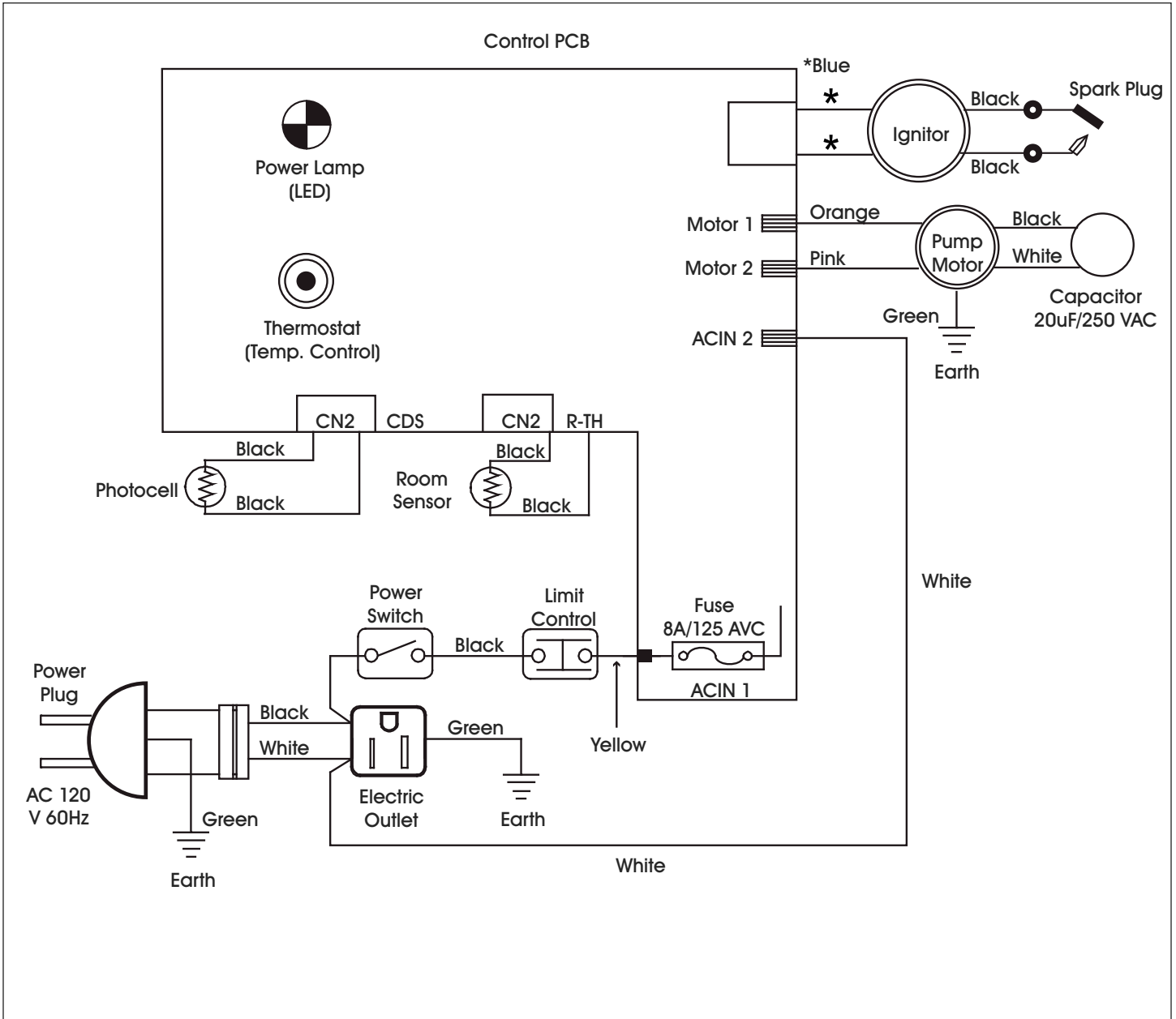
1. To clean dirt from nozzle, blow compressed air through nozzle front. (See Figure 13)

**NOTE:** It may be necessary to soak the nozzle in 1-K kerosene to loosen any dirt particles.





# WIRING DIAGRAM





# TROUBLESHOOTING

## LOCATING SERIAL NUMBER

The serial number can be found on a white label on the right side cover of heater. It will begin with two digits, the letter "H" followed by six digits. For example: 13H123456. Have serial number ready before calling Uline Customer Service at 1-800-295-5510.

OPERATING ISSUE	CAUSE	RECOMMENDATIONS
Heater ignites, but main PCB shuts off after a short period of time. Lamp flickers and LED display shows "E1."	<p>Incorrect pump pressure.</p> <p>Dirty input, output or lint filter.</p> <p>Dirty fuel filter.</p> <p>Nozzle is dirty.</p> <p>Photocell lens is dirty.</p> <p>Photocell not installed properly.</p> <p>Photocell is defective.</p> <p>Improper electrical connection between main PCB and photocell.</p>	<p>Adjust pump pressure.</p> <p>Clean or replace air or lint filter.</p> <p>Clean or replace fuel filter.</p> <p>Clean or replace nozzle.</p> <p>Clean or replace photocell.</p> <p>Adjust photocell position.</p> <p>Replace photocell.</p> <p>Check wiring connections. (See wiring diagram on page 8)</p>
Heater will not operate or motor runs for a short time. Lamp flickers and LED display shows "E1."	<p>No kerosene in the fuel tank.</p> <p>Incorrect pump pressure.</p> <p>Corroded spark plug or incorrect plug gap.</p> <p>Dirty fuel filter.</p> <p>Dirty nozzle.</p> <p>Moisture in fuel tank.</p> <p>Improper electrical connection between transformer and circuit board.</p> <p>Ignitor wire not connected to spark plug.</p> <p>Defective ignitor.</p>	<p>Fill tank with fresh kerosene.</p> <p>Adjust pump pressure.</p> <p>Clean or replace spark plug. Adjust plug gap as necessary.</p> <p>Clean or replace fuel filter.</p> <p>Clean or replace nozzle.</p> <p>Rinse fuel tank with clean, fresh kerosene.</p> <p>Inspect all electrical connections. (See wiring diagram on page 8)</p> <p>Re-attach ignitor wire to spark plug.</p> <p>Replace ignitor.</p>
Fan does not operate when heater is plugged in and power switch is in the on position. The lamp is flickering and/or LED display shows "E1" or "E2."	<p>Thermostat is set too low.</p> <p>Broken electrical connection between main PCB and motor.</p>	<p>Rotate thermostat to a higher setting.</p> <p>Inspect all electrical connections. (See wiring diagram on page 8)</p>
Lamp is flickering and LED display shows "E3."	<p>Thermostat switch has failed.</p>	<p>Replace thermostat switch. (See wiring diagram on page 8)</p>
Poor combustion and/or excess soot production.	<p>Dirty input, output or lint filter.</p> <p>Dirty fuel filter.</p> <p>Poor quality of fuel.</p> <p>PSI is too high or too low.</p>	<p>Clean or replace air or lint filter.</p> <p>Clean or replace fuel filter.</p> <p>Flush fuel tank and refuel heater.</p> <p>Use proper pressure.</p>
Heater does not turn on and the lamp is not lit.	<p>Temperature limit sensor has overheated.</p> <p>No electrical power.</p> <p>Fuse is blown.</p> <p>Improper electrical connection between temperature limit sensor and circuit board.</p>	<p>Push power switch to off and allow heater to cool for 10 minutes. Restart heater.</p> <p>Check power cords for proper connection and test the power supply.</p> <p>Check and replace the fuse.</p> <p>Inspect all electrical connections. (See wiring diagram on page 8)</p>

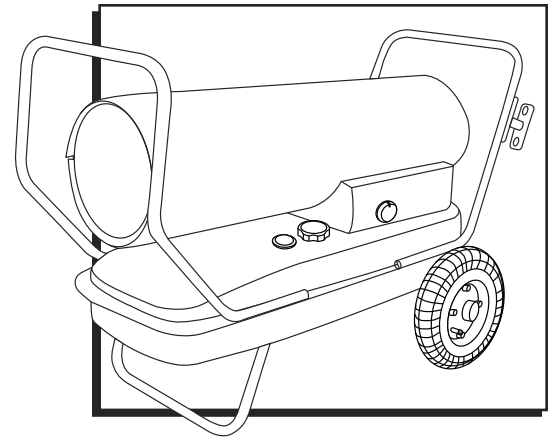
**ULINE**

1-800-295-5510  
uline.com

**ULINE** H-6513, H-6514

**CALENTADOR  
MULTICOMBUSTIBLE**

800-295-5510  
uline.mx



## SEGURIDAD



**¡PELIGRO!** Lea y comprenda todas las instrucciones antes de ensamblar, encender o dar mantenimiento al calentador. Asegúrese de cumplir con las instrucciones y advertencias proporcionadas con este calentador. El incumplimiento puede causar un incendio o explosión que ocasionaría pérdidas materiales, lesiones corporales o pérdida de la vida. Solamente las personas que puedan seguir y comprender estas instrucciones pueden utilizar o dar mantenimiento a este calentador. Si necesita mayor información, llame a Servicio a Clientes de Uline al 800-295-5510.



**¡PELIGRO!** No lo use en áreas habitacionales o espacios cerrados sin la ventilación apropiada. Para uso en exteriores. Se permite su uso en interiores solamente para: calentar temporalmente edificios o estructuras en construcción, remodelación o reparación, ventilados apropiadamente. Este es un calentador portátil sin ventilación que utiliza aire (oxígeno) del área donde está siendo utilizado. No proporcionar el área para combustión y ventilación apropiadas ocasionará asfixia, envenenamiento por monóxido de carbono, lesiones corporales o la muerte. Vea Ventilación en la página 14.



**¡ADVERTENCIA!** Riesgo de incendio, quemaduras, inhalación y explosión. Mantenga los inflamables como materiales para construcción, papel o cartón a una distancia alejada y segura del calentador. Nunca utilice el calentador en espacios donde haya productos como gasolina, solventes, diluyentes de pintura, partículas de polvo, combustibles volátiles o aerotransportados, o químicos desconocidos. El almacenamiento de combustible a granel debe estar a un mínimo de 7.6 metros (25 pies) del calentador.



**¡ADVERTENCIA!** No encienda el calentador cuando haya acumulado aceite en exceso.

**¡ADVERTENCIA!** No encienda el calentador cuando la cámara esté caliente.

**¡ADVERTENCIA!** Residentes de California: Este producto contiene químicos, incluyendo plomo, reconocido en el estado de California como causante de defectos congénitos u otros efectos dañinos. Lave sus manos después de utilizarlo.

**Residentes de Massachusetts:** La ley del estado de Massachusetts prohíbe el uso de este calentador en cualquier edificio que sea completa o parcialmente utilizado como habitación para seres humanos. El uso de este calentador en Massachusetts requiere permiso del departamento de bomberos local EUA (M.G.L.C. 148, Sección 10A).

**Residentes de la ciudad de Nueva York:** El Código de Incendios de la Ciudad de Nueva York prohíbe el almacenamiento, manejo y uso de calentadores de queroseno como calefacción de espacios. Cualquier persona que viole esta disposición puede ser castigada con una multa hasta de \$10,000 USD y una pena de prisión hasta de 6 meses.

La instalación de este calentador deberá cumplir con los reglamentos de las autoridades competentes.

## CONTINUACIÓN DE SEGURIDAD



**¡ADVERTENCIA!** ¡Riesgo de contaminación del aire en interiores!

Los productos descritos en estas instrucciones son calentadores torpedo de aire directo de queroseno y aire forzado. Los calentadores torpedo de aire forzado de queroseno tienen como propósito calentar los edificios en construcción, remodelación o reparación. Aire directo significa que todos los productos de combustión del calentador entran en el espacio de calefacción. Este aparato tiene una eficiencia de combustión de 98%, pero produce pequeñas cantidades de monóxido de carbono.



**¡PELIGRO!** El envenenamiento con monóxido de carbono puede causar la muerte.

- El monóxido de carbono es tóxico. Los seres humanos pueden tolerar solamente pequeñas cantidades de monóxido de carbono, así que deben tomarse medidas para obtener la ventilación apropiada. La falta de ventilación adecuada de acuerdo con las instrucciones de este manual puede causar la muerte.
- Las personas con problemas respiratorios deben consultar con un médico antes de utilizar el calentador.
- Los primeros signos de envenenamiento por monóxido de carbono se parecen a la gripe. Los síntomas de que existe una ventilación inadecuada/intoxicación por monóxido de carbono son dolor de cabeza, mareo, náuseas, sequedad de la boca, dolor de garganta y ardor de nariz y ojos.
- Si usted experimenta cualquiera de estos síntomas, tome aire fresco de inmediato. Dé mantenimiento a su calentador y revise que tenga la ventilación adecuada. El monóxido de carbono afecta más a algunas personas que a otras. Esto incluye mujeres embarazadas, quienes tengan problemas del corazón o pulmones, anemia o que estén bajo influencia del alcohol o en altitudes elevadas.
- Para uso en exteriores. El uso en interiores solamente está permitido para calefacción temporal de edificios ventilados o estructuras en construcción, remodelación o reparación. Proporcione al menos una abertura de tres pies cuadrados de aire exterior por cada 100,000 BTU/HR de capacidad de calefacción. Consulte Ventilación en la página 14 para más información.



**¡ADVERTENCIA!** Riesgo de descarga eléctrica.

- Utilice solamente la corriente eléctrica (voltaje y frecuencia) especificada en la placa del modelo del calentador.
- Utilice solamente el enchufe de tres clavijas y una extensión eléctrica aterrizados adecuadamente.
- Utilice siempre una extensión eléctrica calibre 14 AWG o mejor.
- Desenchufe el calentador cuando no lo utilice.
- Siempre instale el calentador de manera que no quede expuesto directamente al rocío, lluvia, goteo de agua o viento.



**¡ADVERTENCIA!** Riesgo de quemaduras, incendio y explosión.

- Nunca utilice combustibles tales como gasolina, bencina, diluyentes de pintura y otros componentes de petróleo con este calentador.
- Nunca rellene el tanque de combustible mientras el calentador esté funcionando o aún (que se encuentra todavía caliente) caliente. Este calentador está extremadamente caliente mientras está funcionando.
- Nunca bloquee el ingreso de aire (posterior o la entrada de aire (frontal)). Nunca utilice conductos en la parte delantera o posterior del calentador.
- Nunca mueva ni maniobre el calentador mientras esté caliente.
- Nunca transporte el calentador con combustible en el tanque. Nunca lo utilice con un tanque para combustible externo.



**¡PRECAUCIÓN!** Se calienta mientras está funcionando. No lo toque. Manténgase alejado de los niños, animales, ropa y combustibles.

- Mantenga alejados de este calentador todos los materiales combustibles.

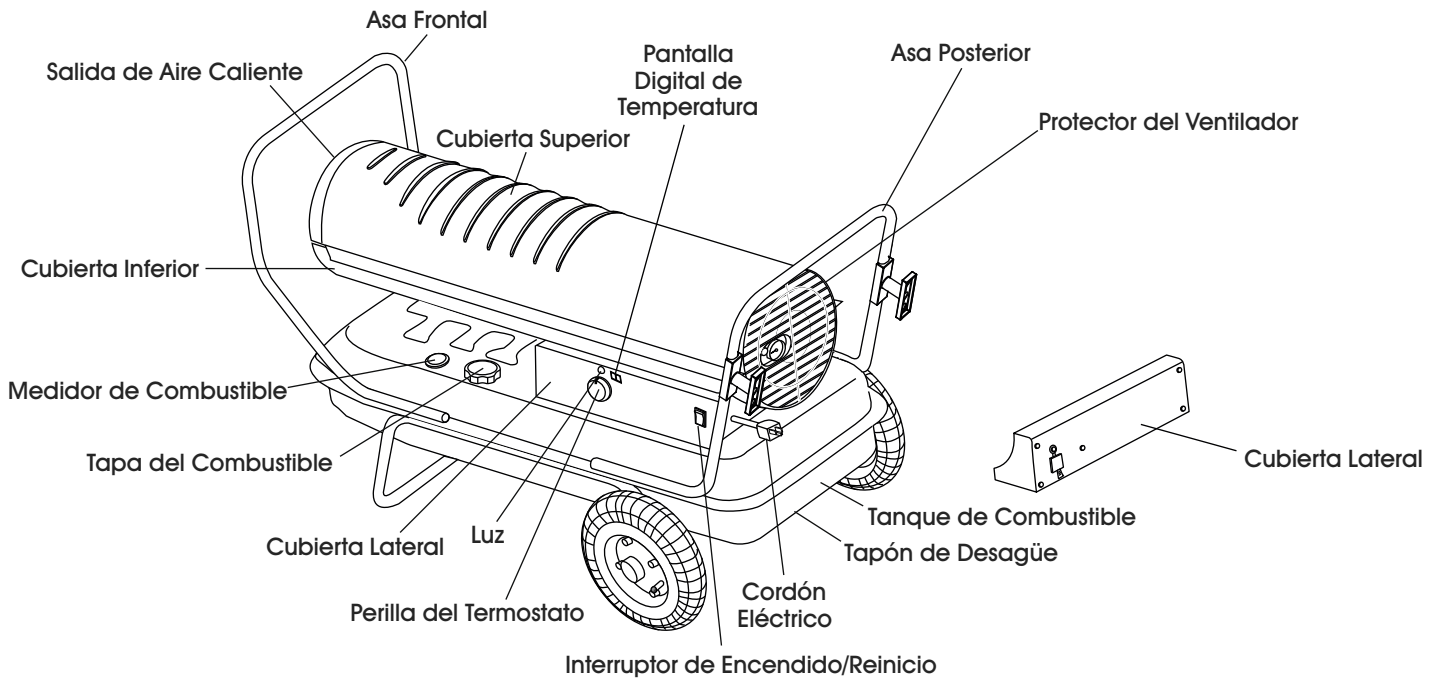
ESPACIO MÍNIMO PARA COMBUSTIBLES		
LATERALES	SUPERIOR	FRONTAL
1.2 m (4 pies)	1.2 m (4 pies)	2.4 m (8 pies)

- Siempre ubique el calentador en una superficie estable y nivelada.
- Si su calentador está equipado con un termostato, una vez que lo enchufe, puede encenderlo en cualquier momento de acuerdo con la configuración del termostato.

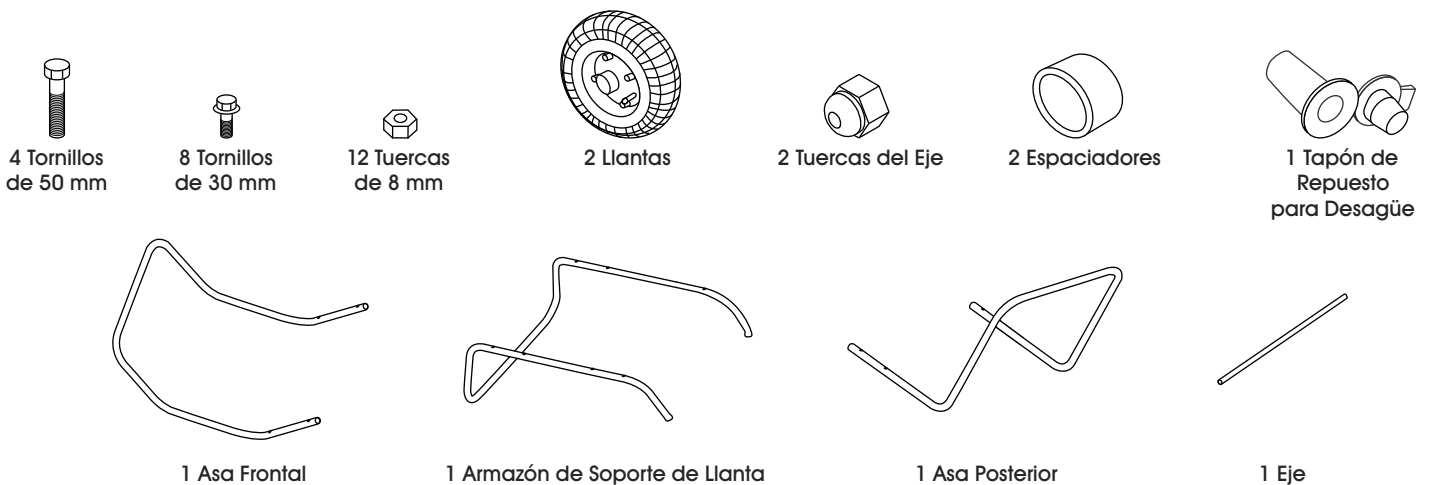
# ESPECIFICACIONES

MODELO NO.	H-6513	H-6514
BTU/HR	135,000	190,000
CONSUMO DE COMBUSTIBLE (GAL/HR)	1.00	1.42
CAP. DEL TANQUE DE COMBUSTIBLE (GALS.)	10.0	13.0
PRESIÓN DE LA BOMBA (PSI)	5.5	8.5
VOLTIOS (AC/Hz)	120 VAC/60 Hz	120 VAC/60 Hz
AMPERES	2.3 A	2.7 A
FASE	Monofásica	Monofásica

# CARACTERÍSTICAS

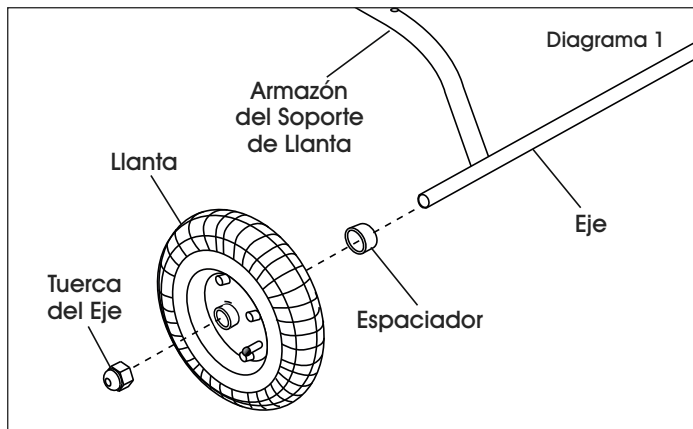


# PARTES



## ENSAMBLE

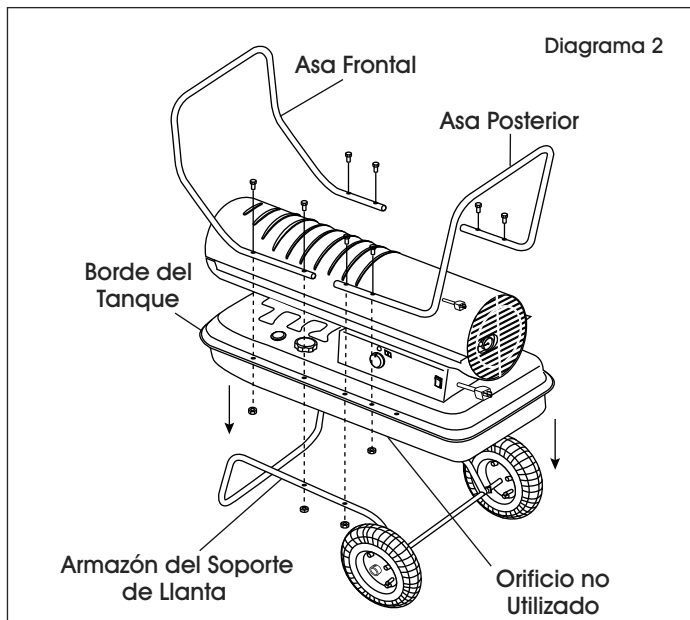
1. Inserte el eje a través de los orificios en el armazón del soporte de llanta.
2. Deslice el espaciador en el eje.
3. Deslice la llanta en el eje sosténgala en su lugar con una tuerca para eje. (Vea Diagrama 1)



**NOTA:** No apriete las tuercas completamente. En un paso más adelante, necesitará quitar las llantas.

4. Coloque el calentador en el armazón del soporte de la llanta y alinee los orificios en el borde del tanque de combustible.
5. Fije el asa frontal con dos tornillos de 50 mm y dos tuercas a través del segundo orificio de la parte frontal por ambos lados del borde del tanque y el armazón del soporte de la llanta, apriételes firmemente.
6. Inserte dos tornillos de 30 mm a través del primer orificio por el frente del borde del tanque y apriete firmemente. Cerciérese que los cuatro tornillos estén asegurados.

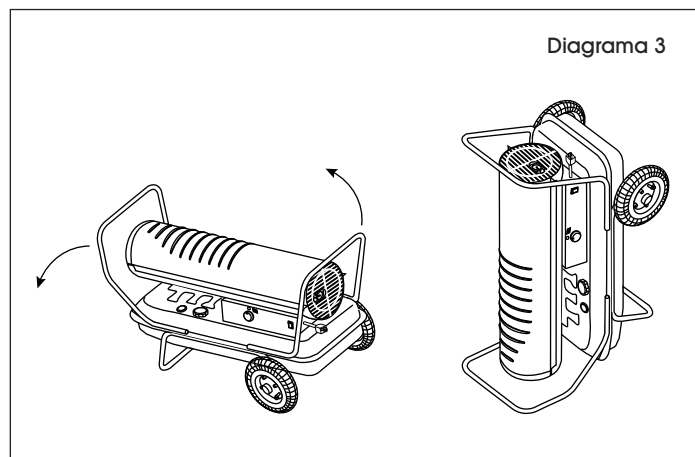
7. Fije el asa posterior con dos tornillos de 50 mm y dos tuercas a través del tercer orificio a cada lado de la parte posterior del calentador. (Vea Diagrama 2)



**NOTA:** En el paso 10 usted fijará el asa posterior.

8. Cerciérese que el tanque no contiene combustible. Si el tanque está vacío, incline despacio el calentador de manera que quede apoyado en el asa frontal. (Vea Diagrama 3)

**NOTA:** No incline el calentador si el tanque contiene combustible.



9. Quite las llantas para asegurar el segundo set de tornillos a través del asa posterior.
10. Fije el asa posterior con dos tornillos de 30 mm y dos tuercas y apriete firmemente.
11. Coloque las llantas de nuevo y apriete las tuercas.
12. Incline el calentador hacia atrás y abajo sobre las llantas y revise todos los tornillos y tuercas, cerciése de que estén asegurados.

# FUNCIONAMIENTO

## LLENE EL CALENTADOR

### QUEROSENO (1-K)

Para el funcionamiento óptimo de este calentador, se recomienda ampliamente que use el queroseno 1-K. El queroseno 1-K ha sido refinado para prácticamente eliminar los contaminantes, como el azufre, el cual puede causar olor a huevo podrido durante el funcionamiento del calentador. Utilizar diésel puede causar exceso de hollín. No utilice biodiésel, pues este combustible dañará los sellos y filtro de su calentador.

- Certificado por CSA para utilizarse con queroseno 1-K, diésel no. 1 y no. 2, Combustible JP8/Jet A, combustóleo no. 1 y no. 2.

No utilice ningún combustible que no esté aprobado arriba.



**¡PELIGRO!** Nunca rellene este calentador mientras esté caliente o funcionando. Puede incendiarse o explotar.



**¡PRECAUCIÓN!** Nunca llene el tanque en espacios interiores. Siempre llene el tanque en exteriores. Asegúrese que el calentador esté al nivel del piso.



**¡ADVERTENCIA!** No utilice gasolina o desagües de cárter.

- Nunca utilice en este calentador combustibles como benceno, alcohol, gasolina blanca, combustible de estufa para acampar, diluyentes de pintura u otros compuestos de petróleo. Estos son combustibles volátiles que pueden causar un incendio o explosión.
- Nunca almacene el queroseno en un espacio habitable.
- El queroseno deberá almacenarse en un espacio bien ventilado fuera del área habitable.
- Nunca almacene el queroseno bajo la luz solar directa o cerca de una fuente de calor.
- Nunca utilice el queroseno que ha estado almacenado de una temporada a la siguiente. El queroseno viejo no se quemará adecuadamente en este calentador.



**NOTA:** El queroseno deberá almacenarse solamente en un contenedor azul que esté claramente identificado como "Queroseno". Nunca almacene el queroseno en un contenedor rojo. El rojo está relacionado con la gasolina.

## VENTILACIÓN

- Riesgo de contaminación del aire en interiores y envenenamiento por monóxido de carbono. Utilice el calentador solamente en espacios bien ventilados.
- Consulte las páginas 10 y 11 de las Advertencias de Seguridad para mayor información sobre envenenamiento por monóxido de carbono.



**¡PELIGRO!** El envenenamiento por monóxido de carbono puede causar la muerte.

- Deje siempre en el espacio de calefacción una abertura de aire fresco al menos de tres pies cuadrados por cada 100,00 BTU/HR de salida del calentador. Deje una abertura más grande si hay más calentadores en uso.

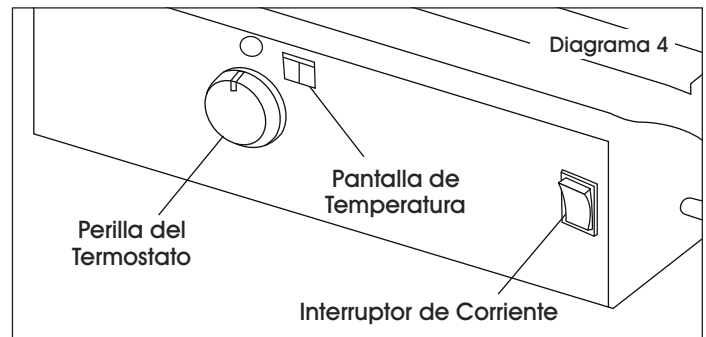
ABERTURA PARA VENTILACIÓN MÍNIMA REQUERIDA	
H-6513	H-6514
0.38 m <sup>2</sup> (4.1 ft. <sup>2</sup> )	0.53 m <sup>2</sup> (5.7 ft. <sup>2</sup> )

## ENCIENDA EL CALENTADOR

1. Llene el tanque con queroseno u otro combustible aprobado, hasta que la aguja marque "F" en el medidor de combustible.
2. Coloque la tapa del combustible de nuevo y apriete firmemente.
3. Conecte el calentador a un tomacorriente para tres clavijas. Debe usar un cable eléctrico de tres clavijas, que haga tierra de manera adecuada y que sea al menos de 1.80 m (6 pies) de largo y con un calibre mínimo de 14 AWG.
4. Gire la perilla del termostato de control para configurar a la temperatura deseada. El rango de ajuste del termostato es de 4°C a 43°C (40°F a 110°F).
5. Mueva el interruptor de corriente a la posición de encendido. La luz indicadora de energía y la pantalla de temperatura de la habitación se iluminará y el calentador encenderá. (Vea Diagrama 4)



**NOTA:** Si el calentador no enciende, tal vez el termostato esté configurado muy bajo. Gire la perilla de control a una configuración más alta hasta que el calentador encienda. Si el calentador no enciende, apague y revise los pasos 1-3 mencionados arriba. Luego, encienda.



**NOTA:** Si el calentador aun no enciende, consulte la página 18 para Solución de Problemas.

La pantalla de la temperatura de la habitación indicará lo siguiente:

- Cuando la temperatura es menor a -17°C (0°F), la pantalla dice LO.
- Cuando la temperatura es mayor a 37°C (99°F), la pantalla dice HI.
- Entre -17°C y 37°C (0°F y 99°F), la pantalla muestra la temperatura real.

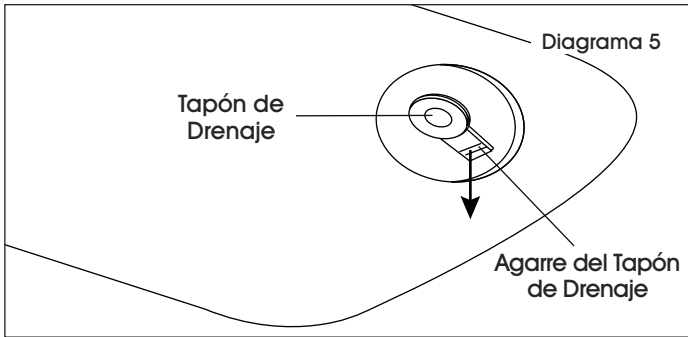
## CALENTADOR SE DETIENE/REINICIA

Para detener el calentador, mueva el interruptor de corriente a la posición de apagado y desenchufe el cable eléctrico.

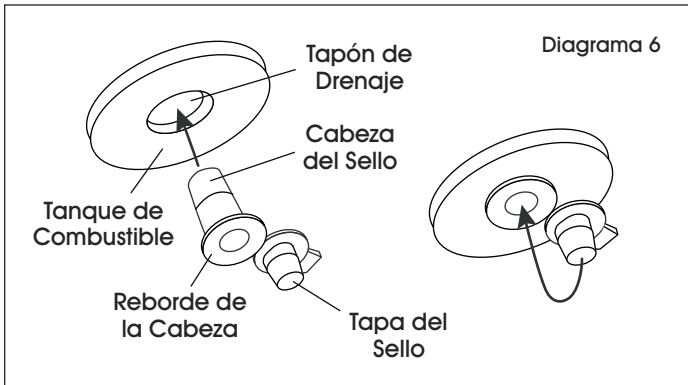
Para reiniciar el calentador, espere 10 segundos y siga los pasos de encendido.

## ALMACENAMIENTO POR LARGO TIEMPO

1. Drene el combustible a través del tapón de desagüe, en la parte inferior del tanque de combustible.
2. Quite el tapón de desagüe, jalando el agarre del tapón hacia abajo y quitando la cabeza del sello del orificio de drenaje del tanque. (Vea Diagramas 5 y 6)



3. Enjuague y disemine un poco de queroseno en el interior del tanque de combustible y vacíe el tanque completamente.
4. Para reemplazar el tapón de desagüe, empuje la cabeza del desagüe totalmente dentro del orificio de desagüe y fíjelo empujando la tapa del sello completamente dentro del orificio de la cabeza. (Vea Diagrama 6)



**IMPORTANTE!** Nunca almacene el sobrante de queroseno entre una temporada y otra, utilizar el combustible viejo puede dañar el calentador.

## MANTENIMIENTO



**¡ADVERTENCIA!** Nunca le dé mantenimiento mientras está conectado o caliente.

No modifique la unidad. Haga que un técnico especializado realice los ajustes o reparaciones necesarios.

Utilice solo partes originales del fabricante del equipo. El uso de componentes similares o de otra compañía pueden crear condiciones de funcionamiento inseguras y anulará su garantía.



**NOTA:** Ordene partes llamando a Servicio a Clientes de Uline al 800-295-5510.

Siga el programa de mantenimiento como sigue:

### COMBUSTIBLE/TANQUE DE COMBUSTIBLE

Lave el tanque cada 200 horas de funcionamiento según lo requiera.



**NOTA:** Siga las instrucciones de las instrucciones para almacenamiento para lavar el tanque.

No lo enjuague con agua; utilice solamente queroseno 1-K.

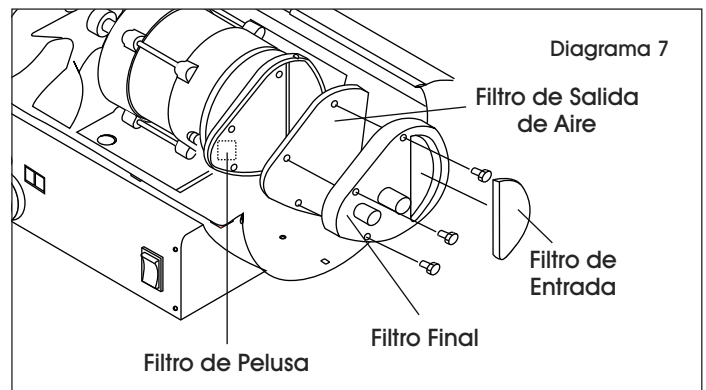
### FILTROS DE AIRE:

El filtro de entrada de aire debe reemplazarse o lavarse con jabón, y secarse cuidadosamente cada 500 horas de funcionamiento o menos dependiendo de las condiciones. (Vea Diagrama 7)

Los filtros de salida y pelusa deben reemplazarse cada 500 horas de funcionamiento, o menos dependiendo de las condiciones. (Vea Diagrama 7)

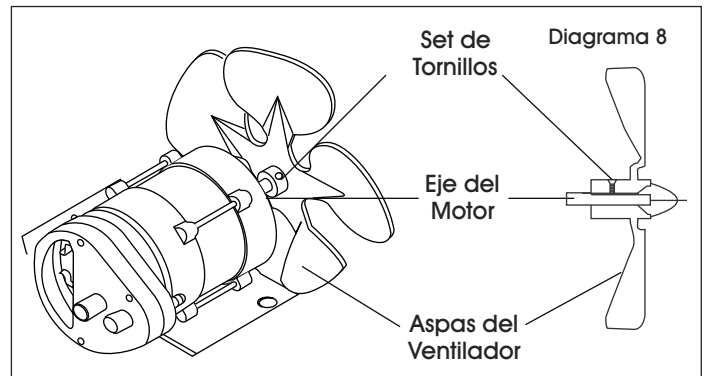


**NOTA:** Puede requerir mantenimiento adicional si utiliza diésel como combustible.



### ASPAS DEL VENTILADOR

Las aspas deben limpiarse al menos una vez cada temporada, dependiendo de las condiciones. Con un trapo húmedo retire todo el polvo y suciedad acumulados, cuidando de no doblar ninguna de las aspas del ventilador. Cerciórese que las aspas están secas antes de reiniciar el calentador. (Vea Diagrama 8)



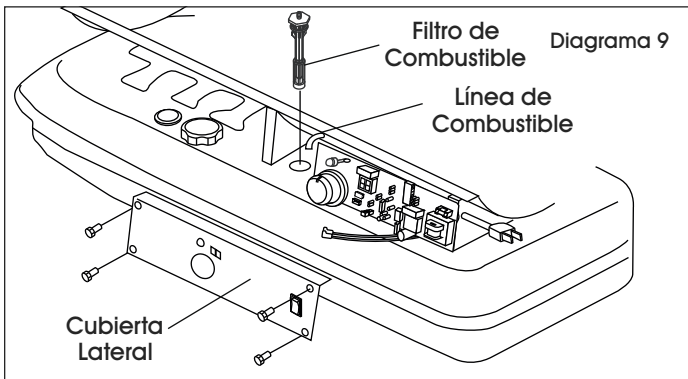


# MANTENIMIENTO

## FILTRO DE COMBUSTIBLE

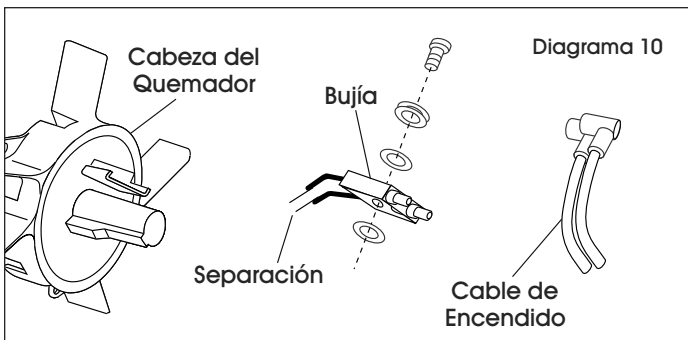
El filtro de combustible debe limpiarse al menos dos veces por temporada. Limpie el filtro enjuagándolo por dentro con Queroseno 1-K. Un combustible contaminado puede hacer necesario que se limpie el filtro de combustible de inmediato.

**NOTA:** Retírelo girando el filtro 90° en sentido contrario a las manecillas del reloj. (Vea Diagrama 9)



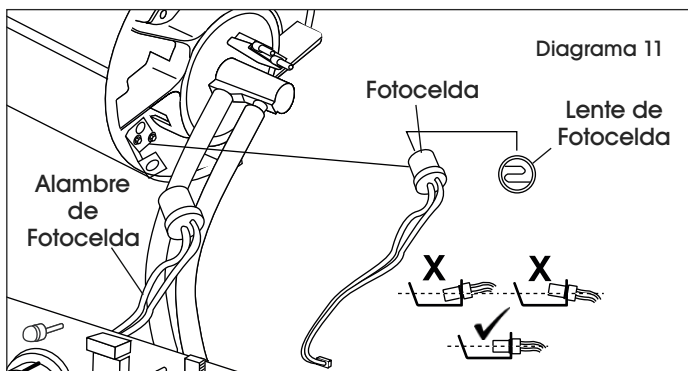
## BUJÍA

Limpie y reajuste cada 600 horas de funcionamiento, o reemplace cuando se requiera. Después de quitar la bujía, limpie las terminales con un cepillo de alambre. Reajuste las terminales a 3.556 mm (0.140"). (Vea Diagrama 10)



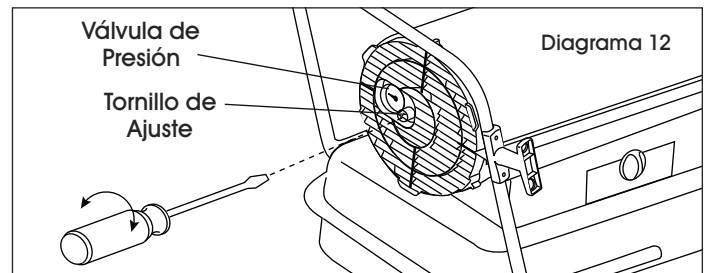
## FOTOCELDA

La fotocelda debe limpiarse utilizando un hisopo de algodón impregnado de alcohol o agua al menos una vez por temporada, o más dependiendo de las condiciones. (Vea Diagrama 11)



## PRESIÓN DE LA BOMBA

- Mientras el calentador esté funcionando, gire el tornillo de ajuste en sentido de las manecillas del reloj para aumentar, y para disminuir la presión en sentido contrario de las manecillas del reloj. (Vea Diagrama 12)



- La presión correcta de la bomba es como sigue:

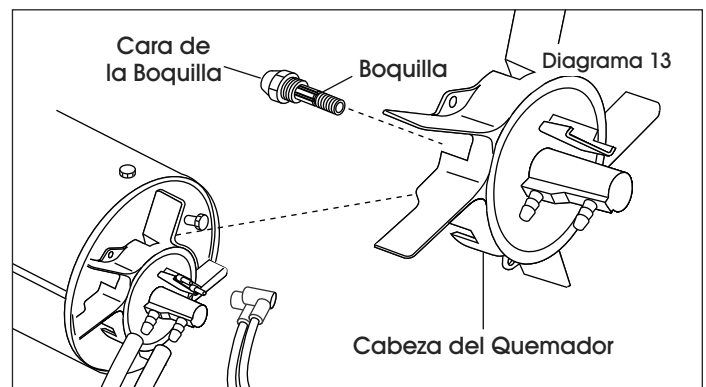
NÚMERO DE MODELO	PRESIÓN DE LA BOMBA
H-6513	5.5 psi
H-6514	8.5 psi

## BOQUILLAS

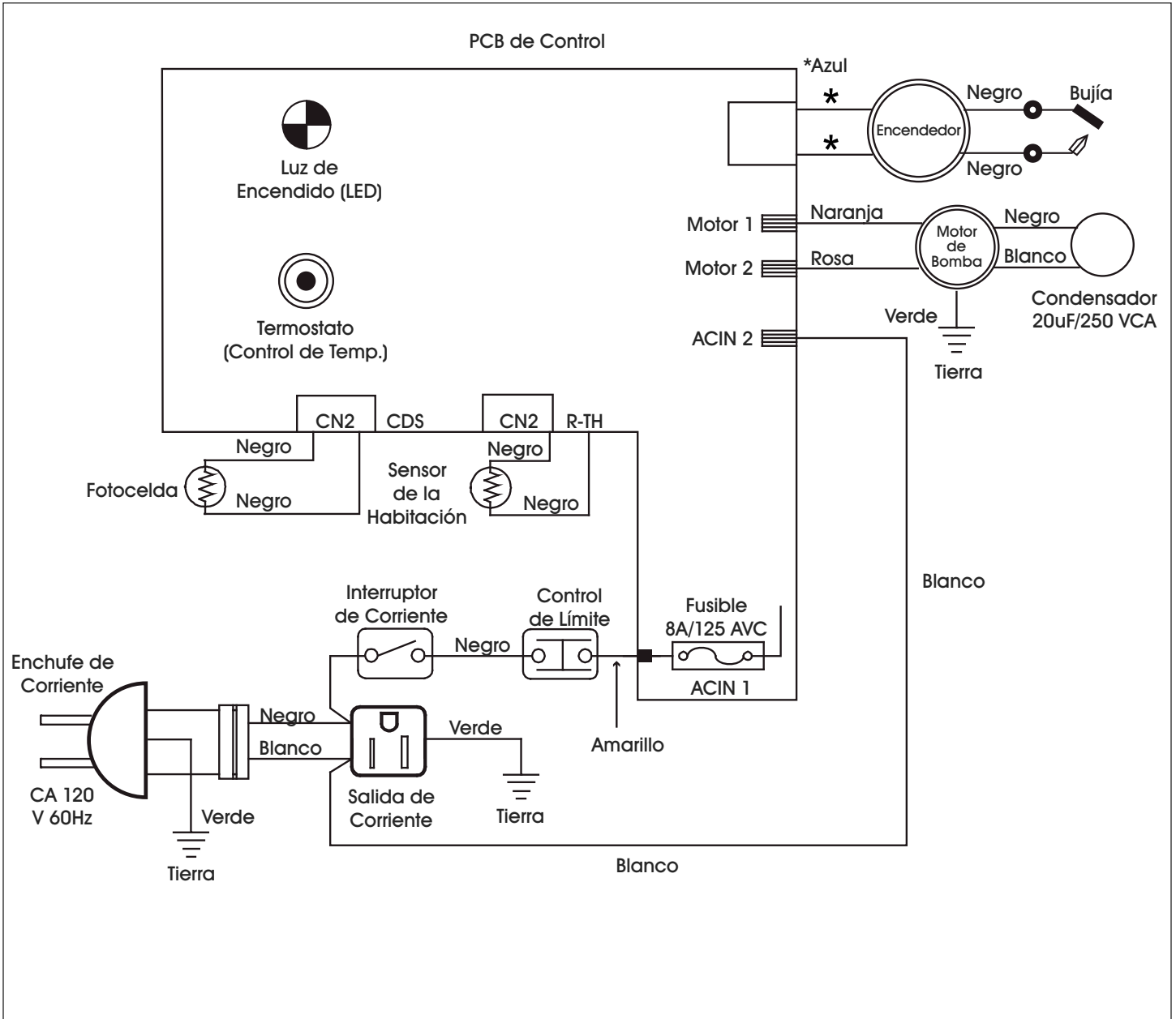
Las boquillas deben limpiarse o reemplazarse al menos una vez por temporada. El combustible contaminado puede hacer necesario este cambio de inmediato.

- Limpie la suciedad de la boquilla, pasando aire con el compresor a través del frente de la boquilla. (Vea Diagrama 13)

**NOTA:** Puede ser necesario sumergir la boquilla en queroseno 1-K para desprender cualquier partícula de suciedad.



# DIAGRAMA DE CABLEADO



# SOLUCIÓN DE PROBLEMAS

## LOCALICE SU NÚMERO DE SERIE

Su número de serie puede encontrarse en una etiqueta blanca en el lado derecho de la cubierta de su calentador. Comienza con dos dígitos, la letra "H" seguida de seis dígitos. Por ejemplo: 13H123456. Tenga a la mano su número de serie antes de llamar al Servicio a Clientes de Uline al 800-295-5510.

PROBLEMA DE FUNCIONAMIENTO	CAUSA	RECOMENDACIÓN
El calentador enciende, pero el PCB principal se apaga después de un corto periodo de tiempo. La luz parpadea y la pantalla LED muestra "E1".	<p>Presión incorrecta de la bomba.</p> <p>Filtro sucio de entrada, salida y pelusa.</p> <p>Filtro sucio de combustible.</p> <p>Boquilla sucia.</p> <p>Lente de fotocelda sucia.</p> <p>Fotocelda instalada de forma inadecuada.</p> <p>Fotocelda defectuosa.</p> <p>Conexión eléctrica inapropiada entre el PCB principal y la fotocelda.</p>	<p>Ajuste la presión de la bomba.</p> <p>Limpie o reemplace el filtro de aire o pelusa.</p> <p>Limpie o reemplace el filtro de combustible.</p> <p>Limpie o reemplace la boquilla.</p> <p>Limpie o reemplace la fotocelda.</p> <p>Ajuste la posición de la fotocelda.</p> <p>Reemplace la fotocelda.</p> <p>Revise las conexiones del cableado. (Vea el diagrama del cableado en la página 17)</p>
El calentador no funciona o el motor arranca por poco tiempo. La luz parpadea y la pantalla LED muestra "E1".	<p>Tanque de combustible sin queroseno.</p> <p>Presión incorrecta de la bomba.</p> <p>Bujía corroída o separación incorrecta entre los electrodos.</p> <p>Filtro sucio de combustible.</p> <p>Boquilla sucia.</p> <p>Humedad en el tanque de combustible.</p> <p>La conexión eléctrica entre el transformador y la tarjeta de circuito es inadecuada.</p> <p>El cable de encendido no está conectado a la bujía.</p> <p>Encendedor defectuoso.</p>	<p>Llene el tanque con queroseno nuevo.</p> <p>Ajuste la presión de la bomba.</p> <p>Limpie o reemplace la bujía. Ajuste la separación de electrodos cuando sea necesario.</p> <p>Limpie o reemplace el filtro de combustible.</p> <p>Limpie o reemplace la boquilla.</p> <p>Enjuague el tanque de combustible con queroseno limpio y nuevo.</p> <p>Inspeccione todas las conexiones eléctricas. (Vea el diagrama de cableado en la página 17)</p> <p>Coloque de nuevo el cable de encendido a la bujía.</p> <p>Reemplace el encendedor.</p>
El ventilador no funciona cuando conecta el calentador y el interruptor eléctrico está en la posición de encendido. La luz está parpadeando y/o la pantalla LED muestra "E1" o "E2".	<p>El termostato está configurado muy bajo.</p> <p>No funciona la conexión eléctrica entre el PCB principal y el motor.</p>	<p>Gire el termostato a una configuración más alta.</p> <p>Inspeccione todas las conexiones eléctricas. (Vea el diagrama de cableado de la página 17)</p>
La luz está parpadeando y la pantalla LED muestra "E3".	<p>El interruptor del termostato falló.</p>	<p>Reemplace el interruptor del termostato. (Vea el diagrama de cableado de la página 17)</p>
Combustión baja y/o exceso de producción de hollín.	<p>Filtro sucio de entrada, salida y pelusa.</p> <p>Filtro sucio de combustible.</p> <p>Baja calidad del combustible.</p> <p>PSI demasiado alto o bajo.</p>	<p>Limpie o reemplace el filtro de aire o pelusa.</p> <p>Limpie o reemplace el filtro de combustible.</p> <p>Enjuague el tanque de combustible y lleve de nuevo el calentador.</p> <p>Utilice la presión adecuada.</p>
El calentador no enciende y la luz no está encendida.	<p>El sensor del límite de la temperatura se ha sobrecalentado.</p> <p>No hay corriente eléctrica.</p> <p>Se fundió el fusible.</p> <p>La conexión eléctrica entre el sensor del límite de la temperatura y la tarjeta de circuito es inadecuada.</p>	<p>Presione el interruptor para apagarlo y permita al calentador enfriarse por 10 minutos. Reinicie el calentador.</p> <p>Revise que los cables eléctricos estén debidamente conectados y pruebe el suministro de energía.</p> <p>Revise y reemplace el fusible.</p> <p>Inspeccione todas las conexiones eléctricas. (Vea el diagrama de cableado en la página 17)</p>

**ULINE**

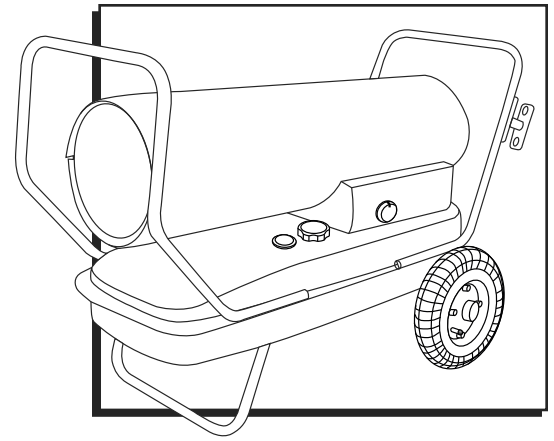
800-295-5510

uline.mx

# ULINE H-6513, H-6514

## APPAREIL DE CHAUFFAGE À MULTIPLE CARBURANT

1 800 295-5510  
uline.ca



### SÉCURITÉ



**DANGER!** Lire et bien comprendre toutes les présentes instructions avant d'assembler, de mettre en marche ou d'entretenir cet appareil. Assurez-vous de vous conformer aux instructions et avertissements inclus. Leur non-respect peut entraîner des pertes matérielles, des blessures corporelles ou la mort causés par un incendie ou une explosion. Seules les personnes qui comprennent et respectent les instructions peuvent utiliser ou réparer cet appareil de chauffage. Si vous avez besoin d'informations supplémentaires, contactez le service à la clientèle de Uline au 1 800 295-5510.



**DANGER!** Ne pas utiliser dans les zones résidentielles, ou dans un espace clos ou sans ventilation adéquate. Pour utilisation extérieure. L'utilisation intérieure n'est autorisée que dans les cas suivants : le chauffage temporaire de bâtiments bien ventilés ou de structures en construction, de rénovation ou de réparation. Il s'agit d'un appareil de chauffage portable non-ventilé qui consomme l'air (oxygène) contenu dans la zone où il est utilisé. Ne pas fournir de combustion ou de ventilation adéquates peut provoquer une asphyxie, une intoxication au monoxyde de carbone, des blessures corporelles ou la mort. Consultez la section Ventilation à la page 23.



**AVERTISSEMENT!** Risque d'incendie, de brûlures, d'inhalation et d'explosion. Maintenez les produits combustibles tels que les matériaux de construction, le papier ou le carton, à une distance sécuritaire de l'appareil de chauffage. N'utilisez jamais cet appareil dans des endroits qui contiennent des substances combustibles volatiles ou en suspension, ou des produits tels que l'essence, les solvants, les diluants, les poussières combustibles ou les produits chimiques inconnus. Il est recommandé de maintenir cet appareil à une distance d'au moins 7.6 mètres (25 pi) de tout réservoir de carburant.



**AVERTISSEMENT!** Ne jamais mettre en marche cet appareil en cas d'accumulation d'huile.



**AVERTISSEMENT!** Ne jamais utiliser cet appareil lorsque la chambre de combustion est chaude.



**AVERTISSEMENT!** Résidents de Californie : Cet appareil contient des produits chimiques, dont le plomb, que l'État de Californie considère comme sources de malformations congénitales ou de troubles de l'appareil reproducteur. Lavez-vous les mains après manipulation.

Résidents du Massachussets : La législation de l'État du Massachussets interdit l'utilisation de cet appareil à l'intérieur de tout bâtiment utilisé entièrement ou en partie pour l'habitat humain. L'utilisation de cet appareil de chauffage au Massachussets requiert l'obtention d'un permis du service d'incendie local (M.G.L.C. 148, Section 10A).

Résidents de la Ville de New York : Le Code de prévention des incendies de la Ville de New York interdit l'entreposage, le maniement et l'utilisation des appareils de chauffage à kerosène pour le chauffage des bâtiments. Toute personne qui contrevient à cette disposition est passible d'une amende pouvant aller jusqu'à 10 000 \$ et d'un emprisonnement d'une durée maximum de 6 mois.

L'installation de cet appareil doit se faire en concordance avec les règlements des autorités compétentes.



**AVERTISSEMENT!** Danger de pollution intérieure des locaux!

Les appareils de chauffage à air pulsé et au kérosène à combustion directe mentionnés dans les présentes instructions sont principalement conçus pour le chauffage temporaire de bâtiments en cours de construction, de rénovation ou de réparation. Les produits issus du processus de combustion directe sont rejetés dans l'espace chauffé. Cet appareil a un rendement de combustion de 98 %, mais produit tout de même de petites quantités de monoxyde de carbone.



**DANGER!** L'intoxication au monoxyde de carbone peut causer la mort.

- Le monoxyde de carbone est toxique même en petite quantité. Il est donc recommandé de prendre toutes les précautions nécessaires afin de fournir une ventilation adéquate. Ne pas suivre les présentes instructions de ventilation peut entraîner la mort.
- Les personnes souffrant de problèmes respiratoires doivent consulter un médecin avant d'utiliser cet appareil.
- Les premiers symptômes de l'intoxication au monoxyde de carbone ressemblent à ceux de la grippe. Les symptômes d'une ventilation non adéquate sont : mal de tête, étourdissement, nausée, bouche sèche, maux de gorge et brûlures des yeux et du nez.
- Si vous ressentez ces symptômes, allez immédiatement respirer de l'air frais. Faites appel à un technicien pour entretenir votre appareil de chauffage et vérifiez que la ventilation est adéquate. Certains individus sont plus susceptibles d'être affectés par le monoxyde de carbone, y compris les femmes enceintes, les personnes souffrant de problèmes respiratoires ou cardiaques, ou d'anémie, ainsi que les personnes sous l'emprise de l'alcool ou se trouvant à haute altitude.
- Uniquement pour utilisation à l'extérieur. Utilisation intérieure uniquement autorisée pour le chauffage temporaire de bâtiments bien ventilés ou structures en cours de construction, de rénovation ou de réparation. Laissez un espace d'air frais de trois pied carrés minimum pour chaque 100 000 BTU/h. Consultez la section Ventilation à la page 23 pour plus d'information.



**AVERTISSEMENT!** Risque de choc électrique.

- Utilisez uniquement la puissance électrique (tension et fréquence) spécifiée sur la plaque signalétique de l'appareil.
- Utilisez uniquement une prise et une rallonge à trois broches mises à la terre.
- Utilisez une rallonge de 14 AWG minimum. Débranchez toujours l'appareil hors utilisation.
- Installez toujours l'appareil de manière à ce qu'il ne soit jamais directement exposé à la pluie, aux éclaboussures, aux dégouttements ou au vent.



**AVERTISSEMENT!** Risque de brûlures, d'incendie et d'explosion.

- Ne jamais utiliser de carburants tels que l'essence, le benzène, les diluants ou tout autre composé d'huile dans cet appareil.
- Ne jamais remplir le réservoir lorsque l'appareil est en marche, ou encore chaud. Cet appareil de chauffage devient brûlant lors de son utilisation.
- Ne jamais bloquer l'entrée (à l'arrière) ou la sortie (à l'avant) d'air. Ne jamais utiliser de conduits à l'avant ou à l'arrière de cet appareil. Ne jamais manipuler ou déplacer l'appareil s'il est encore chaud.
- Ne jamais déplacer l'appareil lorsque le réservoir est rempli de carburant. Ne jamais utiliser avec un réservoir externe.



**MISE EN GARDE!** Extrêmement chaud lors de son utilisation. Ne pas toucher. Maintenez les enfants, les animaux, les vêtements et les combustibles à l'écart de l'appareil.

- Maintenez tous les matériaux combustibles à l'écart de cet appareil.

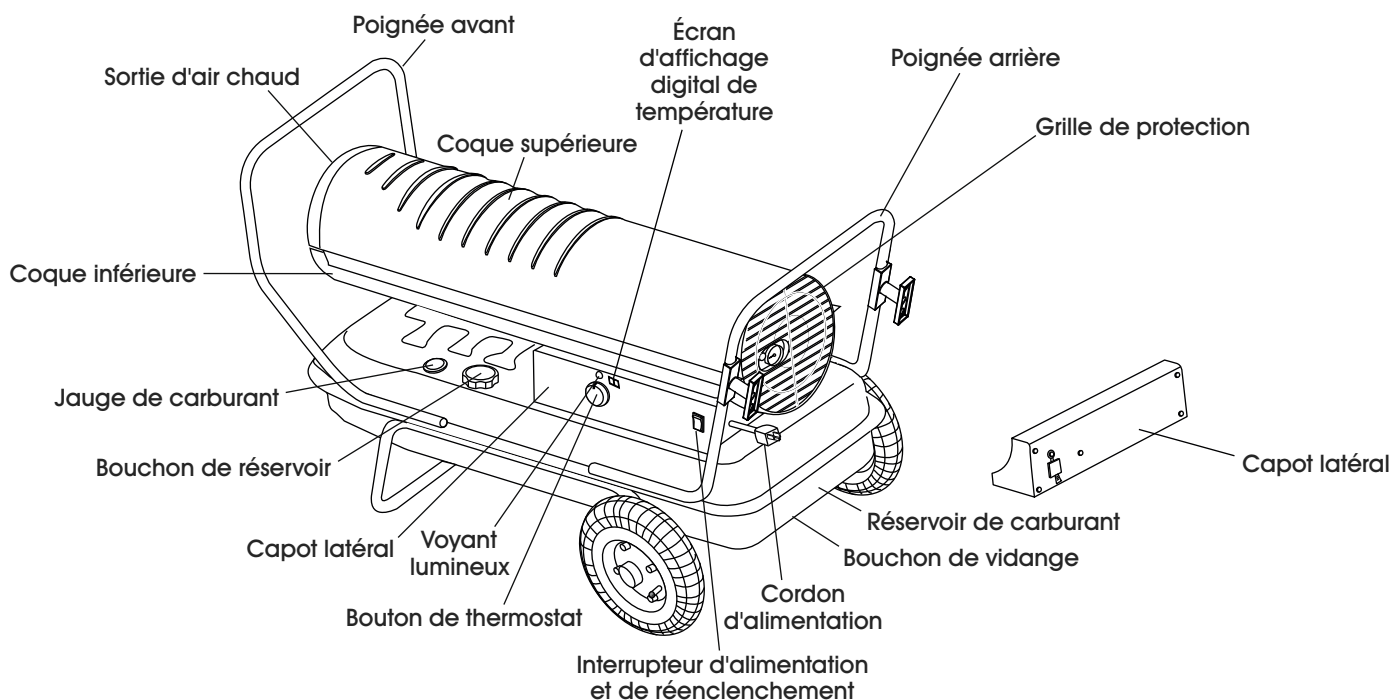
DISTANCE MINIMUM DES COMBUSTIBLES		
CÔTÉS	DESSUS	DEVANT
1,2 m (4 pi)	1,2 m (4 pi)	2,4 m (8 pi)

- Assurez-vous que l'appareil soit toujours positionné sur une surface nivelée et stable.
- Si l'appareil de chauffage est équipé d'un thermostat, il peut se mettre en marche à tout moment conformément au réglage du thermostat une fois branché.

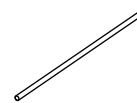
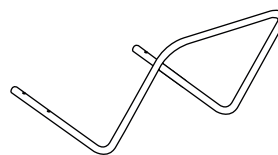
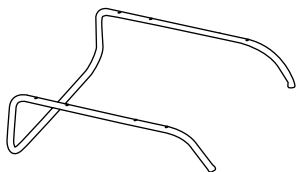
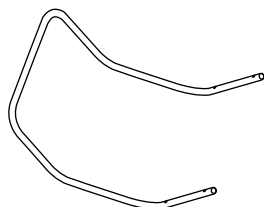
# SPÉCIFICATIONS

N° DE MODÈLE	H-6513	H-6514
BTU/H	135 000	190 000
CONSOMMATION EN CARBURANT (GAL/H)	1,00	1,42
CAPACITÉ DU RÉSERVOIR (GAL)	10,0	13,0
PRESSION DE POMPE (PSI)	5,5	8,5
TENSION (AC/Hz)	120 VCA/60 Hz	120 VCA/60 Hz
INTENSITÉ	2,3 A	2,7 A
PHASE	Mono	Mono

# CARACTÉRISTIQUES

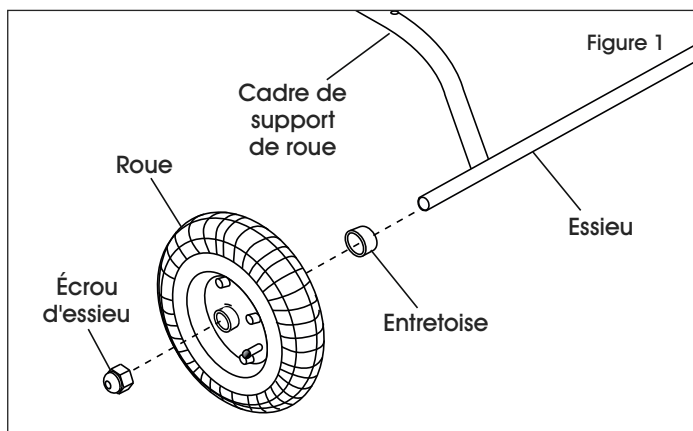


# PIÈCES



# MONTAGE

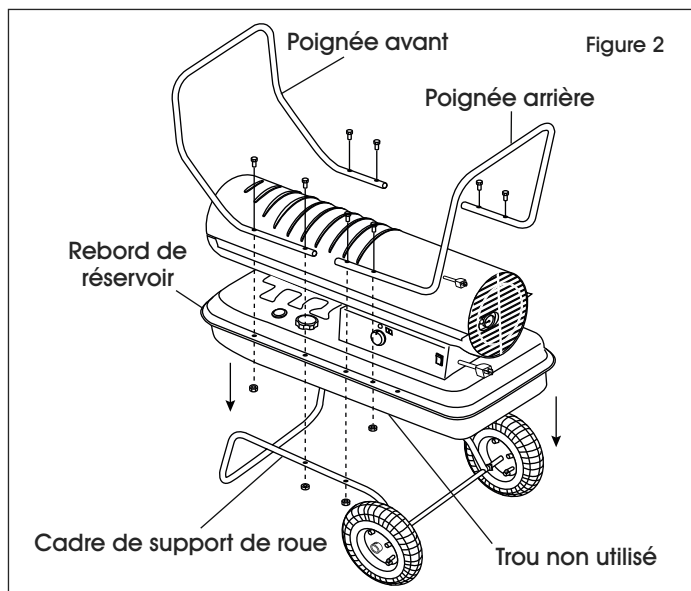
1. Insérez l'essieu dans les trous du cadre de support de roue.
2. Glissez l'entretoise sur l'essieu.
3. Glissez la roue sur l'essieu et maintenez-la en place à l'aide des écrous d'essieu. (Voir Figure 1)



**REMARQUE :** Ne serrez pas les écrous complètement. Vous devrez ôter les roues ultérieurement.

4. Placez l'appareil de chauffage sur le cadre de support de roue et alignez les trous sur le rebord du réservoir.
5. Installez la poignée avant à l'aide de deux vis de 50 mm et deux écrous dans le second trou en partant de l'avant sur les deux côtés du rebord du réservoir et du cadre de support, puis serrez-les fermement.
6. Insérez deux vis de 30 mm dans le premier trou en partant de l'avant dans le rebord du réservoir, et serrez-les fermement. Assurez-vous que les quatre vis sont solidement en place.

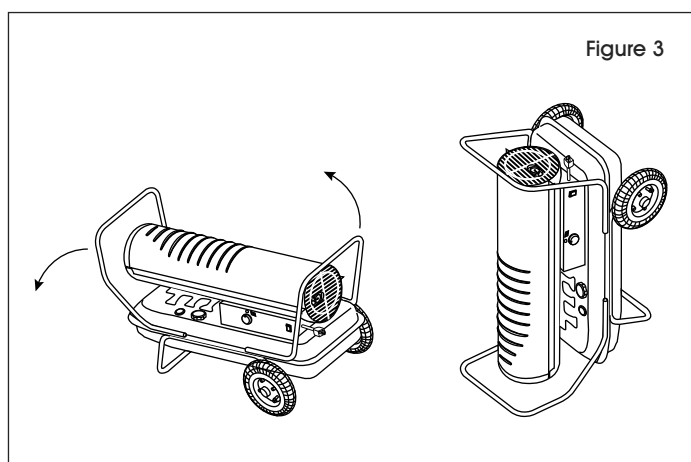
7. Installez la poignée arrière à l'aide de deux vis de 50 mm et de deux écrous dans le troisième trou en partant de l'arrière sur les deux côtés de l'appareil. (Voir Figure 2)



**REMARQUE :** La poignée arrière sera installée à l'étape 10.

8. Vérifiez que le réservoir ne contient pas de carburant. Si le réservoir est vide, inclinez légèrement l'appareil jusqu'à ce qu'il repose sur sa poignée avant. (Voir Figure 3)

**REMARQUE :** Ne pas incliner l'appareil si le réservoir n'est pas vide.



9. Retirez les roues pour installer le deuxième jeu de vis par la poignée arrière.
10. Installez la poignée arrière à l'aide de deux vis de 30 mm et de deux boulons, puis serrez-les fermement.
11. Remettez les roues en place et serrez-les à l'aide des écrous de roue.
12. Remplacez l'appareil sur ses roues et vérifiez que les vis et écrous sont tous solidement en place.



# FONCTIONNEMENT

## ALIMENTATION DE L'APPAREIL

### KÉROSÈNE (CATÉGORIE 1-K)

Pour une utilisation optimale de cet appareil, il est fortement recommandé d'utiliser du kérosène de catégorie 1-K. Le processus de raffinage de ce type de kérosène permet de quasiment éliminer la présence de contaminants comme le soufre, qui peut émettre une odeur d'œufs pourris lors du fonctionnement de l'appareil. L'utilisation de carburant diesel peut produire une quantité excessive de suie. Ne pas utiliser de biodiesel qui risquerait d'endommager les joints d'étanchéité ainsi que les filtres de l'appareil.

- Certifié par la CSA pour utilisation avec kérosène 1-K, de carburant diesel n° 1 et n° 2, de carburant JP-8/Jet A et de fuel-oil n°1 et n°2.

Ne pas utiliser avec un carburant qui n'est pas contenu dans la liste ci-dessus.



**DANGER!** Ne jamais faire le plein de carburant lorsque l'appareil est en marche ou lorsqu'il est encore chaud. Cela risque de provoquer un incendie ou une explosion.



**MISE EN GARDE!** Ne jamais faire le plein de carburant à l'intérieur. Toujours procéder à l'extérieur. Assurez-vous que l'appareil soit situé sur une surface plane.



**AVERTISSEMENT!** Ne pas utiliser d'essence ou de purges de carter.

- Ne jamais utiliser de carburants tels que le benzène, l'alcool, le verre blanc, le gas de réchaud, les diluants à peinture ou tout autre produit dérivé du pétrole dans cet appareil. Ce type de combustible volatil peut provoquer un incendie ou une explosion.
- Ne jamais entreposer de kérosène dans un lieu d'habitation.
- Il est recommandé d'entreposer le kérosène dans une zone bien ventilée à l'extérieur d'une zone d'habitation.
- Ne jamais entreposer de kérosène à la lumière directe du soleil ou près d'une source de chaleur.
- Ne jamais utiliser de kérosène qui a été entreposé pour plus d'une saison. Le kérosène se détériore avec le temps. Du kérosène vieilli ne brûlera pas correctement dans cet appareil.



**REMARQUE :** Il est recommandé d'entreposer uniquement le kérosène dans un conteneur de couleur bleu sur lequel le mot « kérosène » est clairement marqué. Ne jamais entreposer de kérosène dans un conteneur de couleur rouge, qui est la couleur associée à l'essence.

## VENTILATION

- Risque de pollution intérieure et d'intoxication au monoxyde de carbone. Utilisez uniquement cet appareil dans des zones bien ventilées.
- Référez-vous aux avertissements de sécurité des pages 19 et 20 pour plus d'information au sujet de l'intoxication au monoxyde de carbone.



**DANGER!** L'intoxication au monoxyde de carbone peut entraîner la mort.

- Laissez toujours un espace d'air frais de trois pieds carrés minimum pour chaque 10 000 BTU/h. Assurez-vous de disposer d'un espace plus étendu si plusieurs appareils sont utilisés.

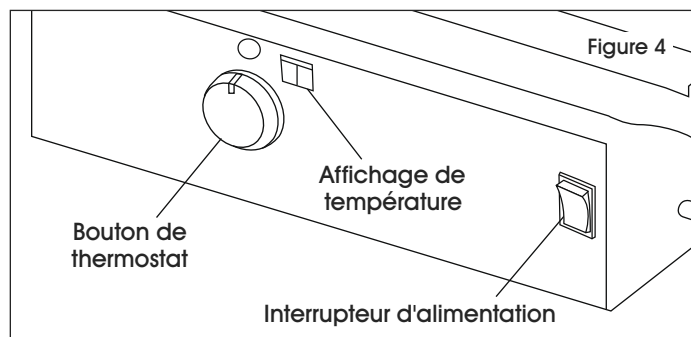
ESPACE MINIMUM REQUIS POUR VENTILATION	
H-6513	H-6514
0,38 m <sup>2</sup> (4,1 pi <sup>2</sup> )	0,53 m <sup>2</sup> (5,7 pi <sup>2</sup> )

## ALLUMER L'APPAREIL

1. Remplissez le réservoir de kérosène ou de tout autre carburant autorisé jusqu'à ce que l'aiguille de la jauge indique « F ».
2. Remplacez le bouchon et serrez-le bien.
3. Branchez l'appareil à une source d'alimentation munie d'une prise à trois broches. Vous devez également utiliser une rallonge à trois broches correctement mise à la terre, d'un minimum de 1,80 m (6 pieds) et de 14 AWG.
4. Tournez le bouton de contrôle du thermostat à la température désirée. Les températures s'échelonnent de 4 °C à 43 °C (40° F à 110 °F).
5. Mettez l'interrupteur en position marche. Le témoin lumineux et l'écran d'affichage de température s'allument et l'appareil se met en marche. (Voir Figure 4)



**REMARQUE :** Si l'appareil ne se met pas en marche, il est possible que le thermostat est réglé trop bas. Tournez le bouton à un réglage plus élevé jusqu'à l'allumage. Si l'appareil ne s'allume toujours pas, éteignez et vérifiez les étapes 1 à 3, puis allumez à nouveau.



**REMARQUE :** Si l'appareil ne s'allume toujours pas, consultez la section Dépannage à la page 27.

La température ambiante s'affiche de la manière suivante :

- Lorsque la température est en-dessous de -17 °C (0 °F), l'affichage indique « LO » (bas).
- Lorsque la température est au-dessus de 37 °C (99 °F), l'affichage indique « HI » (élevé).
- Entre -17 °C et 37 °C (0 °F et 99 °F), l'affichage indique la température réelle.

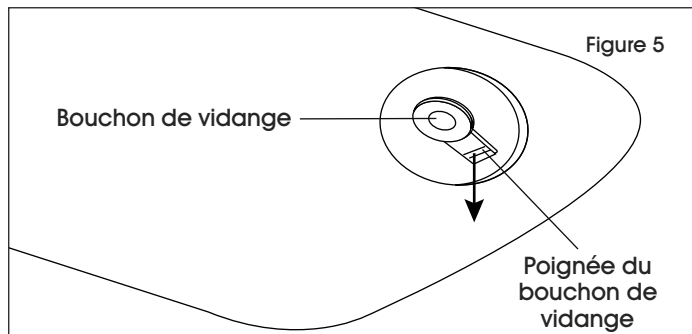
## ARRÊTER ET REDÉMARRER L'APPAREIL

Pour arrêter l'appareil, mettez l'interrupteur en position arrêt et débranchez le cordon d'alimentation.

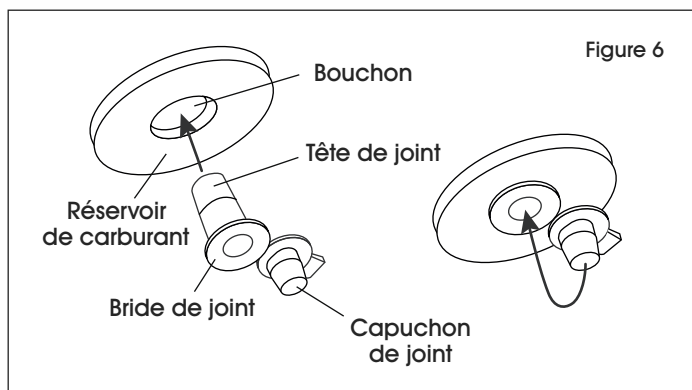
Pour le redémarrer, attendez 10 secondes et suivez les étapes d'allumage.

## ENTREPOSAGE DE LONGUE DURÉE

1. Utilisez le bouchon de vidange situé au fond du réservoir pour vidanger l'appareil.
2. Pour enlever le bouchon, tirez sur la languette vers le bas et retirez le joint de l'orifice de vidange. (Voir Figures 5 et 6)



3. Rincez le réservoir avec une petite quantité de kérosène, puis videz-le complètement.
4. Pour remettre en place le bouchon, poussez complètement le joint dans l'orifice de vidange et insérez-y fermement le capuchon. (Voir Figure 6)



**IMPORTANT!** Ne jamais garder de restant de kérosène d'une saison à l'autre dans la mesure où cela risque d'endommager l'appareil.

## ENTRETIEN



**AVERTISSEMENT!** Ne jamais effectuer d'entretien lorsque l'appareil est encore branché ou chaud.

Ne procédez à aucune altération de l'appareil. Toute modification ou réparation doit être effectuée par un technicien qualifié.

Utilisez uniquement les pièces originales fournies par le fabricant. L'utilisation de composants d'un tiers peut conduire à un fonctionnement non sécuritaire et à l'annulation de la garantie.



**REMARQUE :** Pour commander des pièces de rechange, contactez le service à la clientèle de Uline au 1 800 295-5510.

Suivez le programme d'entretien suivant :

## CARBURANT ET RÉSERVOIR

Rincez le réservoir après chaque 200 heures d'utilisation.



**REMARQUE :** Veuillez vous référer aux instructions d'entreposage de longue durée pour vider le réservoir.

Ne pas utiliser d'eau pour rincer; uniquement du kérosène 1-K non utilisé.

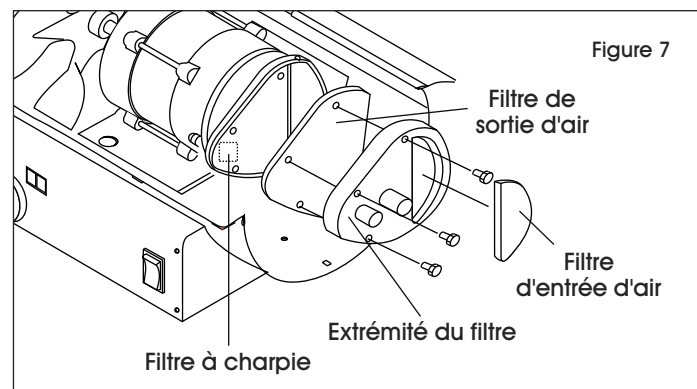
## FILTRES À AIR

Le filtre d'entrée d'air doit être remplacé, ou nettoyé à l'eau et au savon et soigneusement séché, après environ chaque 500 heures d'utilisation, ou moins souvent en fonction des conditions. (Voir Figure 7)

Les filtres de sortie d'air et à charpie doivent être remplacés après chaque 500 heures d'utilisation, ou moins souvent en fonction des conditions. (Voir Figure 7)

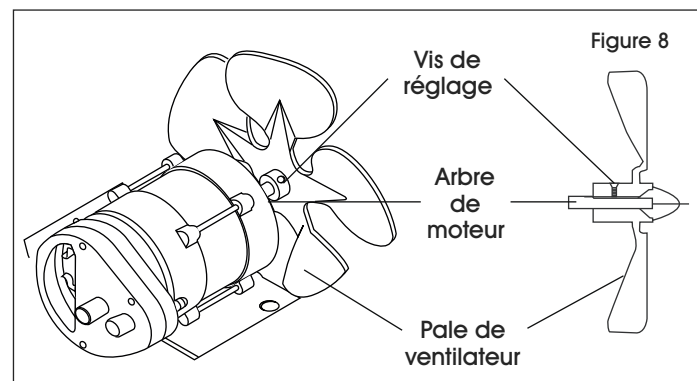


**REMARQUE :** L'utilisation de carburant diesel peut occasionner un entretien plus fréquent.



## PALES DE VENTILATEUR

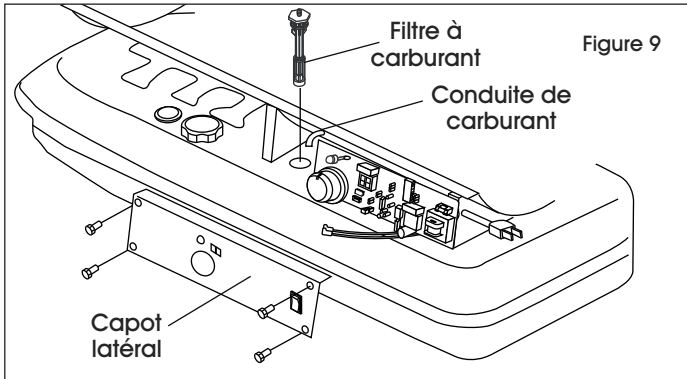
Il est recommandé de nettoyer les pales au minimum une fois par saison, en fonction des conditions. Enlevez toute poussière et saleté accumulés à l'aide d'un chiffon humide, en prenant garde de ne pas plier les pales. Assurez-vous que les pales sont bien sèches avant de rallumer l'appareil de chauffage. (Voir Figure 8)



## FILTRE À CARBURANT

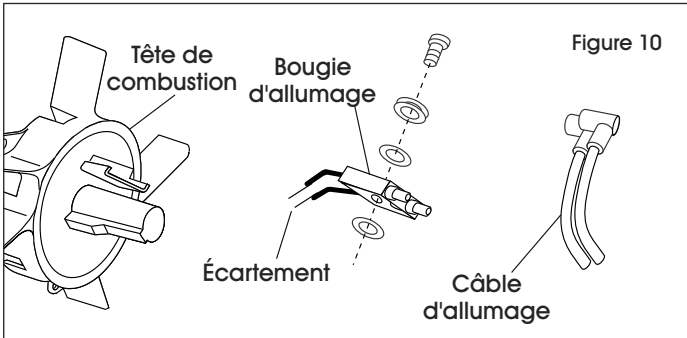
Il est recommandé de nettoyer le filtre à carburant deux fois par saison minimum. Nettoyez le filtre en le rinçant dans du kérosène 1-K propre. Utiliser du carburant usagé peut nécessiter un nettoyage du filtre immédiat.

**REMARQUE :** Pour retirer le filtre, tournez-le à 90° dans le sens antihoraire. (Voir Figure 9)



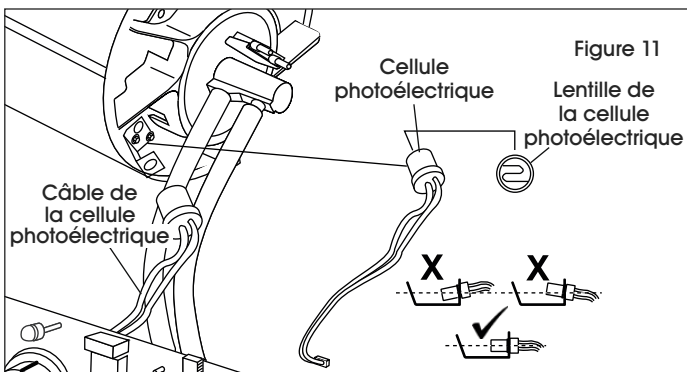
## BOUGIE D'ALLUMAGE

Nettoyez et réajustez l'écartement après chaque 600 heures d'utilisation, et remplacez au besoin. Après avoir enlevé la bougie, nettoyez les bornes avec une brosse métallique. Réglez l'écartement à 3,556 mm (0,14 po). (Voir Figure 10)



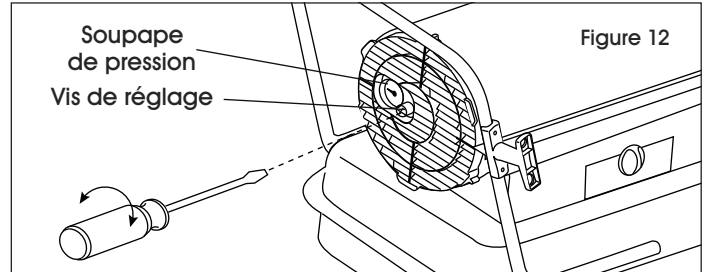
## CELLULE PHOTOÉLECTRIQUE

Il est nécessaire de nettoyer la cellule photoélectrique avec un coton-tige imbibé d'eau ou d'alcool une fois par saison minimum, ou plus souvent en fonction des conditions. (Voir Figure 11)



## PRESSIION DE POMPAGE

1. Avec l'appareil en fonctionnement, tournez la vis de réglage dans le sens horaire pour augmenter la pression, et dans le sens antihoraire pour la diminuer. (Voir Figure 12)



2. Les pressions de pompage recommandées sont les suivantes :

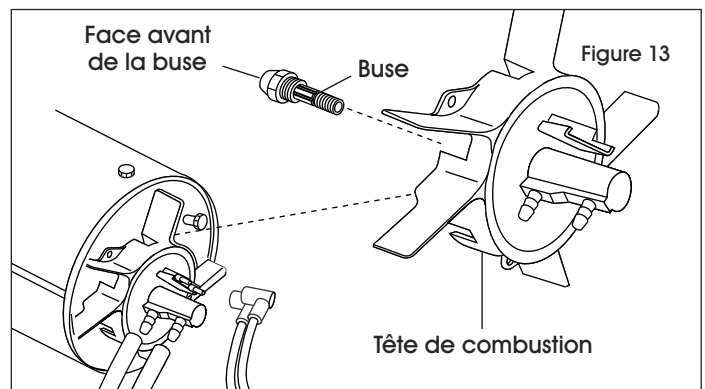
NUMÉRO DE MODÈLE	PRESSIION DE POMPAGE
H-6513	5,5 psi
H-6514	8,5 psi

## BUSES

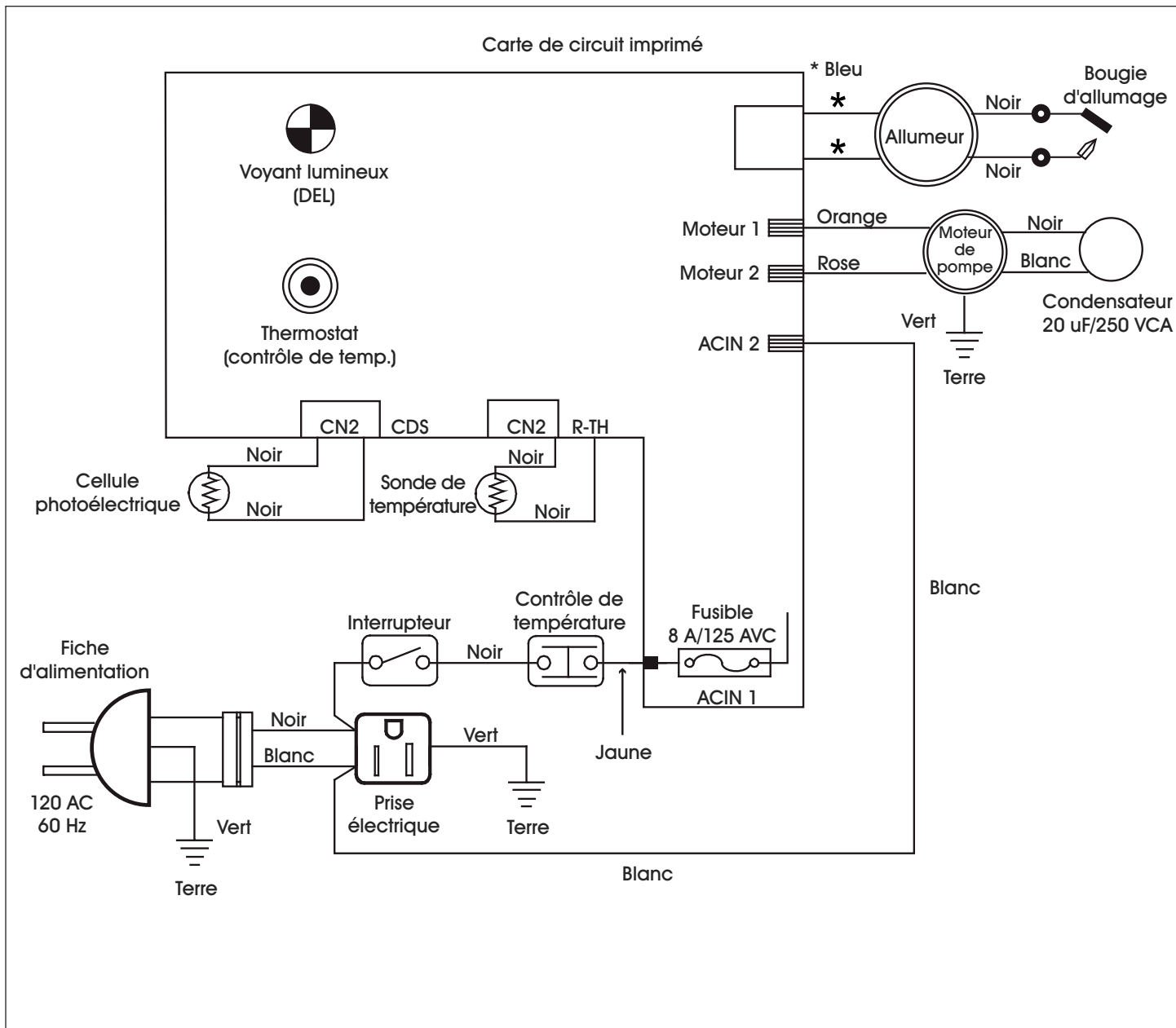
Il est recommandé de nettoyer ou remplacer les buses au moins une fois par saison. Utiliser du carburant usagé peut nécessiter un nettoyage immédiat.

1. Pour nettoyer les buses, soufflez de l'air comprimé par la buse avant. (Voir Figure 13)

**REMARQUE :** Il sera peut-être nécessaire de tremper la buse dans du kérosène 1-K pour déloger les particules de saleté.



# SCHEMA DE CÂBLAGE



# DÉPANNAGE

## LOCALISER VOTRE NUMÉRO DE SÉRIE

Vous pourrez trouver le numéro de série de votre appareil sur une étiquette blanche sur le capot latéral droit. Le numéro commence par deux chiffres, suivis de la lettre H et de six chiffres. Par exemple: 13H123456. Munissez-vous du numéro de série avant de contacter le service à la clientèle de Uline au 1 800 295-5510.

PROBLÈME	CAUSES	RECOMMANDATIONS
L'appareil s'allume, mais le circuit imprimé principal s'éteint après quelques instants. Le témoin lumineux clignote et l'écran affiche « E1 ».	<p>Incorrecte pression de pompe.</p> <p>Le filtre d'entrée d'air, de sortie d'air ou à charpie est sale.</p> <p>Le filtre à carburant est sale.</p> <p>La buse est sale.</p> <p>La lentille de la cellule photoélectrique est sale.</p> <p>La cellule photoélectrique est mal installée.</p> <p>La cellule photoélectrique est défectueuse.</p> <p>Mauvaise connexion électrique entre le circuit imprimé et la cellule photoélectrique.</p>	<p>Ajuster la pression de pompe.</p> <p>Nettoyer ou remplacer le filtre à air ou à charpie.</p> <p>Clean or replace fuel filter.</p> <p>Nettoyer ou remplacer la buse.</p> <p>Nettoyer ou remplacer la cellule photoélectrique.</p> <p>Ajuster la position de la cellule photoélectrique.</p> <p>Remplacer la cellule photoélectrique.</p> <p>Vérifier le câblage. (Voir le schéma de câblage à la page 26)</p>
L'appareil ne fonctionne pas ou le moteur ne fonctionne que pendant quelques instants. Le témoin lumineux clignote et l'écran affiche « E1 ».	<p>Pas de kérosène dans le réservoir.</p> <p>Mauvaise pression de pompage.</p> <p>Bougie corrodée ou mauvais écartement.</p> <p>Le filtre à carburant est sale.</p> <p>La buse est sale.</p> <p>Humidité dans le réservoir.</p> <p>Mauvaise connexion électrique entre le transformateur et le circuit imprimé.</p> <p>Câble d'igniteur non connecté à la bougie.</p> <p>Igniteur défectueux.</p>	<p>Remplir le réservoir de kérosène.</p> <p>Ajuster la pression de pompage.</p> <p>Nettoyer ou remplacer la bougie. Ajuster l'écartement si nécessaire.</p> <p>Nettoyer ou remplacer le filtre à carburant.</p> <p>Nettoyer ou remplacer la buse.</p> <p>Rincer le réservoir avec du kérosène propre.</p> <p>Vérifier toutes les connexions électriques. (Voir le schéma de câblage à la page 26)</p> <p>Réattacher la câble d'igniteur à la bougie.</p> <p>Remplacer l'igniteur.</p>
Le ventilateur ne fonctionne pas lorsque l'appareil est branché et que l'interrupteur est en position marche. Le voyant lumineux clignote et/ou l'écran affiche « E1 » ou « E2 ».	<p>Le thermostat est réglé trop bas.</p> <p>Pas de connexion électrique entre le circuit imprimé et le moteur.</p>	<p>Tournez le bouton de thermostat à une plus haute température.</p> <p>Vérifiez toutes les connexions électriques. (Voir le schéma de câblage à la page 26)</p>
Le voyant lumineux clignote et l'écran affiche « E3 ».	L'interrupteur de thermostat est défectueux.	Remplacer l'interrupteur du thermostat. (Voir le schéma de câblage à la page 26)
Mauvaise combustion et/ou production excessive de suie.	<p>Le filtre d'entrée d'air, de sortie d'air ou à charpie est sale.</p> <p>Le filtre à carburant est sale.</p> <p>Mauvaise qualité de carburant.</p> <p>PSI trop haute ou trop basse.</p>	<p>Nettoyer ou remplacer le filtre à air ou à charpie.</p> <p>Nettoyer ou remplacer le filtre à carburant.</p> <p>Vider le réservoir et le remplir à nouveau.</p> <p>Utiliser la pression appropriée.</p>
L'appareil ne se met pas en marche et le voyant lumineux n'est pas allumé.	<p>Le capteur de limite de température a surchauffé.</p> <p>Pas d'alimentation électrique.</p> <p>Le fusible a sauté.</p> <p>Mauvaise connexion électrique entre le capteur de limite de température et le circuit imprimé.</p>	<p>Changer l'interrupteur en position arrêt et laisser l'appareil refroidir pendant 10 minutes avant de le remettre en marche.</p> <p>Vérifier que les cordons d'alimentation sont bien connectés et tester l'alimentation.</p> <p>Vérifier et remplacer le fusible.</p> <p>Vérifier toutes les connexions électriques. (Voir le schéma de câblage à la page 26)</p>

**ULINE**

1 800 295-5510

uline.ca