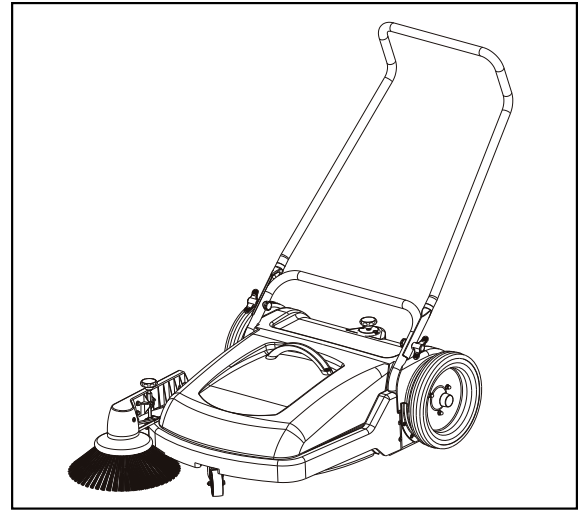
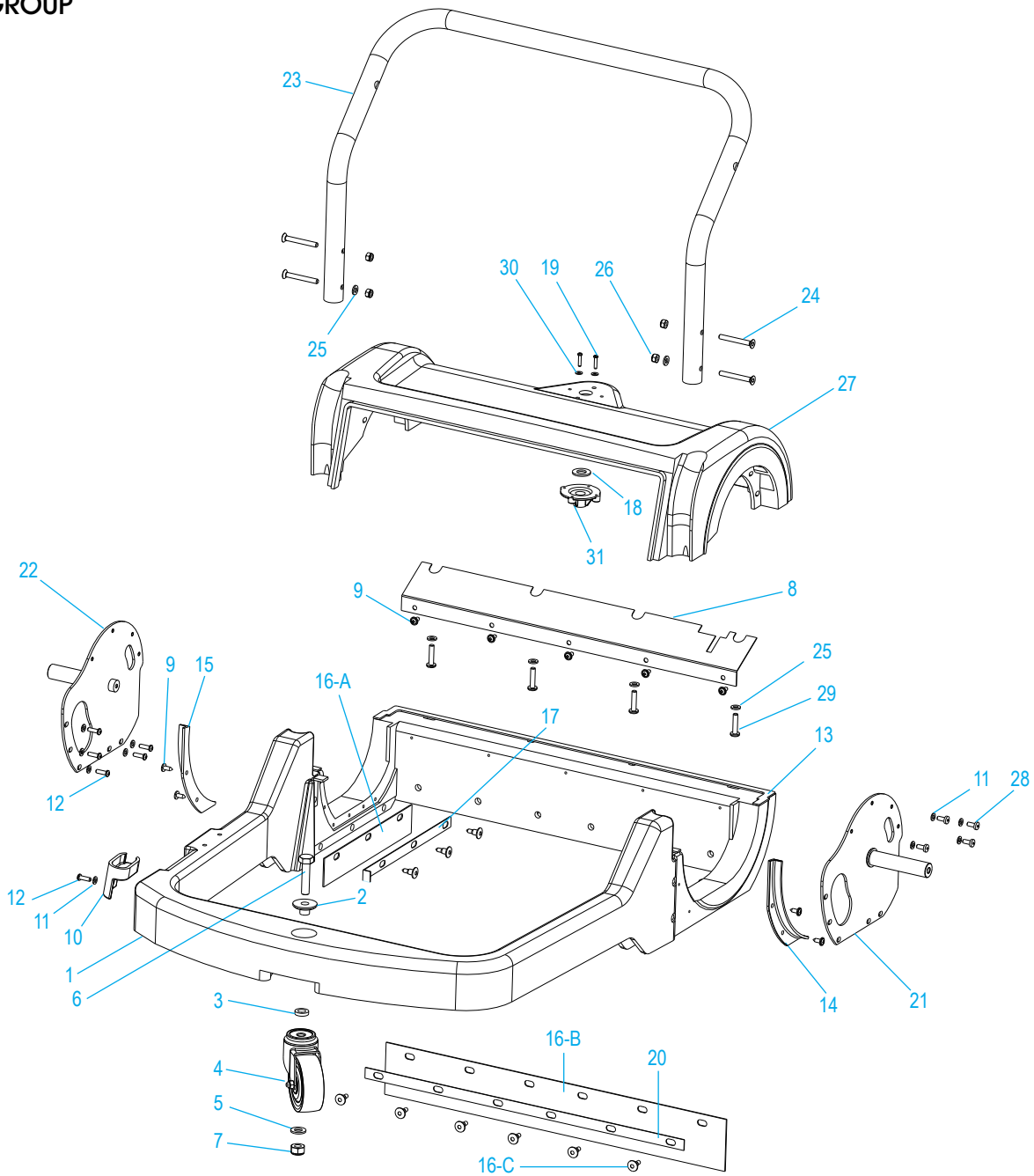


ULINE H-2760 INDUSTRIAL PUSH SWEEPER

1-800-295-5510
uline.com



FRAME GROUP



ULINE H-2760
**INDUSTRIAL PUSH
 SWEEPER**

1-800-295-5510
 uline.com

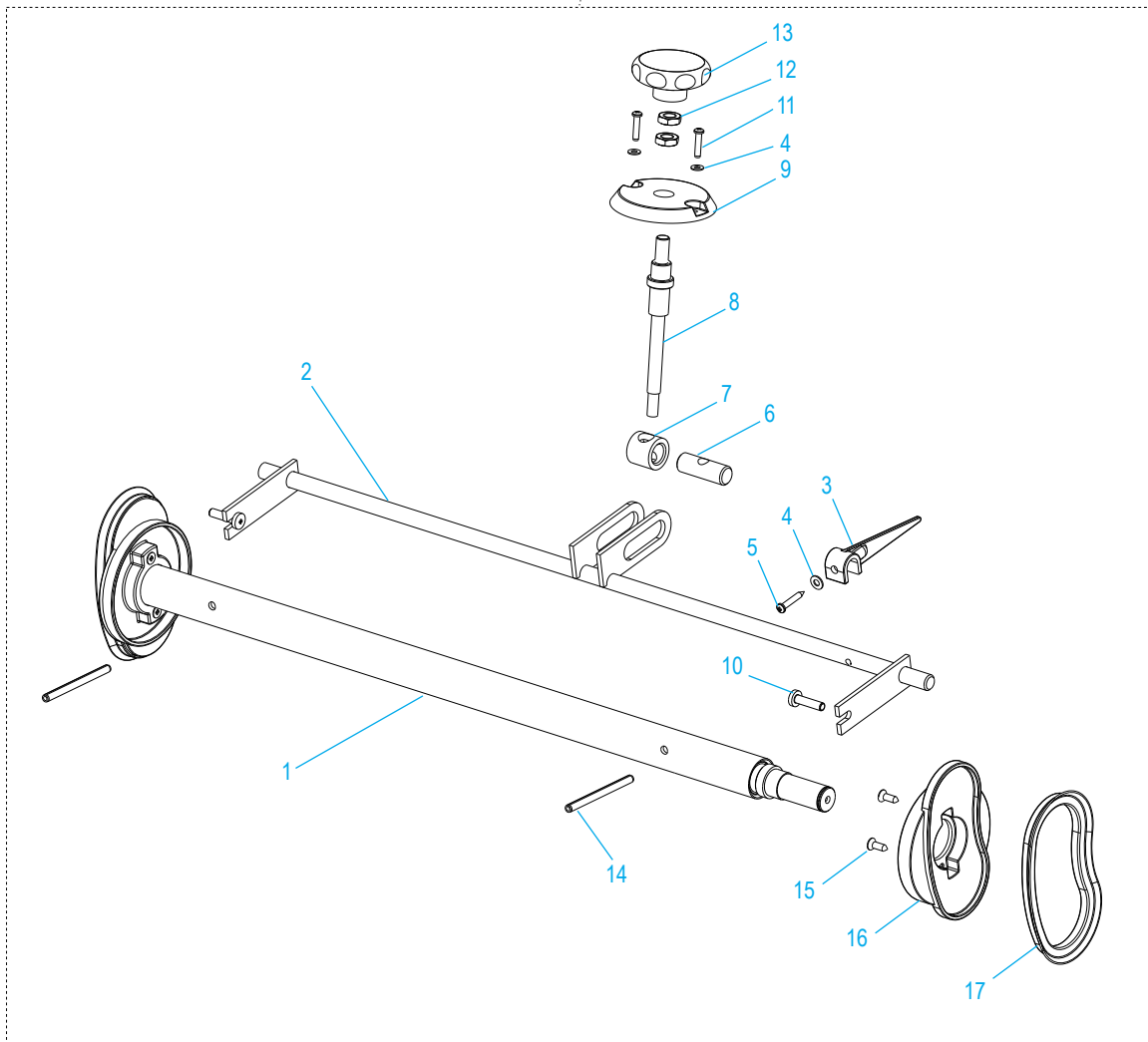
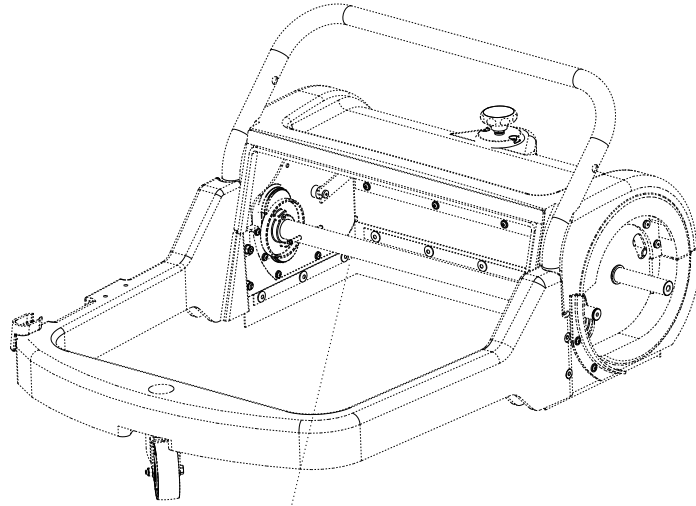
FRAME GROUP PARTS LIST

#	DESCRIPTION	QTY.	ULINE PART NO.	MFG. PART NO.
1	Frame	1	-----	552130007
2	Stepped Washer	1	-----	552130027
3	Washer - Steel 10.5 x 18.0 x 4.0	1	-----	921007
4	Castor Wheel Assembly (Local)	1	H-2760-CSTR	922824
5	Washer - Steel 10.5 x 20.0 x 2.0	1	-----	844101
6	Hex Head Screw - Steel 8.8 M10 x 45	1	-----	802510
7	Hex Nylock Nut M10	1	-----	859106
8	Splash Shield	1	-----	552130051
9	Self-Tapping Screw w/Collar 4.8 x 13	9	-----	921131
10	Holder Side Brush Arm	1	-----	552130028
11	Washer - Steel 5.3 x 10.0 x 1.0	19	-----	844051
12	CRPH Self-Tapping Screw 4.8 x 13	11	-----	837210
13	Gasket Frame	1	-----	923255
14	Curve Plate LH	1	-----	552130090
15	Curve Plate RH	1	-----	552130091
16	Rubber Strip Kit Flipper (Sold as Kit)	1	-----	552180041
16A	Side Rubber Strip	2	-----	552130015
16B	Rear Rubber Strip	1	-----	552130025
16C	Rocket Clip	12	-----	881097
17	Side Strip Holder	2	-----	552130075
18	Washer - SS 304 12.5 x 24 x 2	1	-----	845204
19	CRPH Self-Tapping Screw 3.5 x 16	2	-----	926057
20	Rear Strip Holder	1	-----	552130074
21	Side Plate Group LH	1	-----	552180034
22	Side Plate Group RH	1	-----	552180035
23	Handle	1	-----	552130055
24	Hex Soc Csk Head Screw - Steel M6 x 45	4	-----	828512
25	Washer - Steel 6.4 x 12.5 x 1.6	8	-----	844061
26	Hex Nylock Nut - Steel Gr.8 - M6	4	-----	859068
27	Cover	1	-----	552130008
28	CR Pan Head Screw - Steel M5 x 12	8	-----	817204
29	CRPH Self-Tapping Screw 6.3 x 30	4	-----	835709
30	Washer - Steel 4.3 x 9.0 x 0.8	2	-----	844041
31	Bottom Cover Thread Rod	1	-----	552130084

ULINE H-2760
**INDUSTRIAL PUSH
SWEEPER**

1-800-295-5510
uline.com

BRUSH SHAFT GROUP



ULINE H-2760
**INDUSTRIAL PUSH
 SWEEPER**

1-800-295-5510
 uline.com

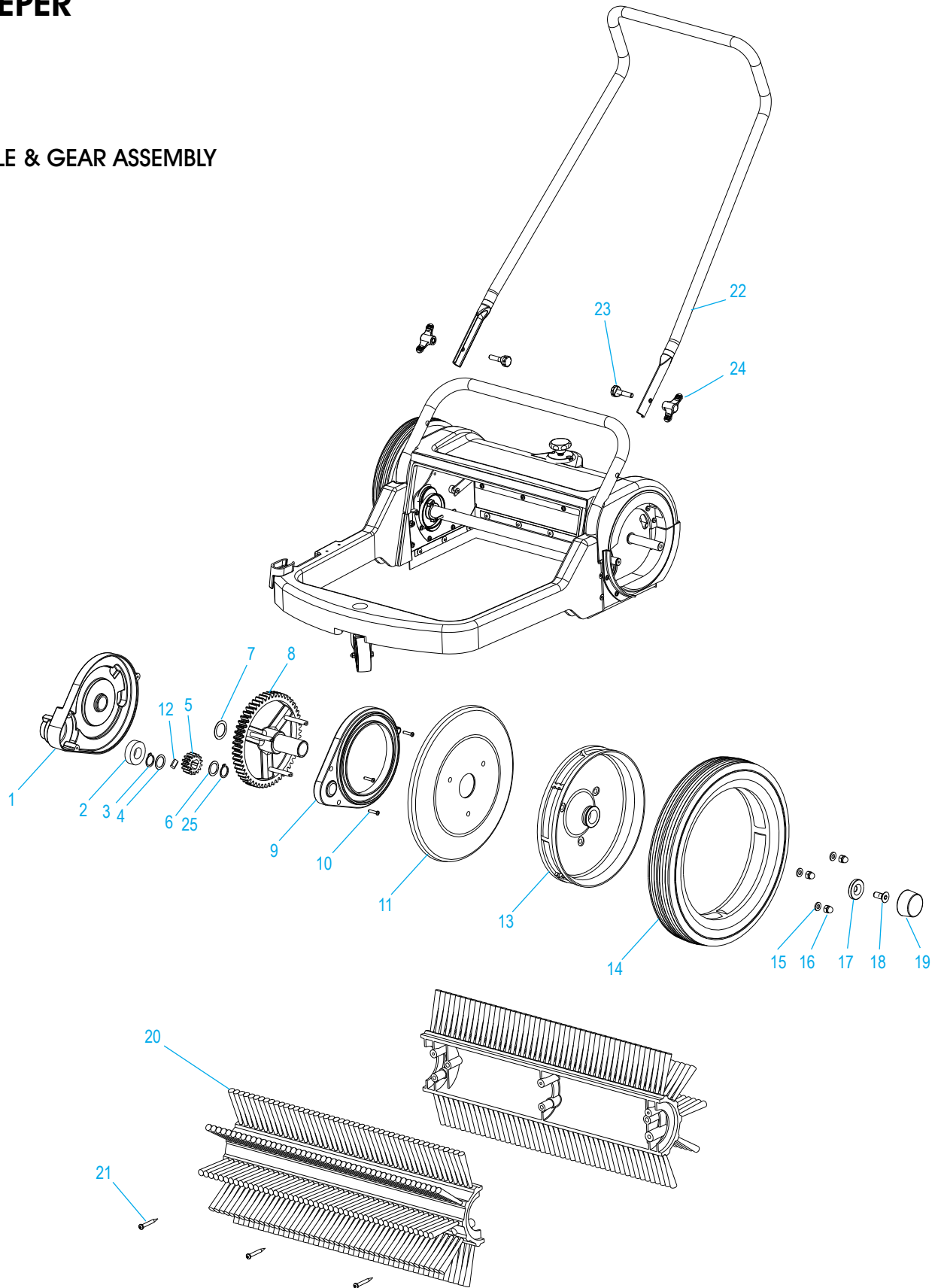
BRUSH SHAFT GROUP PARTS LIST

#	DESCRIPTION	QTY.	ULINE PART NO.	MFG. PART NO.
1	Brush Shaft Group	1	-----	552180031
2	Pressure Adjustment Group	1	-----	552180033
3	Indicator	1	-----	552130089
4	Washer - Steel 4.3 x 9.0 x 0.8	3	-----	844041
5	CRPH Self-Tap Screw 3.5 x 25	1	-----	836210
6	Trunnion Shaft	1	-----	552130039
7	Spacer Thread Rod	1	-----	552130092
8	Thread Rod Group	1	-----	552180036
9	Top Cover Thread Rod	1	-----	552130085
10	CR Pan Head Screw - Steel M5 x 20	2	-----	817207
11	CRPH Self-Tapping Screw 3.5 x 16	2	-----	926057
12	Hex Locknut - Steel M8	2	-----	833084
13	Knob Assembly	1	-----	921776
14	Split Pin 63	2	-----	552130056
15	CRC SK Self-Tapping Screw - Steel 3.5 x 12.7	4	-----	841110
16	Boot	2	-----	552130079
17	Seal	2	-----	552130080

ULINE H-2760 INDUSTRIAL PUSH SWEEPER

1-800-295-5510
uline.com

HANDLE & GEAR ASSEMBLY



ULINE H-2760
INDUSTRIAL PUSH
SWEEPER

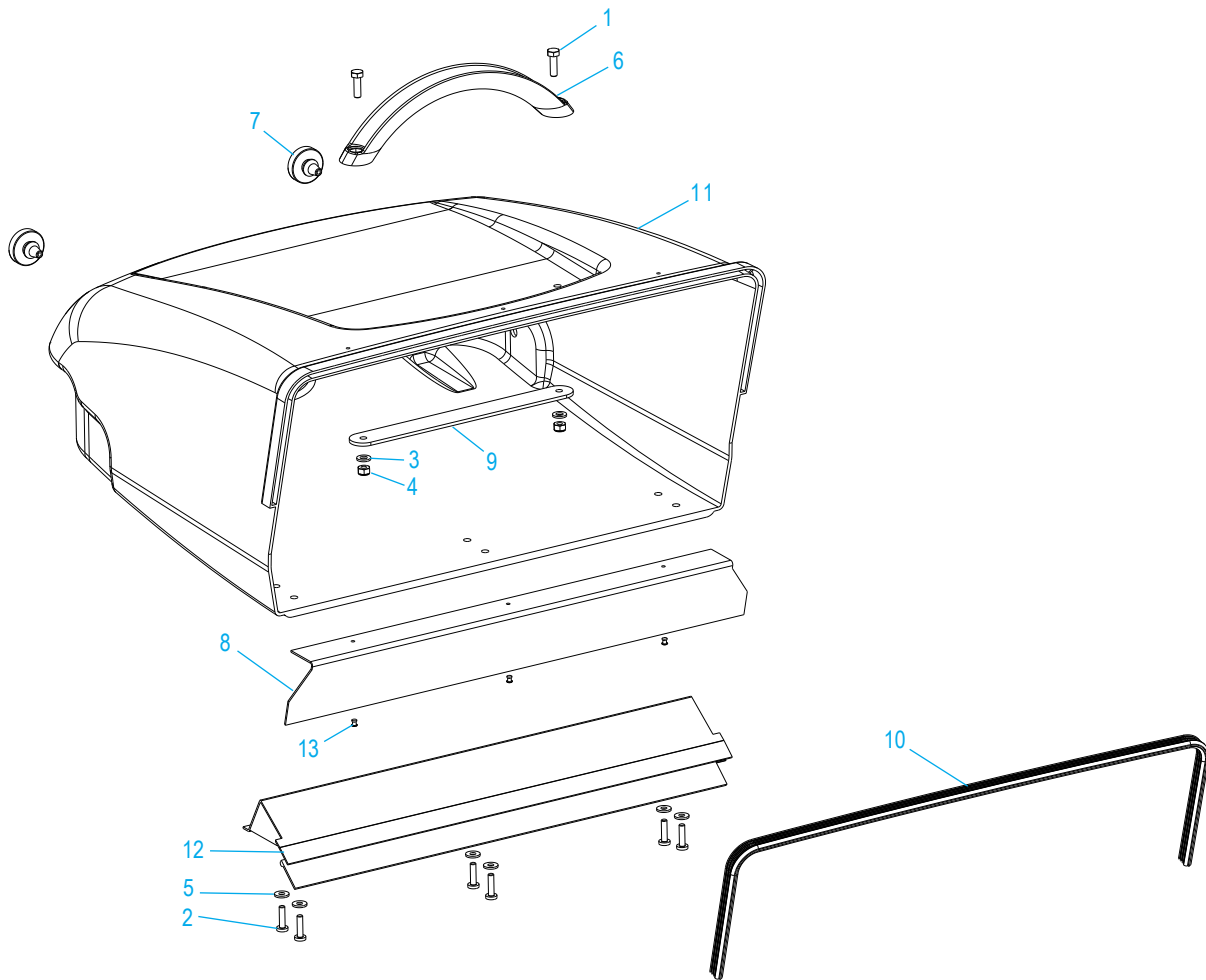
1-800-295-5510
 uline.com

HANDLE & GEAR ASSEMBLY PARTS LIST

#	DESCRIPTION	QTY.	ULINE PART NO.	MFG. PART NO.
1	Gear Cover Bottom	2	-----	552130082
2	DG Ball Bearing 6003 2 RS	2	-----	875010
3	Circlip External A17	2	-----	923422
4	Washer Steel 16 x 22 x 1.5	2	-----	921065
5	Pinion	2	H-2760-PIN	552130044
6	Washer Steel 16 x 22 x 0.5	2	-----	921066
7	Washer Steel 20 x 28 x 0.5	2	-----	552130078
8	Gear Assembly	2	-----	552180040
9	Gear Cover	2	-----	552130083
10	CRPH Self Tapping Screw 3.5 x 16	6	-----	926057
11	Protection Disk	2	-----	552130081
12	Key	2	-----	921006
13	Wheel Rim MM	2	H-2760WHLRM	552130009
14	Tyre Main Wheel	2	H-2760-MNWHL	921077
15	Washer - Steel 6.4 x 12.5 x 1.6	6	-----	844061
16	Domed Cap Nut - SS 304-M6	6	-----	838060
17	Washer Wheel	2	-----	553530019
18	Hex Soc Csk Hd Screw - SS304 M8 x 20	2	-----	829407
19	Wheel Cap	2	-----	552130067
20	Brush Flipper	1 Set	H-2766	552180026
21	CRPH Self Tapping Screw - Steel 4.8 x 40	6	-----	835708
22	Upper Handle	1	-----	552130057
23	Knob Assembly Male	2	-----	552130062
24	Knob - Handle	2	-----	927872
25	Circlip External A16	2	-----	923429

ULINE H-2760
INDUSTRIAL PUSH
SWEEPER

1-800-295-5510
 uline.com



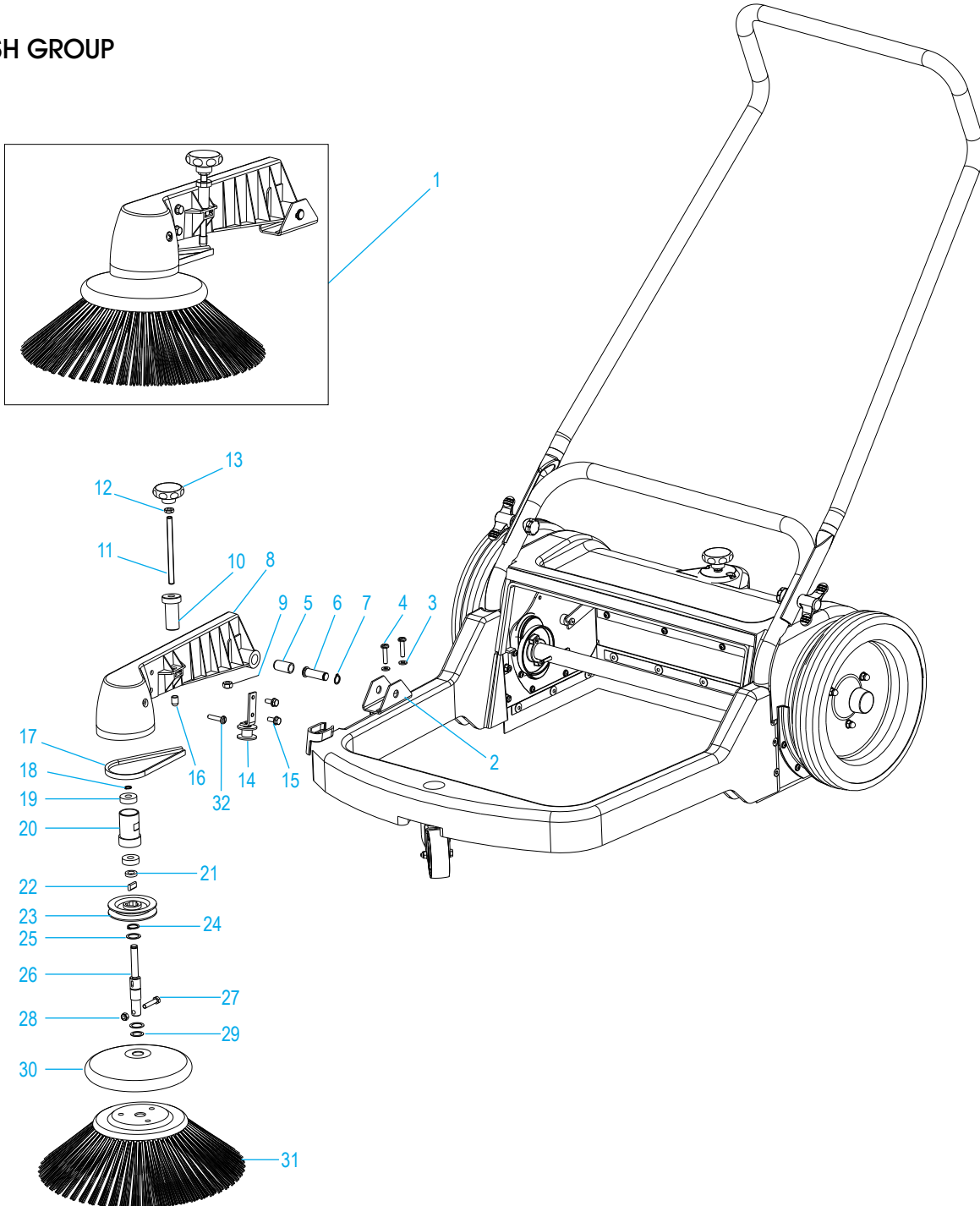
HOPPER GROUP PARTS LIST

#	DESCRIPTION	QTY.	ULINE PART NO.	MFG. PART NO.
1	Hex Head Screw M6 x 20	2	-----	802307
2	CR Pan Head Screw M5 x 20	6	-----	817207
3	Washer Steel 6.4 x 12.5 x 1.6	2	-----	844061
4	Hex Nylock Nut M6	2	-----	859068
5	Washer Steel 5.3 x 13 x 1	6	-----	999161
6	Handle Flipper	1	-----	552130060
7	Boot Front	2	-----	552130111
8	Stiffener Hopper	1	-----	552130098
9	Stiffener Handle	1	-----	552130099
10	Gasket Hopper	1	-----	552130100
11	Hopper Collection	1	-----	553210222-00
12	Hopper Flap Assembly - IH	1	-----	552180049
13	Multigrip Blind Rivet 3.2 x 13	3	-----	855004

ULINE H-2760 INDUSTRIAL PUSH SWEEPER

1-800-295-5510
uline.com

SIDE BRUSH GROUP



ULINE H-2760
**INDUSTRIAL PUSH
 SWEEPER**

1-800-295-5510
 uline.com

SIDE BRUSH GROUP PARTS LIST

#	DESCRIPTION	QTY.	ULINE PART NO.	MFG. PART NO.
1	Side Brush Group MM	1	H-2760-SBG	552180025
2	Support Side Brush Arm	1	-----	921017
3	Washer - Steel 6.4 x 12.5 x 1.6	2	-----	844061
4	CRPH Self-Tapping Screw Steel 6.3 x 30	2	-----	835709
5	Taper Bush Side Brush Arm	1	-----	921107
6	Clevis Pin Side Brush Arm	1	-----	921013
7	Circlip External A12	1	-----	923418
8	Molded Side Arm	1	-----	552130014
9	Hex Locknut Steel M8	1	-----	833084
10	Nut Side Brush Knob	1	-----	921018
11	Threaded Rod Side Brush	1	-----	921011
12	Hex Locknut Steel M8	1	-----	833084
13	Knob Assembly	1	-----	921776
14	Idler Bracket Assembly	1	-----	921788
15	Hex Head Screw M6 x 16/13 MM Collar	2	-----	921133
16	Protection Cap Thread Rod	1	-----	921012
17	V-Belt	1	H-2760-92110	921103
18	External Circlip A10	1	-----	923427
19	Bearing 6000 ZZ	2	-----	875001
20	Bearing Housing Side Brush Arm	1	H-2760-BHSBA	921015
21	Washer 10.5 x 18.0 x 4.0	1	-----	921007
22	Key	1	H-2760-KEY	921006
23	V-Belt Pulley	1	-----	921014
24	External Circlip A16	1	-----	923429
25	Washer 16.2 x 22 x 0.5	2	-----	921066
26	Axle Side Brush	1	-----	921141
27	Hex Head Screw - Steel 8.8 M6 x 30	1	-----	802309
28	Hex Nylock Nut - Steel Gr.6 M6 - Low	3	-----	859066
29	Washer 14.2 x 20 x 0.5	1	-----	923250
30	Deflector Roller	1	-----	923169
31	Side Brush	1	H-2765	923783
32	CRPH Sts 6.3 x 30 Machined	1	-----	552130102