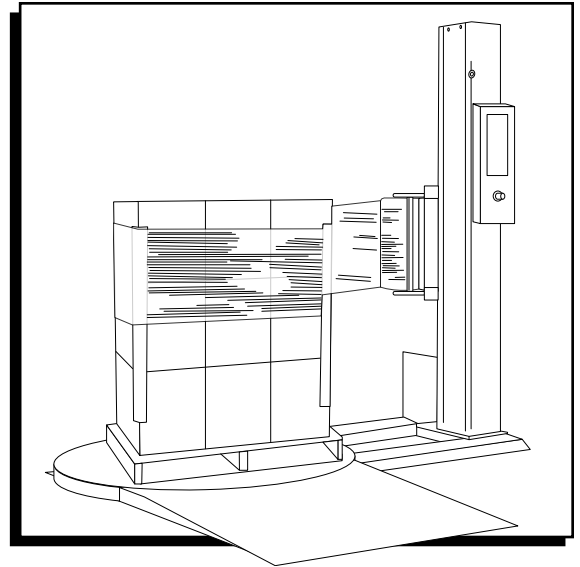
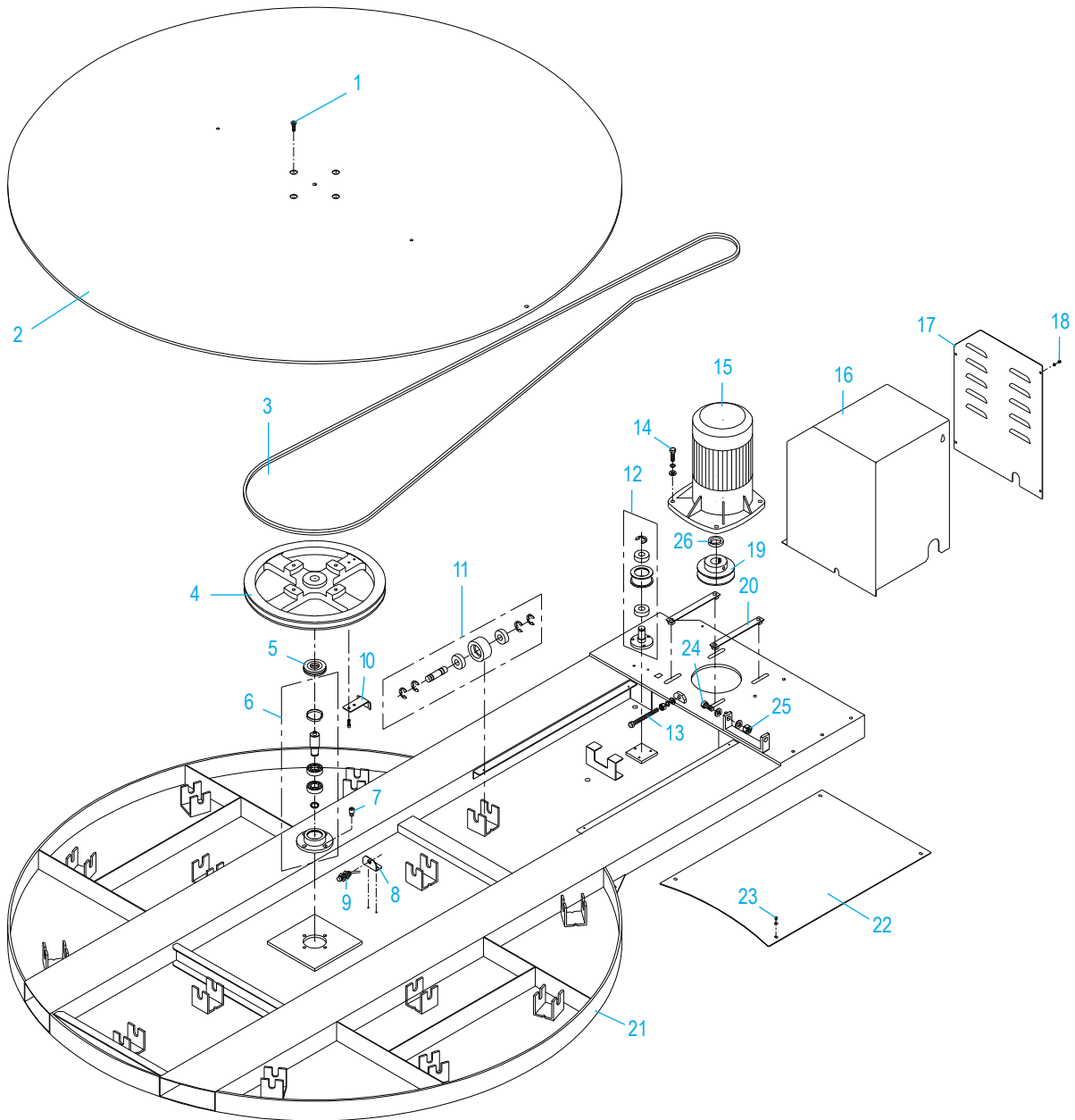


ULINE H-2957 AUTOMATIC STRETCH WRAP DISPENSER

1-800-295-5510
uline.com



TURNTABLE FRAME ASSEMBLY



ULINE H-2957
AUTOMATIC STRETCH
WRAP DISPENSER

1-800-295-5510
 uline.com

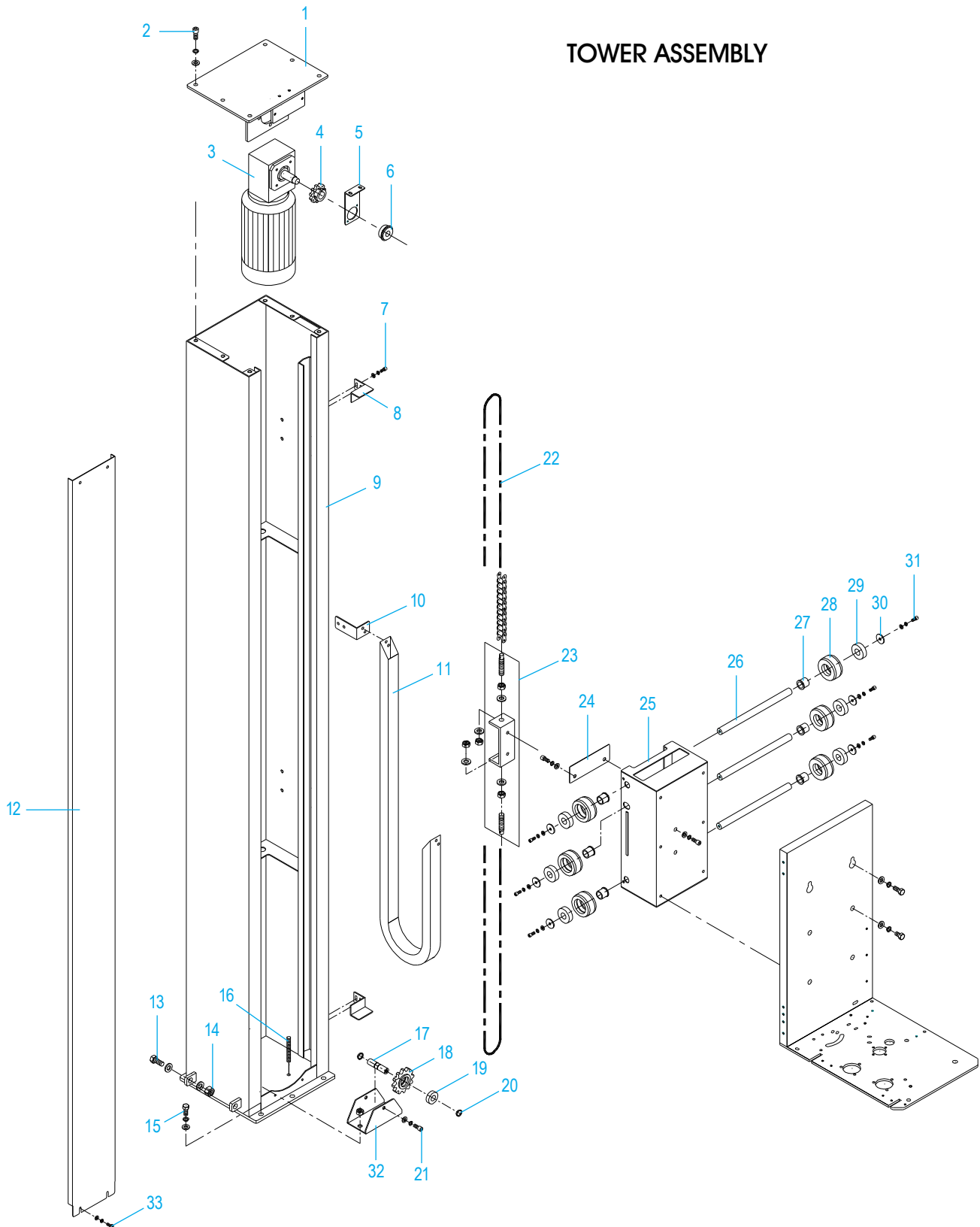
TURNTABLE FRAME PARTS LIST

#	DESCRIPTION	QTY.	ULINE PART NO.	MFG. PART NO.
1	FHCS, M10 X 20L	4	-----	200627
2	Turntable Top, 65" Dia. (1.65M)	1	-----	500460
3	Belt, 154"	1	-----	300772
4	Center Pulley, New Style	1	-----	500752
5	Thrust Bearing, Belt Pulley	1	-----	303703
6	King Post Assembly	1	-----	700058
7	SHCS, M6 X 16L	4	-----	200078
8	Sensor Seat	1	-----	500461
9	Proximity Sensor, (PM12-04N)	1	-----	403556
10	Bracket, Prox Detection	1	-----	500462.2
11	Cam Follower Assembly	14	-----	700060
12	Belt Return Roller Assembly	1	-----	700601
13	Hex Head Tap Bolt, M10 X 60L	1	-----	200628
14	HHCS, M10 X 35L	4	-----	200629
15	Gearmotor, Turntable Drive	1	-----	300773
16	Motor Cover (Box) Weldment	1	-----	600088
17	Motor Box Cover Plate	1	-----	500463
18	Pan Head Machine Screw, M4 X 10L	4	-----	200851
19	Pulley, Turntable Motor Drive	1	-----	500464
20	Fixed Nut Weldment	2	-----	600089
21	Turntable Frame Weldment	1	-----	600090
22	Frame Cover Plate	1	-----	500465
23	Pan Head Machine Screw, M4 X 6L	4	-----	200154
24	HHCS, M12 X 35L	2	-----	200630
25	Nut, M12	2	-----	200140
26	Spacer, For TT Motor Pulley	1	-----	500759

ULINE H-2957 AUTOMATIC STRETCH WRAP DISPENSER

1-800-295-5510
uline.com

TOWER ASSEMBLY



ULINE H-2957
AUTOMATIC STRETCH
WRAP DISPENSER

1-800-295-5510
 uline.com

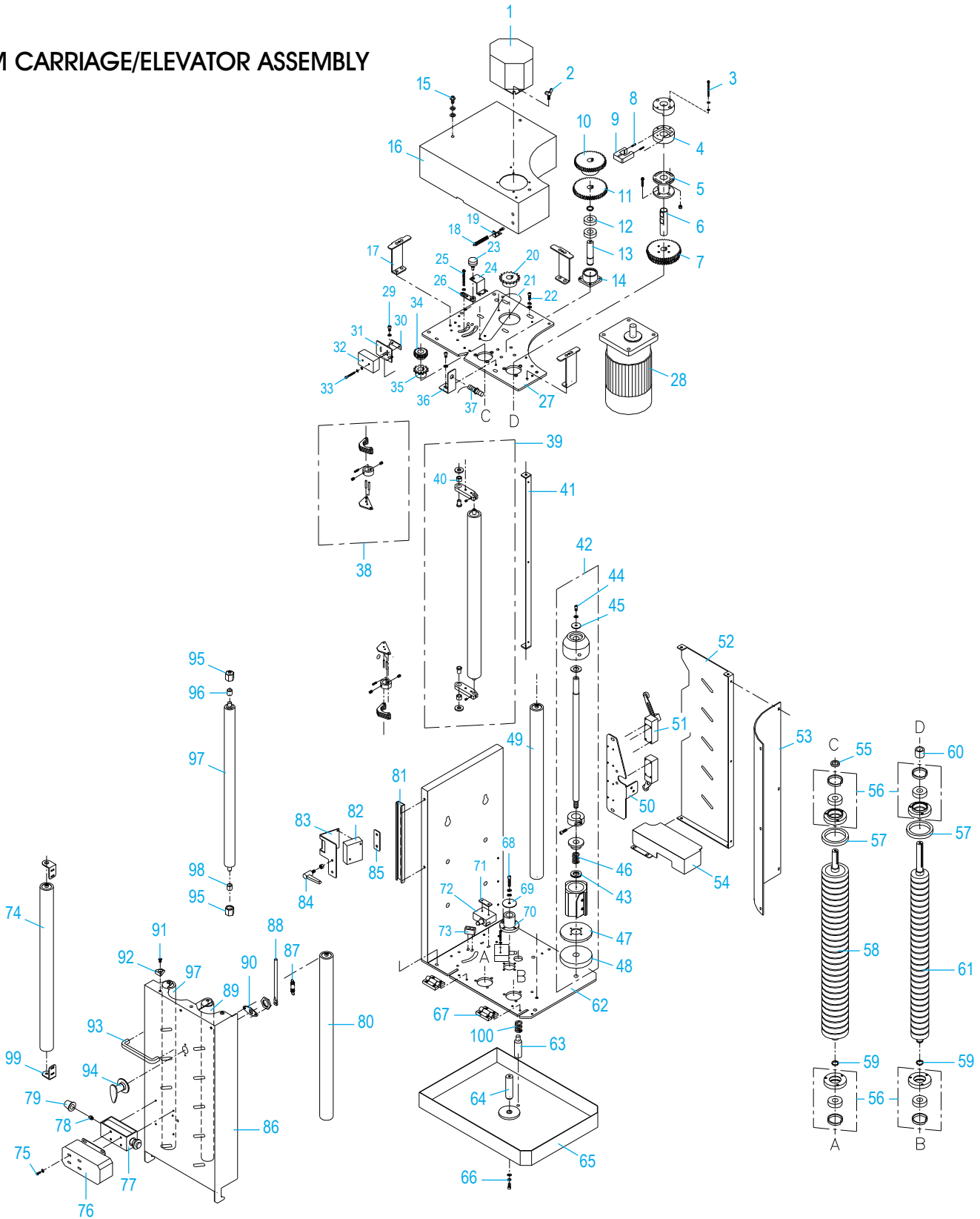
TOWER PARTS LIST

#	DESCRIPTION	QTY.	ULINE PART NO.	MFG. PART NO.
1	Tower Cover Weldment	1	-----	600091
2	SHCS, M10 X 25L	4	-----	200090
3	Gearmotor, Carriage Lift	1	-----	300774
4	Sprocket, Driven	1	-----	300775
5	Bracket, Gearmotor Support	1	-----	300776
6	Bearing, 6202-NR	1	-----	300020
7	SHCS, M5 X 8L	4	-----	200631
8	Bracket, Limit Trip	2	-----	500466
9	Tower Weldment, 80"	1	-----	600092
10	Bracket, E-Chain Mount	1	-----	500467
11	E-Chain	1	-----	300777
12	Cover Plate, 80" Tower	1	-----	500468
13	HHCS, M12 X 35L	2	-----	200630
14	Nut M12	2	-----	200140
15	SHCS, M10 X 25L	6	-----	200090
16	Threaded Rod, M10 X 60L	2	-----	200632
17	Shaft, Idler Sprocket	1	-----	500469
18	Sprocket, Idler	1	-----	300778
19	Bearing 6002ZZ	1	-----	300017
20	Snap Ring, 15MM External	2	-----	300008
21	SHCS, M8 X 20L	1	-----	200084
22	Chain	1	-----	300029
23	Chain Attachment Assembly		-----	700063
24	Bracket, Carriage Lift	1	-----	500470
25	Carriage Trolley Weldment	1	-----	600093
26	Guide Wheel Shaft	3	-----	500471
27	Spacer, Inner	6	-----	500472
28	Guide Wheel	6	-----	500473
29	Bearing, 6203	6	-----	305300
30	Spacer, Outer	6	-----	500474
31	SHCS, M6 X 16L	6	-----	200078
32	Bracket, Lower Idler Sprocket	1	-----	500475
33	SHCS, M6 X 10L	4	-----	200633

ULINE H-2957 AUTOMATIC STRETCH WRAP DISPENSER

1-800-295-5510
uline.com

FILM CARRIAGE/ELEVATOR ASSEMBLY



ULINE H-2957
AUTOMATIC STRETCH
WRAP DISPENSER

1-800-295-5510
 uline.com

FILM CARRIAGE/ELEVATOR PARTS LIST

#	DESCRIPTION	QTY.	ULINE PART NO.	MFG. PART NO.
1	Stretch Knob Cover	1	-----	600095
2	Wing Nut, M5 X 12L	2	-----	200636
3	Machine Screw, M4 X 50L	4	-----	200766
4	Stretch Knob Half	2	-----	500661
5	Gear Pull Adapter	1	-----	500662
6	Gear Positioning Shaft	1	-----	500663
7	Slip Gear, 47T/44T, 200% / 250%	1	-----	301346
8	Spring	2	-----	301365
9	Safety Button	1	-----	500684
10	Fixed Gear 41T, 200% / 250%	1	-----	301345
11	Fixed Gear 44T, 200% / 250%	1	-----	301344
12	Bearing, 6003ZZ	2	-----	300807
13	Fixed Gear Shaft	1	-----	500685
13a	Snap Ring, STW-17, 17MM Ext.	2	-----	300017
14	Bearing Seat	1	-----	500686
14a	Snap Ring, RTW-35, 35MM INT.	2	-----	301842
14b	SHCS, M6 X 16L & S.W & W	4	-----	200802
15	SHCS, M6 X 10L	3	-----	200633
16	Carriage Top Cover	1	-----	600096
17	Carriage Cover Bracket	3	-----	500674
18	Spring Kit	2	-----	700200
19	Spring Seat	2	-----	500673
20	Sprocket, 17T	1	-----	500019
21	Chain, Inc. Master	1	-----	300846
22	SHCS, M8 X 30L	4	-----	204833
27	Carriage Top Pan	1	-----	500671
28	Gearmotor, SV-A10	1	-----	301358
29	SHCS, M6 X 16L	2	-----	200078
30	Limit Switch Brace	1	-----	500669
31	Limit Switch MNT Bracket	1	-----	500672
32	Limit Switch, TZ-7110	1	-----	400637
33	Machine Screw, M4 X 35	2	-----	200106
34	Gear, Drive, 19T, 200% / 250%	1	-----	301343
35	Sprocket, 12T	1	-----	301359
36	Prox Mount Bracket	1	-----	500670
37	Proximity Sensor, PM12-04N	1	-----	403556
38	Dancer Stop Assembly	2	-----	700074
39	Dancer Bar Assembly	1	-----	700479

ULINE H-2957
**AUTOMATIC STRETCH
 WRAP DISPENSER**

1-800-295-5510
 uline.com

FILM CARRIAGE/ELEVATOR PARTS LIST CONTINUED

#	DESCRIPTION	QTY.	ULINE PART NO.	MFG. PART NO.
40	Bearing HK 1010	2	-----	301369
41	Support Bracket	1	-----	500689
42	Film Holder Assembly	1	-----	700466
43	Bearing, NTB1730	1	-----	300026
44	SHCS, M6 X 16L	1	-----	200078
45	Thrust Bushing,Upper	1	-----	500474
46	Spring	1	-----	500113
47	Brake Disc	1	-----	500694
48	Friction Seat	1	-----	500695
49	Roller Ass'y, Rear	1	-----	700476
50	Limit Switch Mount Bracket	1	-----	500664
51	Limit Switch, TZ-8108	2	-----	400639
52	Carriage Plate, Rear	1	-----	600665
53	Acrylic Cover	1	-----	500666
54	Terminal Cover	1	-----	600159
55	Spacer, Small	2	-----	500698
56	Bearing Seat Assembly	4	-----	700481
57	Protection Ring	1	-----	500700
58	Pre-Stretch Roller, Large	1	-----	600098
59	Snap Ring, 17MM, External	2	-----	300009
60	Spacer, Large	1	-----	500699
61	Pre-Stretch Roller, Small	1	-----	600099
62	Carriage Frame	1	-----	600173
63	Sensor Plunger	1	-----	500677
64	Security Pan Shaft	1	-----	500678
65	Foot Security Pan	1	-----	600097
66	SHCS, M8 X 20L	1	-----	200084
67	Hinge, Carriage Door	2	-----	301360
68	SHCS, M6 X 16L	1	-----	200078
69	Safe Plate	1	-----	500676
70	Linear Bushing	1	-----	301363
71	Limit Switch Brace	2	-----	500669
72	Limit Switch, TZ-7110	2	-----	400637
73	Block	2	-----	500048
74	Roller Ass'y	1	-----	700505
75	Machine Screw, M4 X 10L	4	-----	200851
76	Puncture Solenoid Cover Bracket	1	-----	600176
77	Puncture Solenoid 24 VDC, TAU-1585	1	-----	300719

ULINE H-2957
AUTOMATIC STRETCH
WRAP DISPENSER

1-800-295-5510
 uline.com

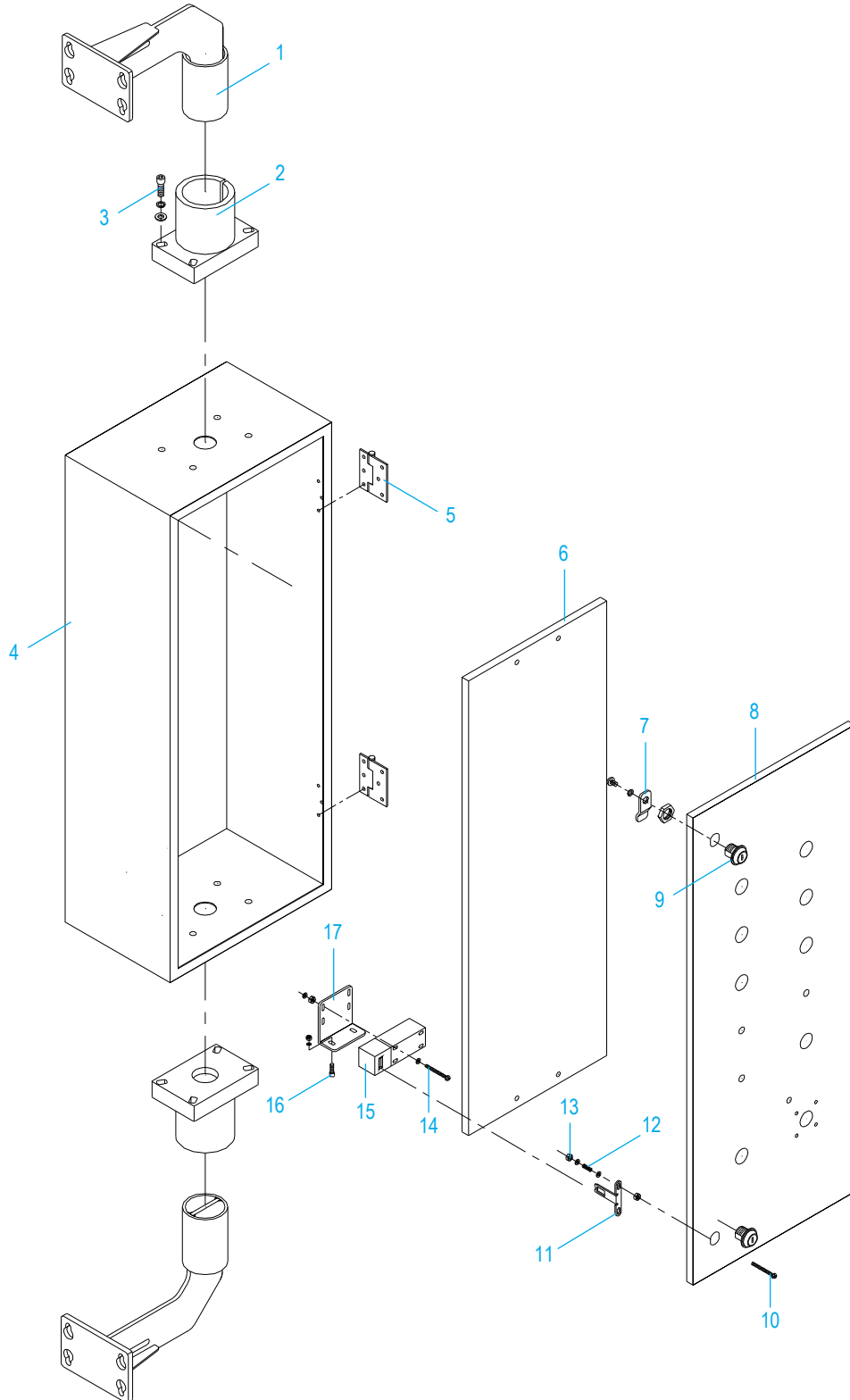
FILM CARRIAGE/ELEVATOR PARTS LIST CONTINUED

#	DESCRIPTION	QTY.	ULINE PART NO.	MFG. PART NO.
78	Puncture Tip	1	-----	300720
79	Puncture Guard	1	-----	500761
80	Roller Ass'y, Door – Outer	2	-----	700474
81	Sensor Mount Track	1	-----	500762
82	Photo Sensor, A3R-2MX	1	H-1020-00643	400643
83	Photo Eye Bracket	1	-----	500764
84	Handle, Photo Eye Bracket	1	-----	700506
85	Photo Sensor Slide Plate	1	-----	500763
86	Carriage Door	1	-----	600175
87	Spring	1	-----	301364
88	Door Lock Bolt	1	-----	500682
89	Roller Ass'y, Door – Inner	1	-----	700475
90	Lock Mount Plate	1	-----	500683
91	FHCS, M6 X 10L	1	-----	200634
92	Security Key	1	-----	500057
93	Handle Bar	1	-----	500667
94	Knob, Door Lock	1	-----	301361
95	Clutch Roller Mount	2	-----	500765
96	Clutch Bearing, Upper	1	-----	301369
97	Clutch Roller	1	-----	700507
98	Clutching Bearing, Lower	1	-----	301370
99	Roller Bracket	2	-----	500760
100	Spring, Foot Security Pan Return	1	-----	301814

ULINE H-2957 AUTOMATIC STRETCH WRAP DISPENSER

1-800-295-5510
uline.com

CONTROL BOX ASSEMBLY



ULINE H-2957
**AUTOMATIC STRETCH
 WRAP DISPENSER**

1-800-295-5510
 uline.com

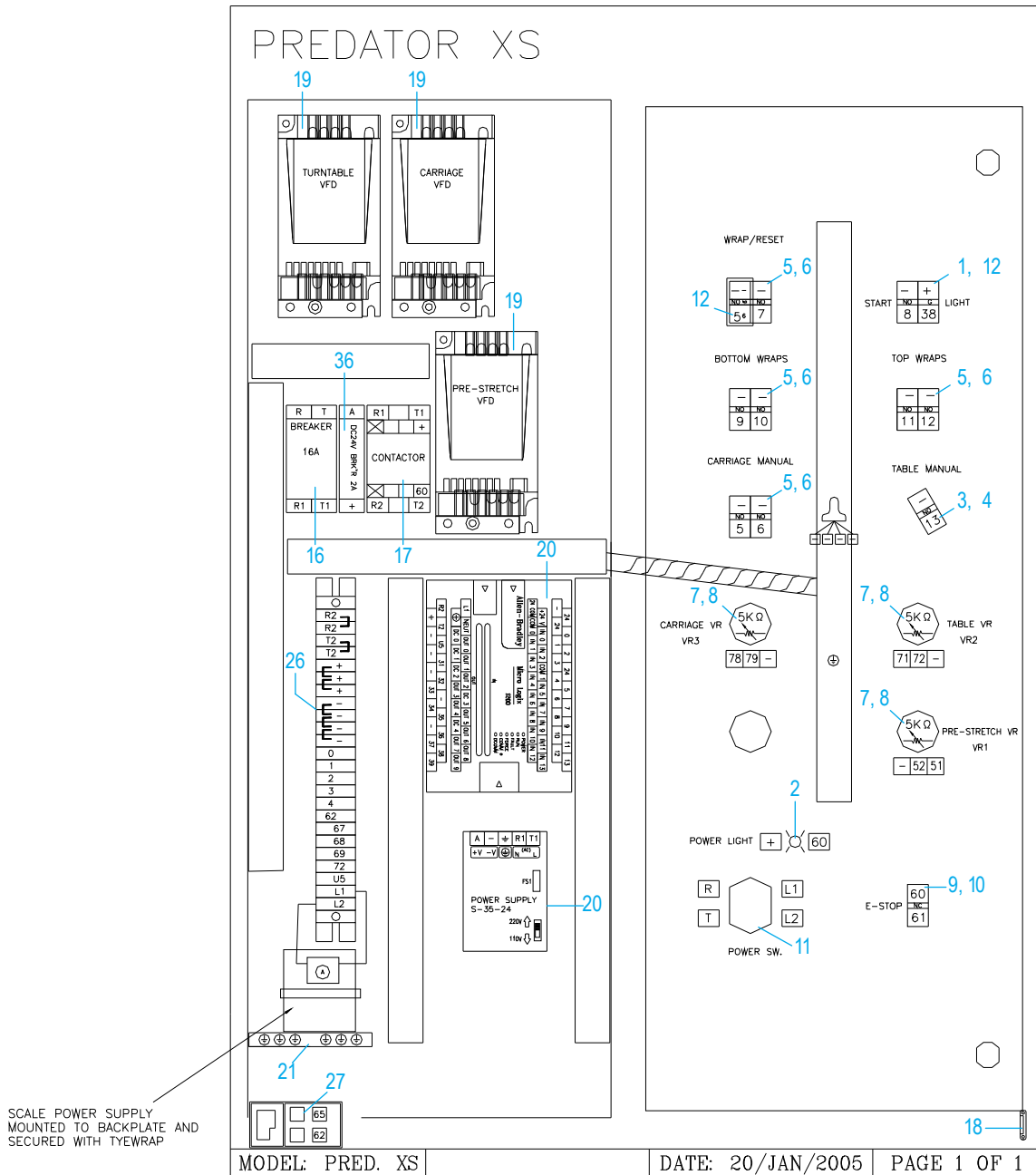
CONTROL BOX PARTS LIST

#	DESCRIPTION	QTY.	ULINE PART NO.	MFG. PART NO.
1	Support Bracket	2	-----	600152
2	Mount Bracket	2	-----	600153
3	SHCS, M8 X 40L	8	-----	200086
4	Electrical Box	1	-----	600154
5	Hinge	2	-----	500106
6	Subpanel	1	-----	500479
7	Lock Plate	2	-----	300048
8	Electrical Box Door	1	-----	600155
9	Lock, W/ Key	2	-----	300041
10	Phillips Screw, M4 X 25L	1	-----	200124
11	Key, Safety Switch	1	-----	500080
12	Spring	2	-----	500016
13	Nut, Nyloc, M4	2	-----	200788
14	Machine Screw, M4 X 35L	4	-----	200106
15	Safety Switch	1	-----	400644
16	Machine Screw, M4 X 12L	2	-----	200101
17	Security Switch Bracket	1	-----	500105

ULINE H-2957 AUTOMATIC STRETCH WRAP DISPENSER

1-800-295-5510
uline.com

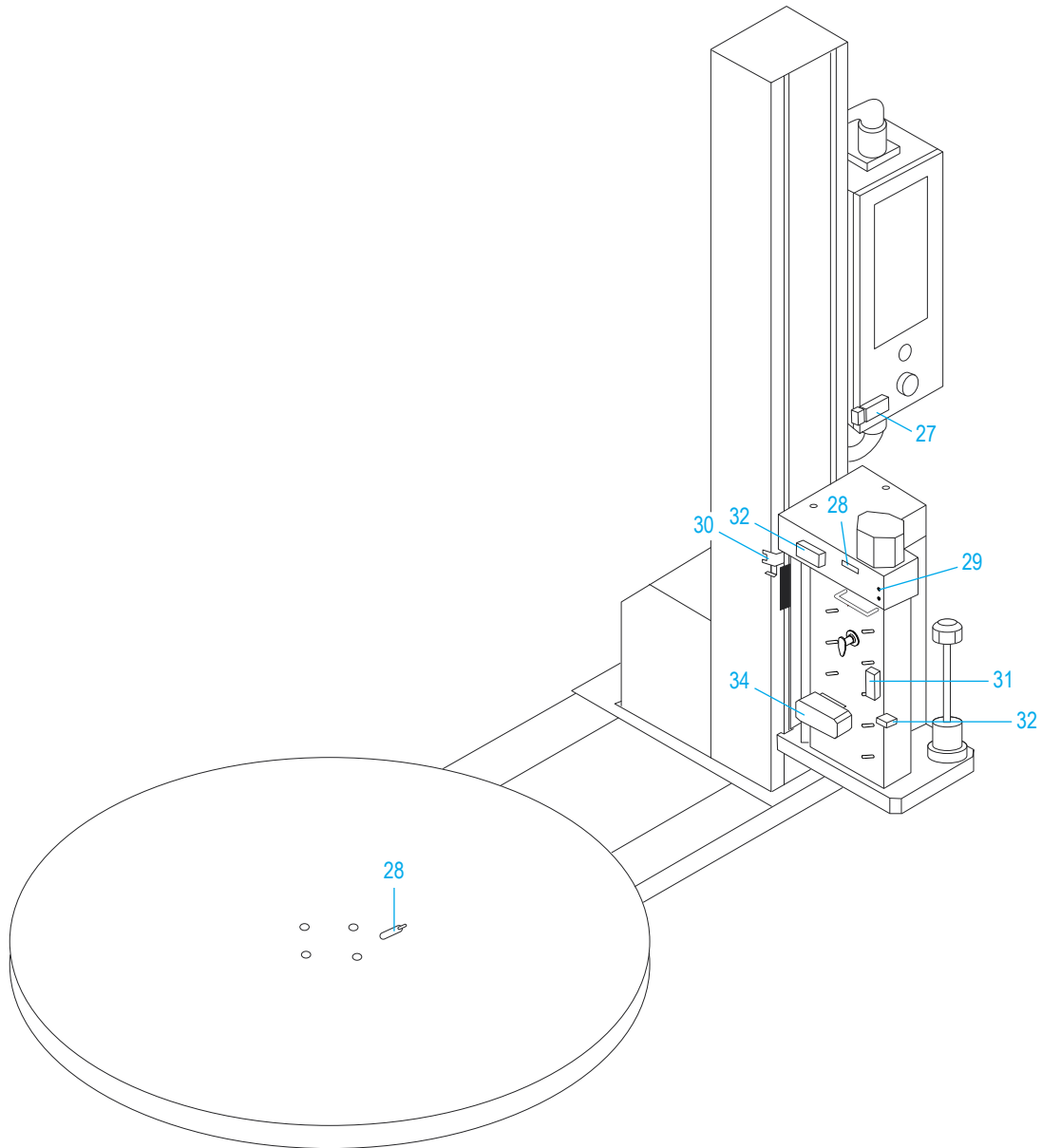
ELECTRICAL SUB-PANEL LAYOUT



ULINE H-2957
AUTOMATIC STRETCH
WRAP DISPENSER

1-800-295-5510
uline.com

ELECTRICAL SENSORS LAYOUT



ULINE H-2957
**AUTOMATIC STRETCH
 WRAP DISPENSER**

1-800-295-5510
 uline.com

ELECTRICAL PARTS LIST

#	DESCRIPTION	QTY.	ULINE PART NO.	MFG. PART NO.
1a	Auto Run Green Lamp ~ Base	1	-----	400610
1b	Auto Run Green Lamp ~ Lamp	1	-----	400611
1c	Auto Run Green Lamp ~ Cover	1	-----	400609
2	Power Lamp	1	-----	400608
3	Selector Switch, 2 Position	1	-----	400618
4	Contact Block, 1x No	1	-----	400615
5	Selector Switch, 3 Position	4	-----	400619
6	Contact Block, 2x No	4	-----	400617
7	Knob (Black)	3	-----	400620
8	Potentiometer, 5K	3	-----	400649
9	Emergency Switch	1	-----	400613
10	Contact Block, 1x NC	1	-----	400616
11	Disconnect Switch	1	-----	400621
12	Contact Block, 1x No	1	-----	400614
15	Contactactor	2	-----	403172
16	Breaker, C60A2PC16A	1	-----	403561
18	Key For Safety Switch	1	-----	500080
19	Ac Drive Atv12 ½ Hp	3	-----	408467
20	Plc, A-B Micrologix	1	-----	403103
21	Terminal Post	1	-----	403563
22	Power Supply, S-35-24 Or (Sub 403133)	2	-----	403564
23	Aux. Contact Block	1	-----	403565
24	Relay LY2, DC24V	1	-----	400630
25	Relay Base, LY2, PTF-08A	1	-----	400628
26	Terminal Strip, TB6P	1	-----	400607
27	Security Switch XCSPA791	1	-----	400644
28	Prox Sensor PM12-04N	2	-----	403556
29	Stretch % Indicator Board	1	-----	403566
30	Photo Sensor, A3R-2MX	1	H-1020-00643	400643
31	Limit Switch, TZ-8108	2	-----	400639
32	Limit Switch, TZ-7110	3	-----	400637
34	Solenoid (TAU-1585 DC24V)	1	-----	300719
35	Green Lamp 916L,DC24V	2	-----	400608
36	Breaker, C60N1PC2A	1	-----	403559
37	Relay R23 24V-2P	1	-----	403560
38	Dancer Stop Assembly	2	-----	700074
39	AC Drive ATV12 1Hp	1	-----	408463