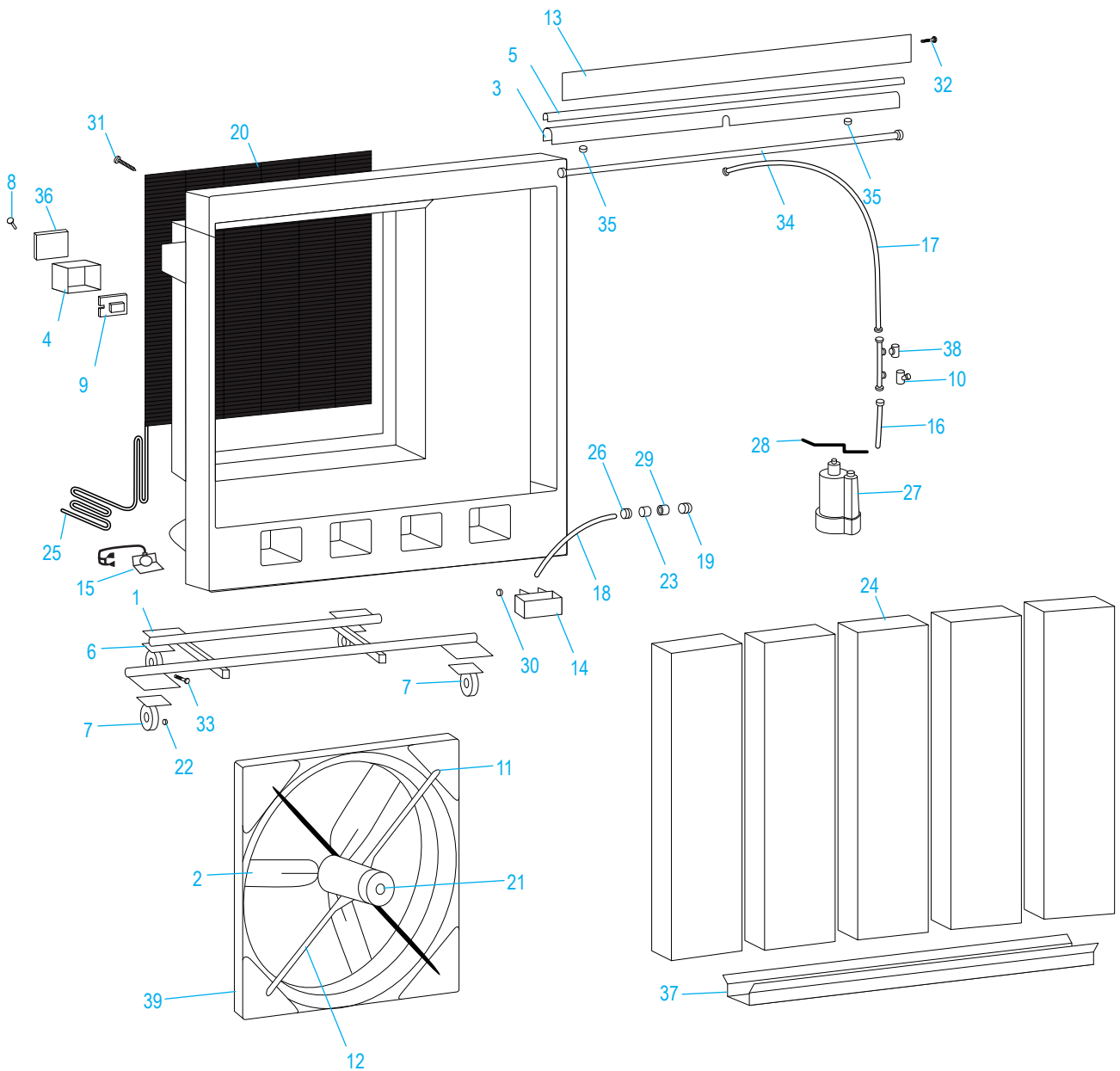
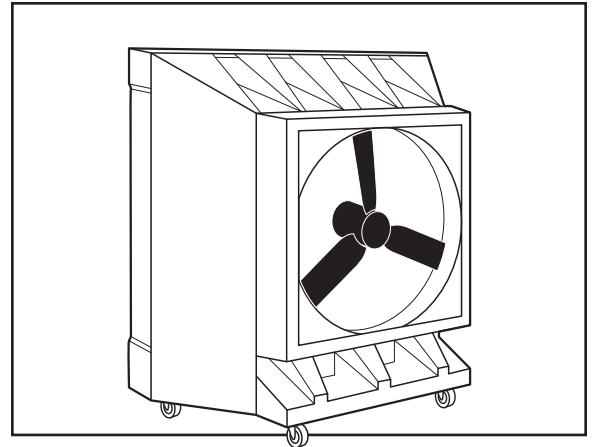


# ULINE H-3030 EVAPORATIVE COOLER

1-800-295-5510  
uline.com



**ULINE H-3030**  
**EVAPORATIVE COOLER**

1-800-295-5510  
 uline.com

#	DESCRIPTION	QTY.	ULINE PART NO.	MFG. PART NO.
1	Caddy	1	-----	BASE-2K36
2	36" Fan Blade Assembly	1	-----	BLADE-ASSM-01
3	Spray Bar Bonnet	1	-----	BONNET-01
4	Electrical Box	1	-----	BOX-UL-03
5	Bonnet Brace	1	-----	BRACE-36-02
6	Heavy Duty Swivel Caster	2	H-3030CASTER	CASTERS-HD-4
7	Heavy Duty Locking Swivel Caster	2	H-3030-LOCK	CASTERS-HD-4L
8	Long Extension Knob for Control Switch	1	-----	CTRL-KNOB-01
9	Var. SPD. Switch Set	1	-----	CTRL-VS-01
10	1/2" Boiler Drain	1	-----	DRAIN-01
11	Boots	1	-----	FANHP-BOOTS
12	PI-CO 3VP1006 Motor Support Arm	4	-----	FAN36HP-MNT-01
13	Front Flap	1	-----	FLAP-36-01
14	Float Valve	1	H-3030-FLT02	FLOAT-02
15	Water Pump Shut Off Switch	1	-----	FLOATSWITCH-01
16	Fem./Fem. 24" Hose	1	-----	HOSE-FF24
17	Fem./Fem. 50" Hose	1	-----	HOSE-FF50
18	Fem./Male 30" Hose	1	H-3030-FM30	HOSE-FM30
19	Fem./Fem. 3/4" Brass Swivel	1	-----	HOSE-FTG-07
20	Fan Screen	1	-----	MESH-PAC-02
21	1/2 HP Direct Drive Vosterman Motor	1	H-3030-MOTOR	MOTOR-012-05
22	5/16-18 Nylok Nut	16	-----	N-516-NYLOK
23	Brass Inlet Fitting	1	-----	PAC-PLB-01
24	Pad	5	H-3031	PAD6048/G
25	Electrical Cord	1	-----	POWERCORD-01
26	Water Pressure Regulator	1	-----	PRES-REG-01
27	Submersible 1/6 HP Pump	1	-----	PUMP-016-4R
28	Pump Bracket	1	-----	PUMP-ACC-13
29	3/4" x 1/2" Reducing Adapter	1	-----	PVC-ADP-01
30	1/4-20 x 1/2" Bolt for Float	2	-----	S-004
31	#12 x 1/4" Tek Screw	20	-----	S-006
32	5/16-18 Truss Head Screw	16	-----	S-007
33	10-24 x 3/4" Truss Head Screw	3	-----	S-009
34	Spray Bar	1	-----	SPRAY-06
35	Clamp Fastener 1029	3	-----	SPRAY-ACC-04
36	Switch Cover Plate Var. Sp.	1	-----	SWITCHPL-VARSPD
37	Pad Trough	1	-----	TROUGH-01
38	1/2" Gate Valve	1	-----	VALVE-01
39	36" Fan Venturi	1	-----	VENTURI-36-01