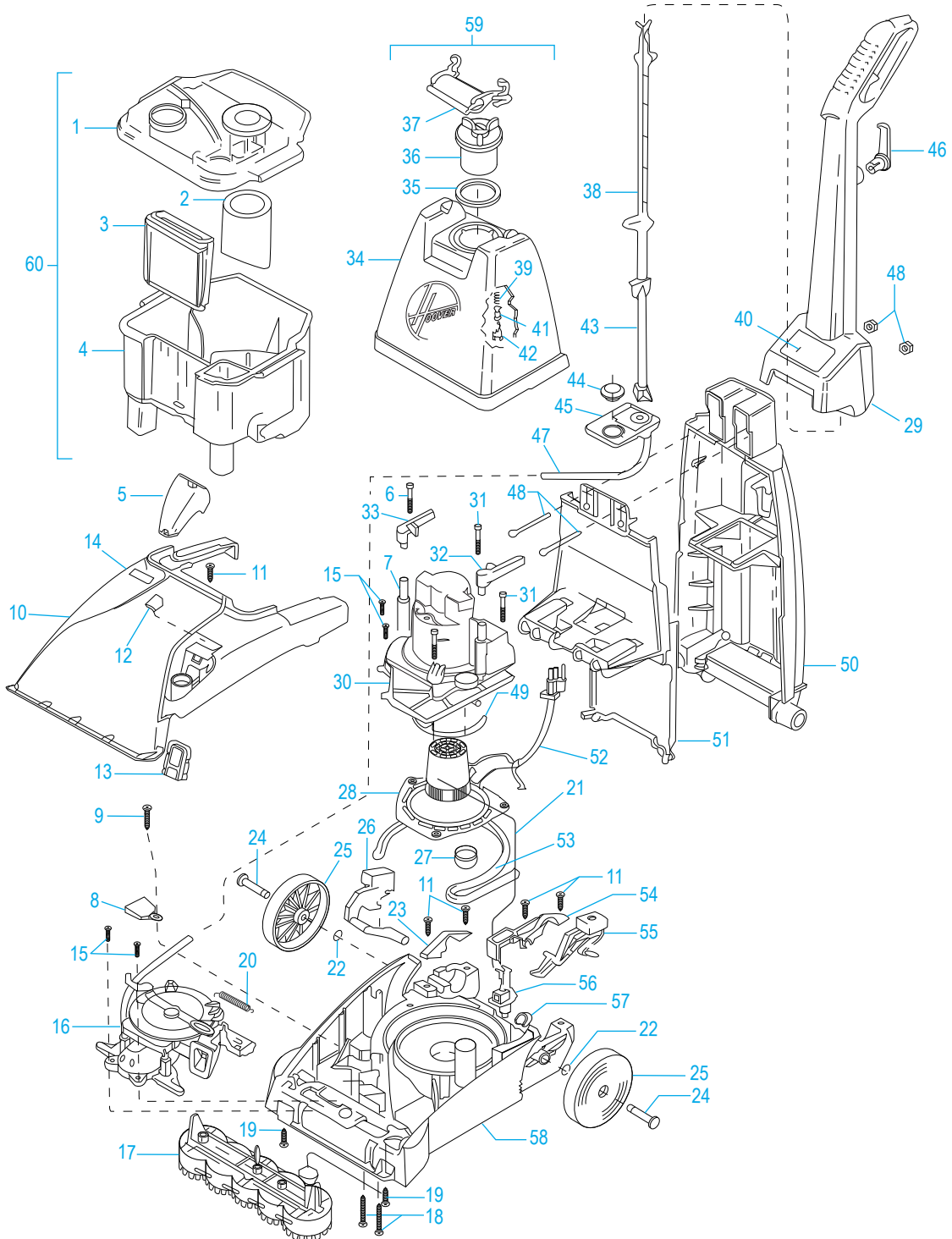
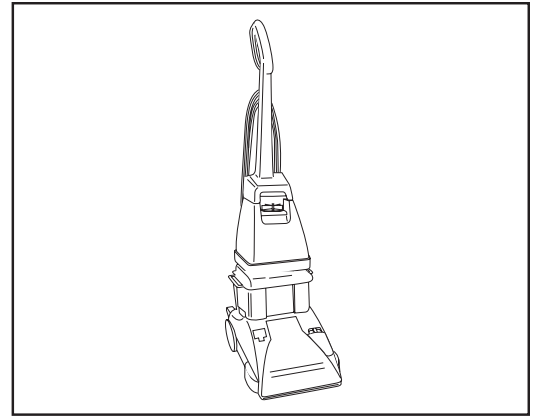


ULINE H-3481

**HOOVER® COMMERCIAL
STEAMVAC®**

1-800-295-5510
uline.com



PARTS LIST

#	DESCRIPTION	QTY.	ULINE PART NO.	MFG. PART NO.
1	Recovery Tank With Filter	1	-----	42272111
1	Float Retainer Steam Seal	1	-----	38784070
1	Float Assembly - Bright Yellow	1	-----	43538001
1	Float Retainer - Transparent	1	-----	31879207
2	Tank Filter	1	-----	38762014
3	Duct Tank Assembly	1	-----	38661004
4	Recovery Tank With Duct - Frost Translucent	1	-----	38661004
4	Recovery Tank With Duct - Storm Gray	1	-----	522207001
5	Lens- Transparent	1	-----	39383106
6	Screw	1	-----	21447246
7	Post	1	-----	-----
8	Inlet Cap - Black	1	-----	37911083
9	Screw - Self-Tapping	1	-----	21447217
10	Hood - Nozzle Assembly - Black	1	-----	37271057
11	Screw	5	-----	21447020
12	Indicator Knob - Magnesium Gray	1	-----	38421127
12	Indicator Knob - Satin Silver	1	-----	522202001
13	Screen Assembly - Black	1	-----	43613009
14	Hood/Nozzle Name Plate	1	-----	51669080
15	Screw - Self Tapping	4	-----	21447217
16	Turbine and Gear - 5 Brush	1	-----	4319019
17	Brush Block - 5 Brush	1	-----	48437022
18	Screw	2	-----	21479438
19	Screw	2	-----	21447072
20	Spring	1	-----	38333009
21	Lead Wire - Black	1	-----	49811039
22	Lock Ring	2	-----	160017
23	Trunion Cover - Right Magnesium Gray	1	-----	36131124
24	Rear Axle	2	-----	32434007
25	Rear Wheel - Magnesium Gray	2	-----	38522091
25	Rear Wheel - Black	1	-----	522206001
26	Handle Release Lever - Black	1	-----	38458042
26	Handle Release Lever - Satin Silver	1	-----	522205001
27	Standpipe Seal	1	-----	38784063
28	Motor Assembly	1	-----	27212049
29	Upper Handle Assembly - Magnesium Gray	1	H-3481-UPHND	48663237
30	Motor Cover Assembly	2	-----	40309027

PARTS LIST

#	DESCRIPTION	QTY.	ULINE PART NO.	MFG. PART NO.
31	Screw - Self Tapping	1	-----	21447232
32	Tank Release Latch - Left Magnesium Gray	1	-----	36151044
32	Tank Release Latch - Left Satin Silver	1	-----	522194002
33	Tank Release Latch - Right Magnesium Gray	1	-----	36151043
33	Tank Release Latch - Right Satin Silver	1	-----	522194001
34	Solution Tank - No Handle - Frost Translucent	1	-----	42272145
34	Solution Tank - With Handle - Frost Translucent	1	-----	42272134
35	Gasket	1	-----	38784062
36	Cap Assembly - Black	1	-----	90001288
37	Solution Tank Handle - Magnesium Gray	1	-----	39457053
37	Solution Tank Handle - Satin Silver	1	-----	522209001
38	Upper Control Rod - Black	1	-----	34858031
39	Spring	1	-----	38342014
40	Upper Handle Nameplate	1	-----	-----
41	Valve Seal	1	-----	38784061
42	Valve Stem - Black	1	-----	38717009
43	Lower Control Rod - Transparent	1	-----	38458033
44	Solution Tank Seal	1	-----	38784060
45	Reservoir Assembly With Seal Black/Magnesium Gray	1	-----	90001225
46	Cord Wrap - Magnesium Gray	1	-----	39442048
47	Service Tubing	1	-----	40309002
48	Hardware Kit Assembly	2	-----	40201145
49	Motor Seal	1	-----	34113004
50	Lower Handle - Magnesium Gray	1	-----	48669030
51	Handle Cover	1	-----	37276001
52	Power Cord - 35/3 Wire - Safety Orange	1	-----	46583048
53	Motor Base Seal	1	-----	38781048
54	Trunion Cover - Left Magnesium Gray	1	-----	36131125
55	Switch Actuator Lever - Black	1	-----	38434025
55	Switch Actuator Lever - Satin Silver	1	-----	522203001
56	Switch	1	-----	28218061
57	Cord Retainer - Black	1	-----	36172054
58	Main Body/Nozzle Base - 5 Brush	1	-----	42274005
58	Main Body/Nozzle Base - 5 Brush Shadow Gray	1	-----	522197001
59	Solution Tank & Cap Assembly - Frost Translucent	1	-----	42272134
59	Solution Tank & Cap Assembly - Storm Gray	1	-----	304040001
60	Recovery Tank Assembly With Lid	1	-----	38777081