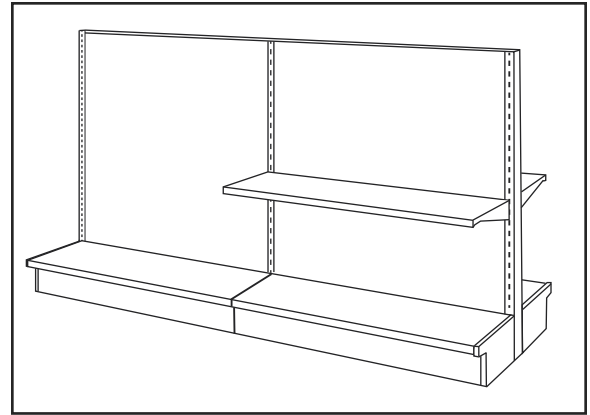


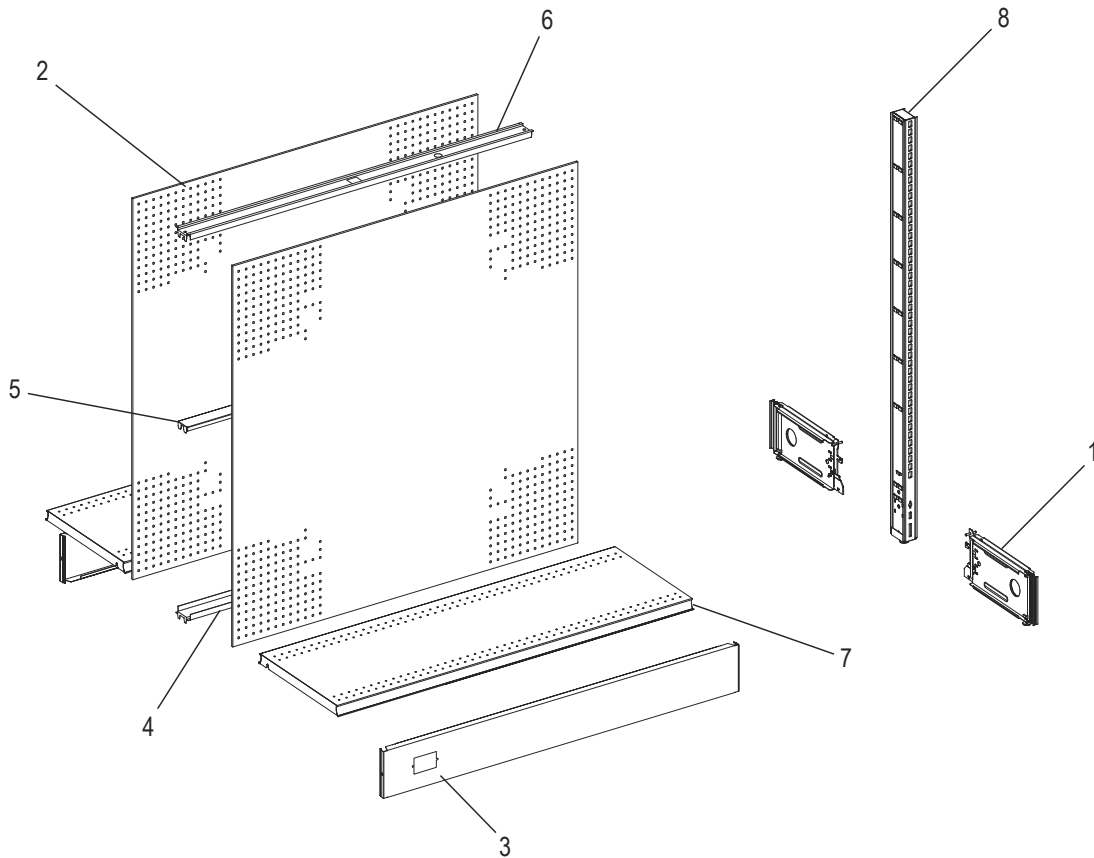
# ULINE H-3875BL-ADD

## DOUBLE-SIDED GONDOLA SHELVING

1-800-295-5510  
 uline.com



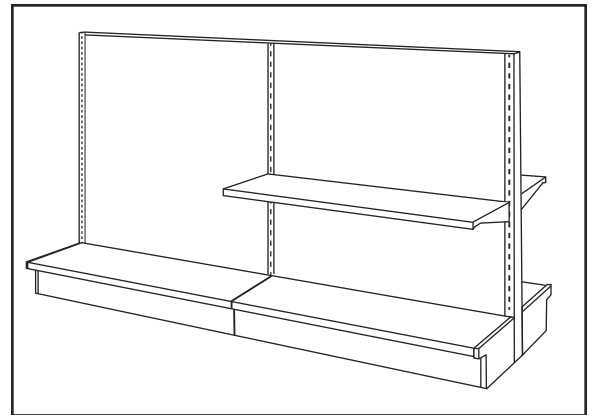
### 4' ISLAND ADD-ON



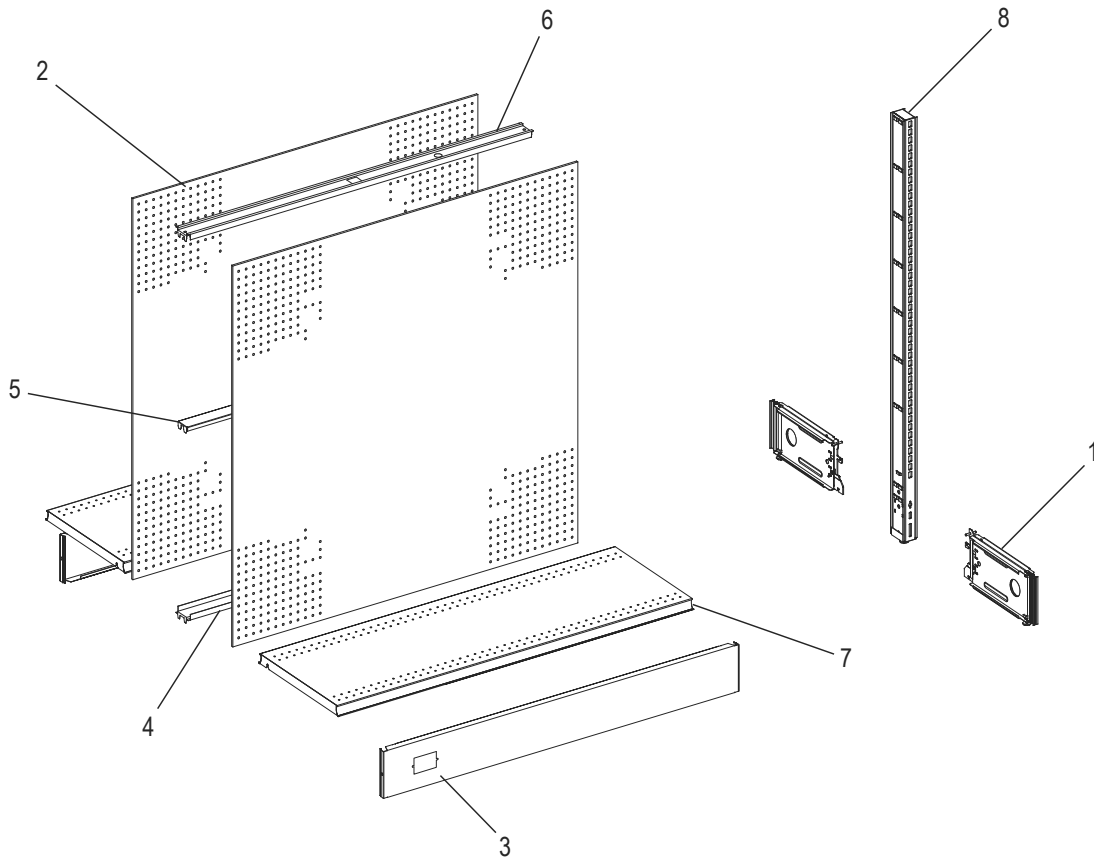
#	DESCRIPTION	QTY.	ULINE PART NO.	MFG. PART NO.
1	Base Bracket – 16"	2	H-3910	BB1606S.PTD
2	Back Panel – 48 x 48"	2	H-3927BL	BE448P.CHR
3	Closed Base Front – 48"	2	H-3922	CBF406.CHR
4	Bottom Rail – 48"	1	H-3924BL	R4B.CHR
5	Center Rail – 48"	1	H-3925	R4C.N/A
6	Top Rail – 48"	1	H-3926BL	R4T.CHR
7	Base Deck – 48 x 16"	2	H-3921BL	SD416N.CHR
8	Upright – 54"	1	H-3928BL	U54.CHR

**ULINE H-3875BL-ADD**  
**ESTANTERÍA GÓNDOLA**  
**DE DOBLE LADO**

800-295-5510  
 uline.mx



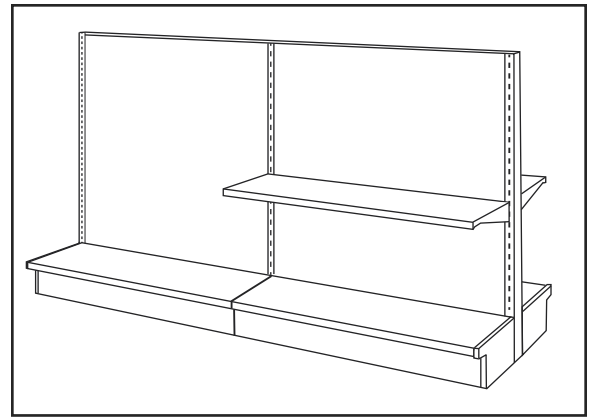
UNIDAD COMPLEMENTARIA PARA ISLA DE 4'



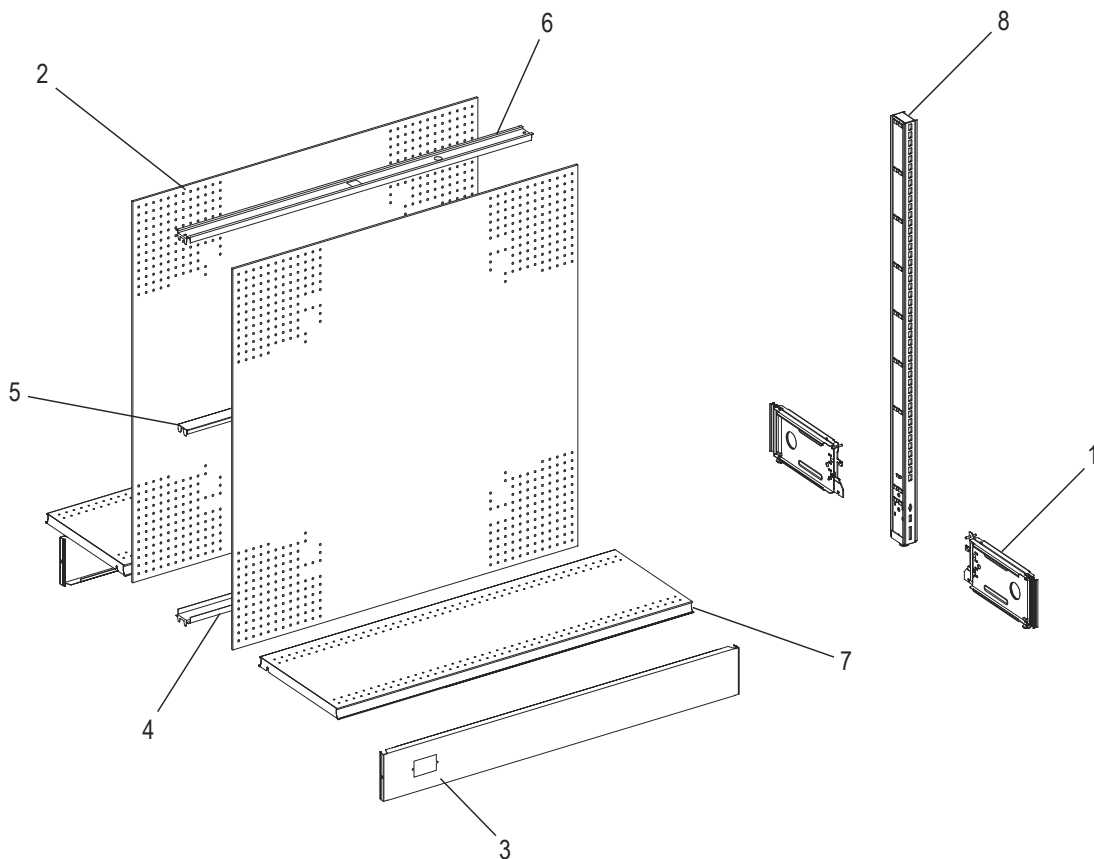
#	DESCRIPCIÓN	CANT.	NO. DE PARTE DE ULINE	NO. DE PARTE DEL FABRICANTE
1	Soporte de la Base 40 cm (16")	2	H-3910	BB1606S.PTD
2	Panel Posterior de 122 x 122 cm (48 x 48")	2	H-3927BL	BE448P.CHR
3	Cerramiento para Base Frontal 122 cm (48")	2	H-3922	CBF406.CHR
4	Riel Inferior 122 cm (48")	1	H-3924BL	R4B.CHR
5	Riel 122 cm (48")	1	H-3925	R4C.N/A
6	Riel Superior 122 cm (48")	1	H-3926BL	R4T.CHR
7	Plataforma de Base 122 x 40 cm (48 x 16")	2	H-3921BL	SD416N.CHR
8	Poste Vertical de 137 cm (54")	1	H-3928BL	U54.CHR

**ULINE H-3875BL-ADD**  
**RAYONNAGE GONDOLE**  
**À DEUX FACES**

1-800-295-5510  
 uline.ca



UNITÉ DE BASE DE 1,2 M (4 PI)



#	DESCRIPTION	QTÉ	RÉF. ULINE	RÉF. DU FABRICANT
1	Support de base – 40,6 cm (16 po)	2	H-3910	BB1606S.PTD
2	Panneau arrière – 122 x 122 cm (48 x 48 po)	2	H-3927BL	BE448P.CHR
3	Garniture avant de la base – 122 cm (48 po)	2	H-3922	CBF406.CHR
4	Glissière inférieure – 122 m (48 po)	1	H-3924BL	R4B.CHR
5	Glissière centrale – 122 cm (48 po)	1	H-3925	R4C.N/A
6	Glissière supérieure – 122 m (48 po)	1	H-3926BL	R4T.CHR
7	Tablette de base – 122 x 40,6 cm (48 x 16 po)	2	H-3921BL	SD416N.CHR
8	Montant – 137 cm (54 po)	1	H-3928BL	U54.CHR