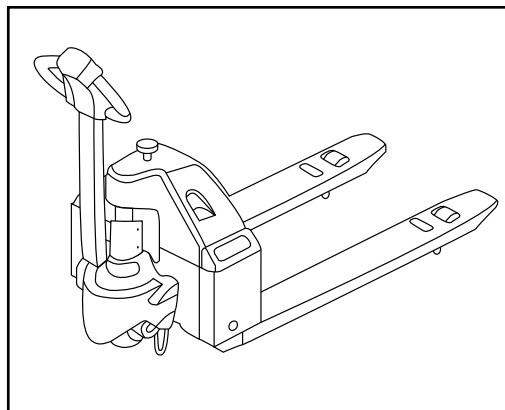
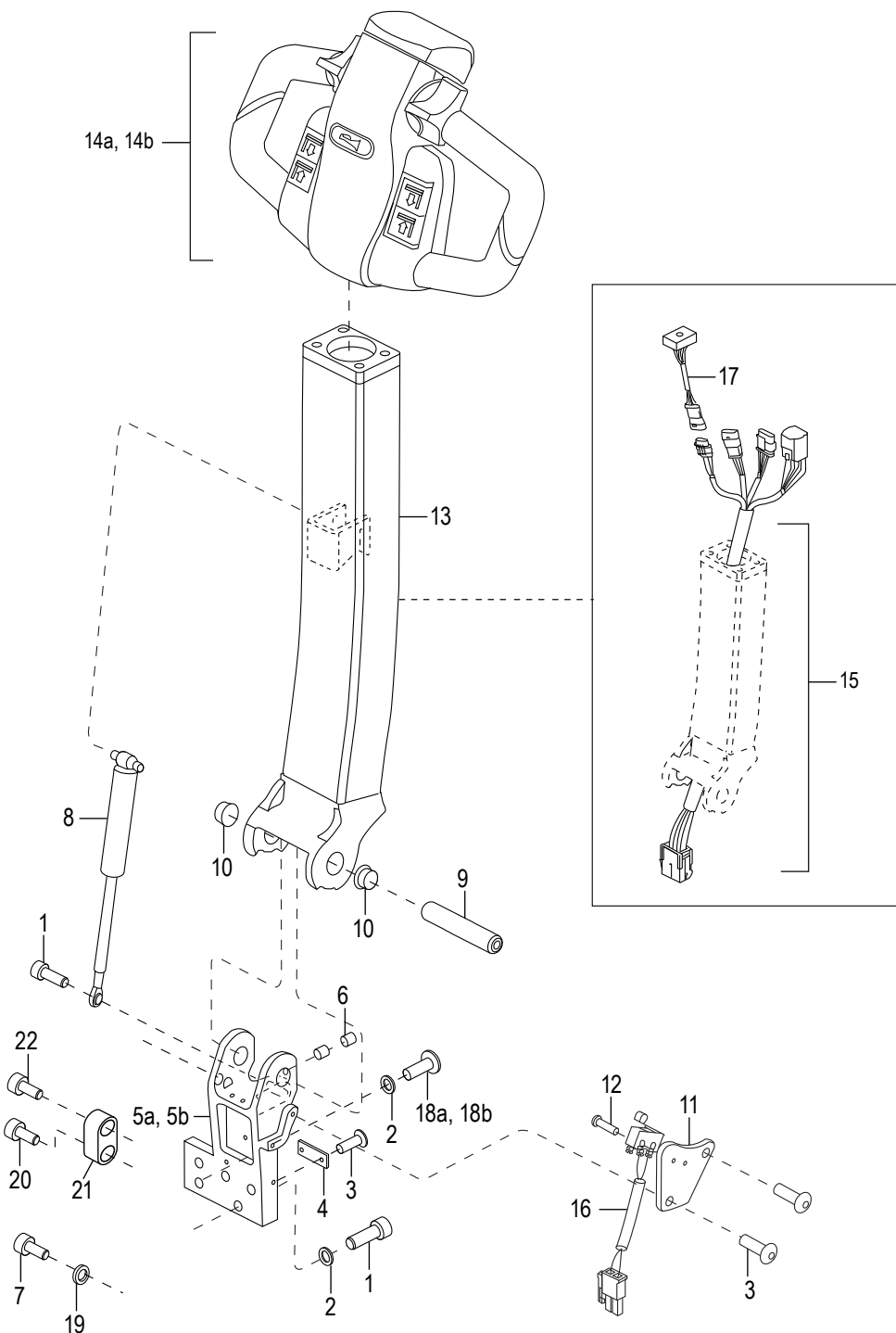


ULINE H-4709 BIG JOE® ELECTRIC PALLET TRUCK – 3,000 LB

1-800-295-5510
uline.com



STEERING ARM



ULINE H-4709
BIG JOE® ELECTRIC
PALLET TRUCK – 3,000 LB

1-800-295-5510
 uline.com

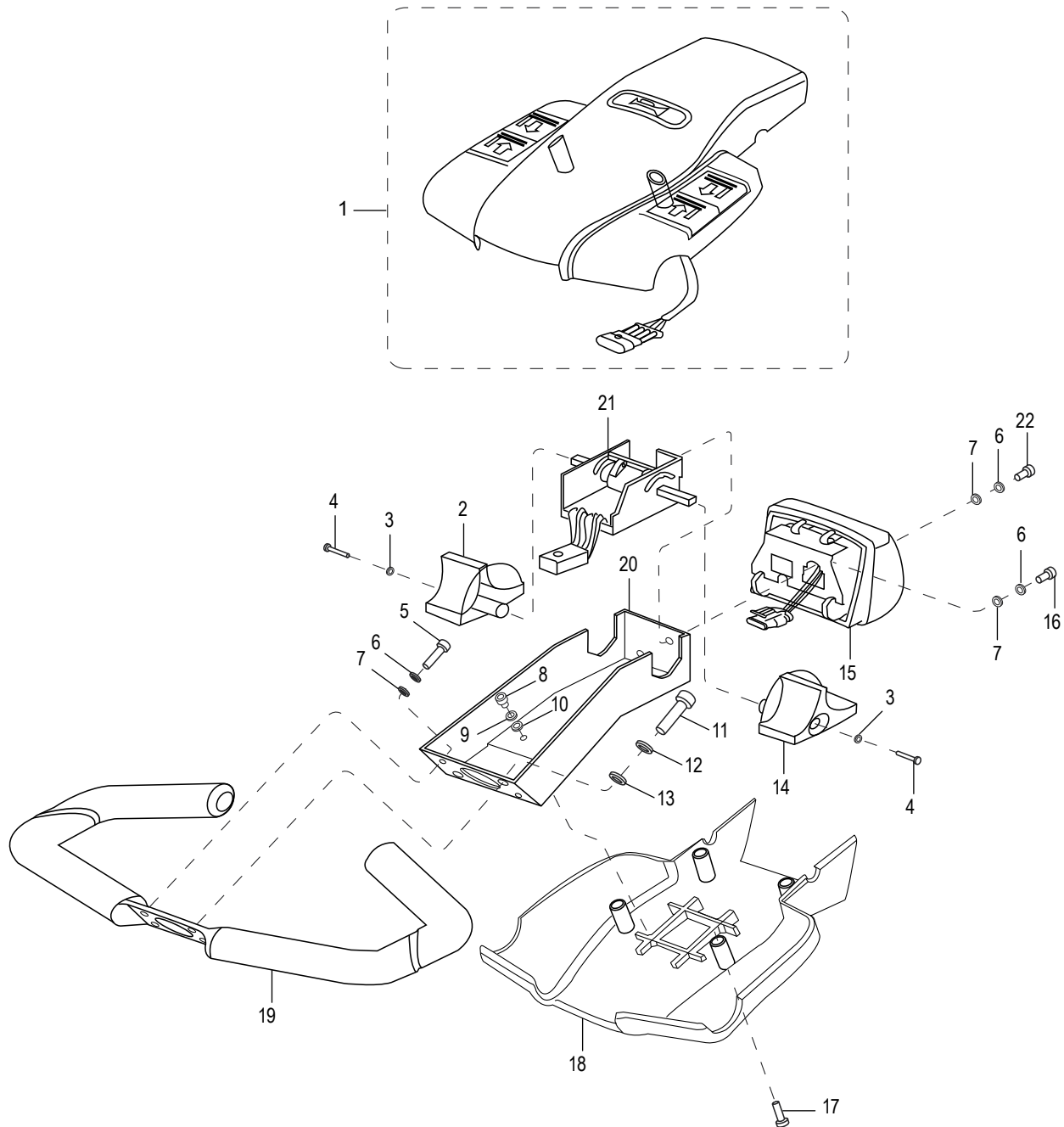
STEERING ARM PARTS LIST

| # | DESCRIPTION | QTY. | ULINE PART NO. | MFG. PART NO. |
|-----|--|------|----------------|-------------------|
| 1 | Screw | 4 | H-4709-SC322 | 0000-000322-00 |
| 2 | Lock Washer | 5 | H-4709-LW159 | 0000-000159-00 |
| 3 | Screw | 4 | H-4709-3 | 0000-000651-00 |
| 4 | Plate (Used up to Serial # E2319735) | 1 | ----- | 1115-500004-00 |
| 5a | Bracket (Used up to Serial # E2219053) (Replaces 1115-3000001-00) | 1 | H-4709-5 | 1115-300001-0A |
| 5b | Bracket (Used from Serial # E2219054) | 1 | H-4709-BRCKT | 1115-300001-0C |
| 6 | Screw, M6 x 6 (Set Screw) | 2 | ----- | 0000-001019-00 |
| 7 | Screw (Used up to Serial # E2219053) | 1 | H-4709-7 | 0000-000030-00 |
| 8 | Gas Spring | 1 | H-5020 | 1120-320000-00 |
| 9 | Handle Pivot Pin | 1 | H-4709-9 | 1115-300002-00 |
| 10 | Bushing | 2 | H-4709BUSHNG | 0000-000677-00 |
| 11 | Bracket | 1 | H-4709-11 | 1115-500001-00 |
| 12 | Screw M2 x 12 ST | 2 | H-4709-M2X12 | 0000-000989-00 |
| 13 | Handle Arm Assembly | 1 | H-4709-HNDL | 1115-310000-00 |
| 14a | Control Head Assembly (Used up to Serial # 427102394) | 1 | H-4709CONTRL | 1115-320000-00 |
| 14b | Control Head Assembly (Used from to Serial # 427102395) | 1 | H-4709-HEAD | 1115-340000-00-70 |
| 15 | Wiring Harness | 1 | H-4709WHRNS | 1115-520010-00 |
| 16 | Deadman Switch Assembly with Wiring Harness | 1 | H-4709SWASMB | 1115-520009-0A |
| 17 | Potentiometer Wire Harness | 1 | H-4709WREHRN | 1115-520017-00 |
| 18a | Screw (Used up to Serial # 426193482) | 2 | H-4709-SC912 | 0000-000912-00 |
| 18b | Screw (Used up to Serial # E2219053) | 2 | H-4710-M8X25 | 0000-000151-00 |
| 19 | Washer (Used up to Serial # E2219053) | 1 | H-4709-19 | 0000-000063-00 |
| 20 | Screw M8 x 20 (Used from Serial # E2219054) | 1 | H-4709-SC101 | 0000-001101-00 |
| 21 | Proximity Block (Used from Serial # E2219054) | 1 | H-4709-BLOCK | 1115-300003-00 |
| 22 | Screw (Used from Serial # E2219054) | 1 | H-4709-SC004 | 1115-300004-00 |
| | Drive Wiring Harness (Not Shown) | 1 | H-4709DHRNSS | 1115-520002-1F |
| | Master Wiring Harness (Not Shown) | 1 | H-4709WIREH | 1115-520001-0C |

ULINE H-4709
BIG JOE® ELECTRIC
PALLET TRUCK – 3,000 LB

1-800-295-5510
uline.com

CONTROL HEAD
(UP TO SERIAL # 427102394)



ULINE H-4709
BIG JOE® ELECTRIC
PALLET TRUCK – 3,000 LB

1-800-295-5510
 uline.com

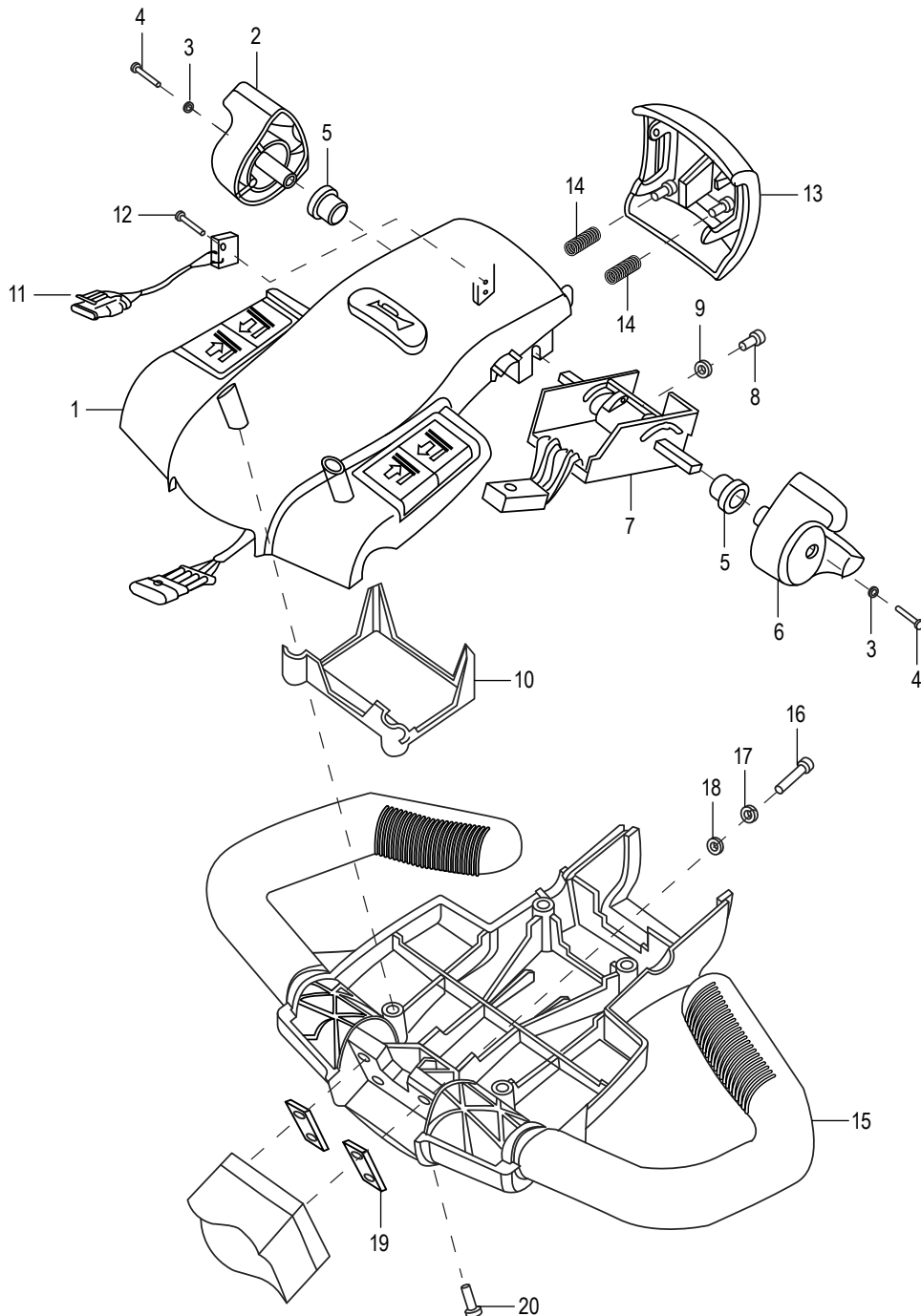
CONTROL HEAD PARTS LIST
(UP TO SERIAL # 427102394)

| # | DESCRIPTION | QTY. | ULINE PART NO. | MFG. PART NO. |
|-----|---|------|----------------|------------------|
| 1 | Control Head Cover Assembly with Wiring Hardware | 1 | H-4709-21 | 1120-342000-00-B |
| 2 | Control Knob Right Side | 1 | H-5030 | 1120-340005-00 |
| 3 | Washer | 2 | H-4709-LW038 | 0000-000038-00 |
| 4 | Screw, M3 x 12 | 2 | H-4709-SC037 | 0000-000037-00 |
| 5 | Screw | 2 | H-4709-004 | 0000-000004-00 |
| 6 | Washer | 4 | H-4709-206 | 0000-000206-00 |
| 7 | Flatwasher | 4 | H-4709-390 | 0000-000390-00 |
| 8 | Screw | 2 | H-4710-M4X8 | 0000-000088-00 |
| 9 | Lock Washer 04 | 2 | H-7505-WASH4 | 0000-000122-00 |
| 10 | Flatwasher 04 | 2 | ----- | 0000-000702-00 |
| 11 | Screw | 2 | H-4709-SC322 | 0000-000322-00 |
| 12 | Lock Washer | 2 | H-4709-LW159 | 0000-000159-00 |
| 13 | Washer | 2 | H-4709-176 | 0000-000176-00 |
| 14 | Control Knob Left Side | 1 | H-5029 | 1120-34003-00 |
| 15 | Belly Button Cover Assembly with Wire Harness (Up to Serial # 427102394) | 1 | H-4778 | 1115-343000-00-B |
| 15a | Belly Button Cover Assembly with Wire Harness (Used from Serial # 427102395) | 1 | H-4710-COVER | 1115-340003-00 |
| 16 | Screw | 1 | H-4709-004 | 0000-000004-00 |
| 17 | Screw | 4 | H-4710-M5X20 | 0000-000035-00 |
| 18 | Cover | 1 | H-4710-HAND | 1120-340002-00 |
| 19 | Handle | 1 | H-4710-HN341 | 1120-341000-00 |
| 20 | Connector Bracket | 1 | H-4709-CB | 1120-340001-00 |
| 21 | Accelerator (Replaced by 1120-340004-00-01) | 1 | H-5028 | 1120-520008-0C |
| 22 | Screw | 1 | ----- | 0000-000010-00 |

ULINE H-4709
BIG JOE® ELECTRIC
PALLET TRUCK – 3,000 LB

1-800-295-5510
uline.com

CONTROL HEAD
(FROM SERIAL # 427102395)



ULINE H-4709
BIG JOE® ELECTRIC
PALLET TRUCK – 3,000 LB

1-800-295-5510
 uline.com

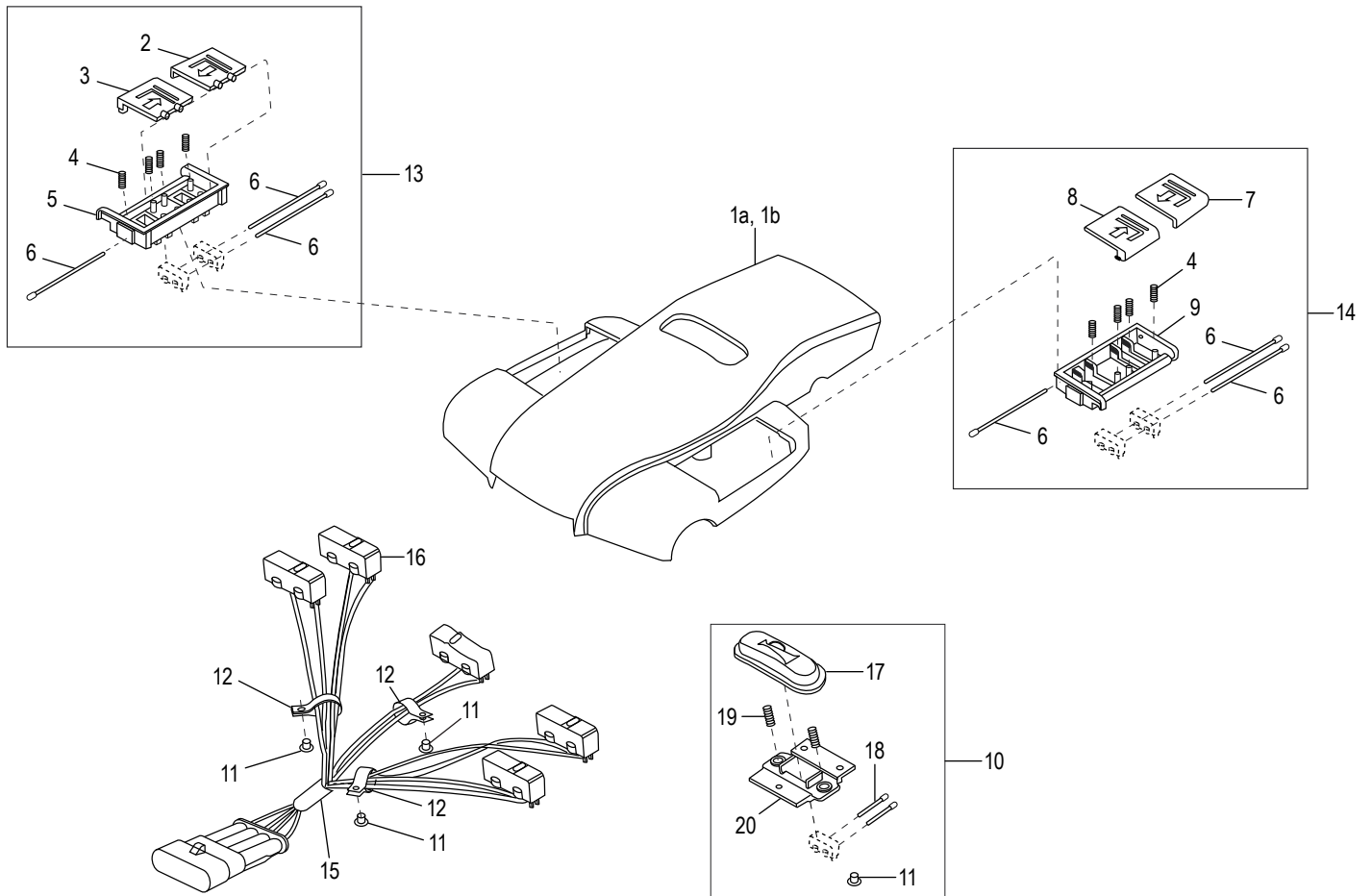
CONTROL HEAD PARTS LIST
(FROM SERIAL # 427102395)

| # | DESCRIPTION | QTY. | ULINE PART NO. | MFG. PART NO. |
|----|--------------------------------------|------|----------------|-------------------|
| 1 | Cap Assembly with Harness | 1 | H-4710-CAPAS | 1115-341000-00-10 |
| 2 | Control Knob Right Side | 1 | H-4710-RCK | 1115-340005-00 |
| 3 | Washer | 2 | H-4709-LW038 | 0000-000038-00 |
| 4 | Screw, M3 x 12 | 2 | H-4709-SC037 | 0000-000037-00 |
| 5 | Bushing | 2 | ----- | 1115-340006-00 |
| 6 | Control Knob Left Side | 1 | H-4710-LCK | 1115-340004-00 |
| 7 | Accelerator Potentiometer | 1 | H-5028 | 1220-520008-0C |
| 8 | Bolt | 1 | ----- | 0000-000323-00 |
| 9 | Flatwasher | 1 | H-4709-390 | 0000-000390-00 |
| 10 | Wire Harness Cover | 1 | ----- | 1115-340007-00 |
| 11 | Reversing Switch Wire | 1 | H-4709-0410 | 1115-52004-10 |
| 12 | Screw M2 x 12 ST | 2 | H-4709-M2X12 | 0000-000989-00 |
| 13 | Cover, Belly Button | 1 | H-4710-COVER | 1115-340003-00 |
| 14 | Spring | 2 | H-4710-0004 | 1121-310004-00 |
| 15 | Underside Cover with Grips (no hole) | 1 | H-4710-HAND | 1115-340002-00 |
| 16 | Screw | 4 | H-4709-SC322 | 0000-000322-00 |
| 17 | Lock Washer | 4 | H-4709-LW159 | 0000-000159-00 |
| 18 | Washer | 4 | H-4709-176 | 0000-000176-00 |
| 19 | Washer | 2 | H-4709-WCHA | 1115-340001-00 |
| 20 | Screw | 4 | H-4710-M5X20 | 0000-000035-00 |

ULINE H-4709 BIG JOE® ELECTRIC PALLET TRUCK – 3,000 LB

1-800-295-5510
uline.com

CONTROL HEAD COVERS



ULINE H-4709
BIG JOE® ELECTRIC
PALLET TRUCK – 3,000 LB

1-800-295-5510
 uline.com

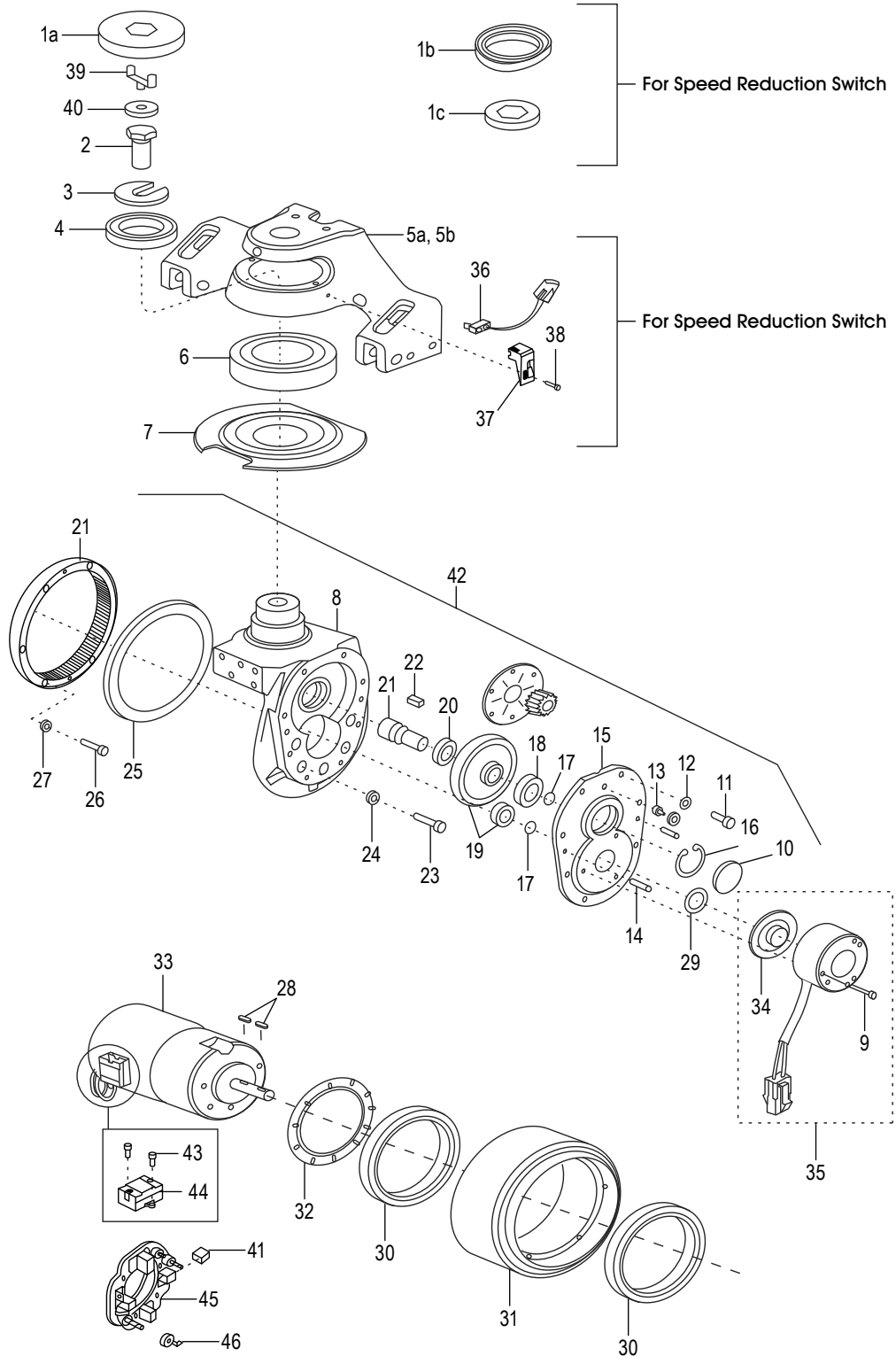
CONTROL HEAD COVERS PARTS LIST

| # | DESCRIPTION | QTY. | ULINE PART NO. | MFG. PART NO. |
|----|--|------|----------------|----------------|
| 1a | Cover (Used up to Serial #427102394) | 1 | H-4710-UPC | 1120-342001-00 |
| 1b | Cover (Used from Serial # 427102395) | 1 | ----- | 1115-341001-00 |
| 2 | Lift Button (Right Side) | 1 | H-5023 | 1120-342203-00 |
| 3 | Lowering Button (Right Side) | 1 | H-5024 | 1120-342202-00 |
| 4 | Spring | 8 | H-5025 | 1120-342102-00 |
| 5 | Button Bracket (Right Side) | 1 | ----- | 1120-342201-00 |
| 6 | Pin | 6 | ----- | 1120-342105-00 |
| 7 | Lift Button (Left Side) | 1 | H-5026 | 1120-342104-00 |
| 8 | Lowering Button (Left Side) | 1 | H-5027 | 1120-342103-00 |
| 9 | Button Bracket (Left Side) | 1 | ----- | 1120-342101-00 |
| 10 | Horn Button Assembly Includes: • Screw #11 (1) • Horn Button #17 (1) • Pin #18 (2) • Spring #19 (2) | 1 | ----- | 1120-342300-00 |
| 11 | Screw | 6 | ----- | 0000-000039-00 |
| 12 | Line Clamp | 3 | ----- | 0000-000490-00 |
| 13 | Lift/Lower Switch Box Assembly (Right Side) (Switches not Included) Includes: • Lift Button (Right Side) #2 (1) • Lowering Button (Right Side) #3 (1) • Spring #4 (4) • Button Bracket (Right Side) #5 (1) • Pin #6 (3) | 1 | H-5022 | 1120-342200-00 |
| 14 | Lift/Lower Switch Box (Left Side) (Switches not Included) Includes: • Lift Button (Left Side) #7 (1) • Lowering Button (Left Side) #8 (1) • Spring #4 (4) • Button Bracket (Left Side) #9 (1) • Pin #6 (3) | 1 | H-5021 | 1120-342100-00 |
| 15 | Control Head Microswitch and Harness Assembly | 1 | H-4709-CHSHQ | 1220-52006-0C |
| 16 | Switch | 5 | H-4709-MSWQ | 1220-560002-00 |
| 17 | Horn Button | 1 | ----- | 1120-342002-00 |
| 18 | Pin | 2 | ----- | 1120-342005-00 |
| 19 | Spring | 2 | ----- | 1120-342003-00 |
| 20 | Button Bracket | 1 | ----- | 1120-342004-00 |

ULINE H-4709
BIG JOE® ELECTRIC
PALLET TRUCK – 3,000 LB

1-800-295-5510
uline.com

TRANSMISSION/MOTOR BRAKE HOUSING
(UP TO SERIAL # 426150000)



ULINE H-4709
BIG JOE® ELECTRIC
PALLET TRUCK – 3,000 LB

1-800-295-5510
 uline.com

TRANSMISSION / MOTOR BRAKE HOUSING PARTS LIST
(UP TO SERIAL # 426150000)

| # | DESCRIPTION | QTY. | ULINE PART NO. | MFG. PART NO. |
|----|--|------|----------------|----------------|
| 1a | Rubber Washer (Used up to 10-24-2012) | 1 | ----- | 1115-200012-00 |
| 1b | Guide (Optional if truck has Speed Reduction Switch) | 1 | ----- | 1115-700002-00 |
| 1c | Connecting Piece (Optional if truck has Speed Reduction Switch) | 1 | ----- | 1115-700003-00 |
| 2 | Bolt | 1 | ----- | 1115-200011-00 |
| 3 | Plate | 1 | H-4709-PLATE | 1115-200009-0A |
| 4 | Bearing | 1 | H-4709-BEAR | 0000-000657-00 |
| 5a | Loading Bridge (Used up to Serial # E2116209) | 1 | ----- | 1115-200008-00 |
| 5b | Loading Bridge (Used from Serial # E2116210) | 1 | ----- | 1115-200008-0B |
| 6 | Bearing | 1 | ----- | 0000-000668-00 |
| 7 | Round Cover Plate | 1 | H-4709-RCP | 1115-200006-0A |
| 8 | Gear Case | 1 | H-4709-GEAR | 1115-210001-0A |
| 9 | Screw | 3 | ----- | 0000-000665-00 |
| 10 | Transmission Cap | 1 | ----- | 1115-200007-00 |
| 11 | Screw | 8 | H-4709-SC386 | 0000-000386-00 |
| 12 | Washer | 8 | ----- | 0000-000056-00 |
| 13 | Grease Fitting | 1 | H-4709-GRSFQ | 0000-000013-00 |
| 14 | Pin | 2 | ----- | 0000-000704-00 |
| 15 | Gear Box Cap | 1 | H-4709-GCVR | 1115-200001-00 |
| 16 | Clip | 1 | ----- | 0000-000658-00 |
| 17 | Clip | 2 | H-4709-CM15 | 0000-000659-00 |
| 18 | Bearing | 1 | H-4709-BR619 | 0000-000667-00 |
| 19 | Spiral Gear Set (Includes Two Gears) | 1 | H-4709-GK10 | 1115-GSX-10 |
| 20 | Bearing | 1 | H-4709-BR680 | 0000-000680-00 |
| 21 | Spiral Gear Set (Includes Two Gears) | 1 | H-4709-GK20 | 1115-GSX-20 |
| 22 | Key | 1 | H-4709-KY660 | 0000-000660-00 |
| 23 | Screw (Used up to 08-05-2012) | 5 | ----- | 0000-000154-00 |
| 23 | Screw (Used up to 09-05-2012) | 5 | ----- | 0000-000026-00 |
| 24 | Lockwasher | 5 | H-4709-LW159 | 0000-000159-00 |
| 25 | Oil Seal | 1 | H-4709-OSEAL | 0000-000670-00 |
| 26 | Screw | 6 | H-4709-SC661 | 0000-000661-00 |
| 27 | Washer | 6 | H-4709-206 | 0000-000206-00 |
| 28 | Keyway | 2 | H-4709-KEY | 0000-000662-00 |
| 29 | Oil Seal | 1 | H-4709-29 | 0000-000671-00 |
| 30 | Bearing | 2 | H-4709-61824 | 0000-000663-00 |
| 31 | Drive Wheel | 1 | H-4709DW | 1115-220000-00 |

ULINE H-4709
BIG JOE® ELECTRIC
PALLET TRUCK – 3,000 LB

1-800-295-5510
 uline.com

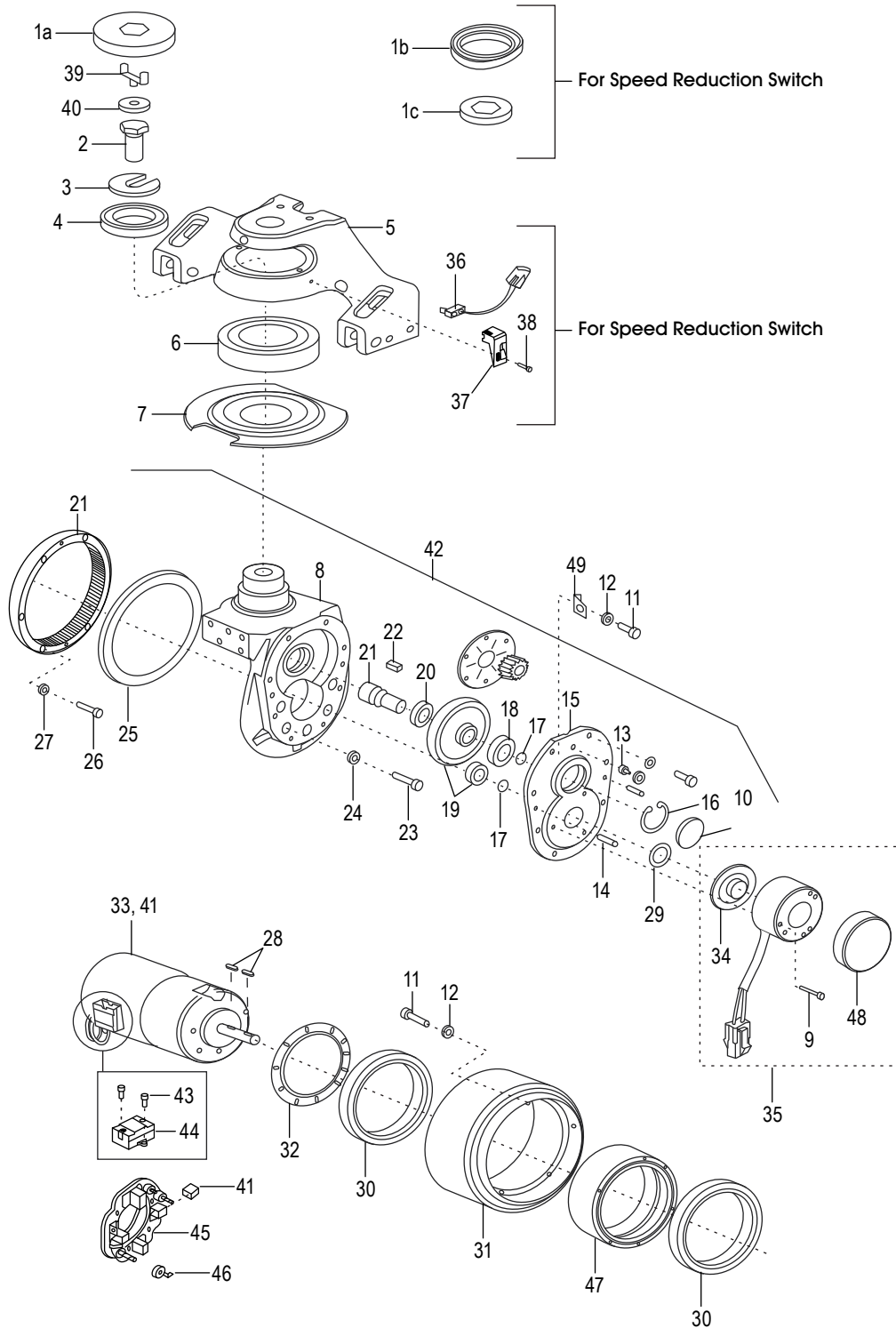
TRANSMISSION / MOTOR BRAKE HOUSING PARTS LIST CONTINUED
 (UP TO SERIAL # 426150000)

| # | DESCRIPTION | QTY. | ULINE PART NO. | MFG. PART NO. |
|----|--|------|----------------|-----------------|
| 32 | Drive Baffle | 1 | H-4709-BAFFL | 1115-200010-00 |
| 33 | Drive Motor (Replaced by 1115-250000-00) | 1 | ----- | 1115-230000-00 |
| 33 | Drive Motor | 1 | H-4709-DMTR | 1115-250000-00 |
| 34 | Brake Disc | 1 | ----- | 1115-240001-00 |
| 35 | Brake Assembly (Replaced by 1115-520012-0A) Includes: • Screw #9 (1) • Brake Disc #34 (1) | 1 | H-4709BASSY | 1115-520012-00 |
| 36 | Speed Reduction Switch and Harness (Only if truck has speed reduction switch) | 1 | ----- | 1115-520018-00 |
| 37 | Mounting Base (Only if truck has speed reduction switch) | 1 | ----- | 1115-700001-00 |
| 38 | Screw M4 x 10 (Only if truck has speed reduction switch) | 2 | ----- | 0000-000701-00 |
| 39 | Wire Guide (Used from 10-25-2012) | 1 | ----- | 1115-500012-00 |
| 40 | M8 Flat Washer | 1 | H-4709-M8FWS | 0000-001007-00 |
| 41 | Brush for Drive Motor (Sold Individually) | 4 | ----- | 1115-230001-00 |
| 41 | Brush for Drive Motor (Used from 09-05-2012) | 4 | ----- | 1115-250001-00 |
| 42 | Drive Unit Assembly (Includes #8-35) | 1 | H-4709-DUA | 1115-200000-00 |
| 43 | Screw | 2 | H-4709-004 | 0000-000004-00 |
| 44 | Terminal Block | 1 | H-4709-TBLCK | 1115-231000-00 |
| 45 | Brush Holder (Used from 09-05-2012) | 1 | ----- | 1115-250003-00 |
| 46 | Spring – Motor Brush (Used from 09-06-2012) | 4 | ----- | 1115-250002-00 |
| | Guide (Not Shown) (Optional if truck has speed reduction switch) | 1 | ----- | 1115-700002-00 |
| | Connecting Piece (Not Shown) (Optional if truck has speed reduction switch) | 1 | ----- | 1115-700003-00 |
| | Clamp (Not Shown) | 1 | H-4709-TNKCL | 1115-560018-00 |
| | Cover Plate (Not Shown) | 1 | H-4709CPLATE | 115BG-500001-00 |

ULINE H-4709
BIG JOE® ELECTRIC
PALLET TRUCK – 3,000 LB

1-800-295-5510
 uline.com

TRANSMISSION / MOTOR BRAKE HOUSING
 (FROM SERIAL # 426150001)



ULINE H-4709
BIG JOE® ELECTRIC
PALLET TRUCK – 3,000 LB

1-800-295-5510
 uline.com

TRANSMISSION / MOTOR BRAKE HOUSING PARTS LIST CONTINUED
 (FROM SERIAL # 426150001)

| # | DESCRIPTION | QTY. | ULINE PART NO. | MFG. PART NO. |
|----|---|------|----------------|----------------|
| 1a | Rubber Washer (Used up to 10-24-2012) | 1 | ----- | 1115-200012-00 |
| 1b | Guide (Optional if truck has Speed Reduction Switch) | 1 | ----- | 1115-700002-00 |
| 1c | Connecting Piece (Optional if truck has Speed Reduction Switch) | 1 | ----- | 1115-700003-00 |
| 2 | Bolt | 1 | ----- | 1115-200011-00 |
| 3 | Plate | 1 | H-4709-PLATE | 1115-200009-0A |
| 4 | Bearing | 1 | H-4709-BEAR | 0000-000657-00 |
| 5 | Loading Bridge | 1 | ----- | 1115-200008-0B |
| 6 | Bearing | 1 | ----- | 0000-000668-00 |
| 7 | Round Cover Plate (Used up to Serial # 4281002525) | 1 | H-4709-RCP | 1115-200006-0A |
| 7 | Round Cover Plate (Used from Serial # 4281002525) | 1 | ----- | 1115-200006-10 |
| 8 | Gear Case | 1 | H-4709-GEAR | 1115-210001-0A |
| 9 | Screw (Used up to Serial # 426200143) | 3 | ----- | 0000-000665-00 |
| 9 | Screw M4 x 45 (Used from Serial # 426200144) | 3 | H-7505-M4X45 | 1115-240003-0A |
| 10 | Transmission Cap | 1 | ----- | 1115-200007-00 |
| 11 | Screw (Used up to Serial # 427211547) | 8 | H-4709-SC386 | 0000-000386-00 |
| 12 | Washer | 8 | ----- | 0000-000056-00 |
| 13 | Grease Fitting | 1 | ----- | 0000-000013-00 |
| 14 | Pin | 2 | ----- | 0000-000704-00 |
| 15 | Gear Box Cap | 1 | H-4709-GCVR | 1115-200001-00 |
| 16 | Clip | 1 | ----- | 0000-000658-00 |
| 17 | Clip | 2 | H-4709-GK10 | 0000-000659-00 |
| 18 | Bearing | 1 | H-4709-BR619 | 0000-000667-00 |
| 19 | Spiral Gear Set (Includes Two Gears) | 1 | H-4709-GK10 | 1115-GSX-10 |
| 20 | Bearing | 1 | H-4709-BR680 | 0000-000680-00 |
| 21 | Spiral Gear Set (Used up to Serial # 427211547) (Includes Two Gears) | 1 | H-4709-GK20 | 1115-GSX-20 |
| 21 | Spiral Gear Set (Used from Serial # 427211548) (Includes Two Gears) | 1 | H-4709-GK2A | 1115-GSX-2A |
| 22 | Brake Assembly Key | 1 | H-4709-KY660 | 0000-000660-00 |
| 23 | Screw | 5 | ----- | 0000-000026-00 |
| 24 | Lock Washer | 5 | H-4709-LW159 | 0000-000159-00 |
| 25 | Oil Seal | 1 | ----- | 0000-001788-00 |
| 26 | Allen Head Cap Screw, M5 x 25 (Used up to Serial # 427211547) | 6 | H-4709-M5X25 | 3020-010000-91 |
| 26 | Allen Head Cap Screw, M5 x 25 (Used from Serial # 427211547) | 6 | ----- | 1115-200021-DO |
| 27 | Washer | 6 | H-4709-206 | 0000-000206-00 |

ULINE H-4709
BIG JOE® ELECTRIC
PALLET TRUCK – 3,000 LB

1-800-295-5510
 uline.com

TRANSMISSION / MOTOR BRAKE HOUSING PARTS LIST CONTINUED
 (FROM SERIAL # 426150001)

| # | DESCRIPTION | QTY. | ULINE PART NO. | MFG. PART NO. |
|----|---|------|----------------|----------------|
| 28 | Keyway | 2 | H-4709-KEY | 0000-000662-00 |
| 29 | Oil Seal | 1 | H-4709-29 | 0000-000671-00 |
| 30 | Bearing | 2 | H-4709-61824 | 0000-000663-00 |
| 31 | Drive Wheel (Replaced by 1115-220000-D0) (Used up to Serial # 427211547) | 1 | H-7515 | 1115-220000-A0 |
| 32 | Drive Baffle | 1 | H-4709-BAFFL | 1115-200010-00 |
| 33 | Drive Motor | 1 | H-4709-DMTR | 1115-250000-00 |
| 34 | Brake Disc | 1 | ----- | 1115-240001-00 |
| 35 | Brake Assembly (Replaced by 1115-520012-0A) (Used up to Serial # 426200143) Includes: • Screw #9 (1) • Brake Disc #34 (1) • Scraper Seal #48 (1) (Used from Serial # 426200144) | 1 | H-4709BASSY | 1115-520012-00 |
| 36 | Speed Reduction Switch and Harness (Optional if truck has speed reduction switch) | 1 | ----- | 1115-520018-00 |
| 37 | Mounting Base (Optional if truck has speed reduction switch) | 1 | ----- | 1115-700001-00 |
| 38 | Screw M4 x 10 (Optional if truck has speed reduction switch) | 2 | ----- | 0000-000701-00 |
| 39 | Wire Guide | 1 | H-4709-WRGD | 1115-500012-00 |
| 40 | M8 Flat Washer | 1 | ----- | 0000-001007-00 |
| 41 | Brushes, Motor Drive | 4 | ----- | 1115-250001-00 |
| 42 | Drive Unit Assembly Includes: • Motor • Wheel • BR (#8-35) | 1 | H-4709-GEAR | 1115-200000-A0 |
| 43 | Screw | 2 | H-4709-004 | 0000-000004-00 |
| 44 | Terminal Block | 1 | H-4709-TBLCK | 1115-231000-00 |
| 45 | Brush Holder | 1 | ----- | 1115-250003-00 |
| 46 | Spring – Motor Brush | 4 | ----- | 1115-250002-00 |
| 47 | Inner Rim (Used up to Serial # 427211547) | 1 | H-4709-IRIM | 1115-200001-A0 |
| 48 | Scraper Seal (Used from Serial # 426200144) | 1 | ----- | 1115-240002-0A |
| 49 | Plate (Used from Serial # 427190827) | 1 | ----- | 1115-200020-00 |

ULINE H-4709
BIG JOE® ELECTRIC
PALLET TRUCK – 3,000 LB

1-800-295-5510
 uline.com

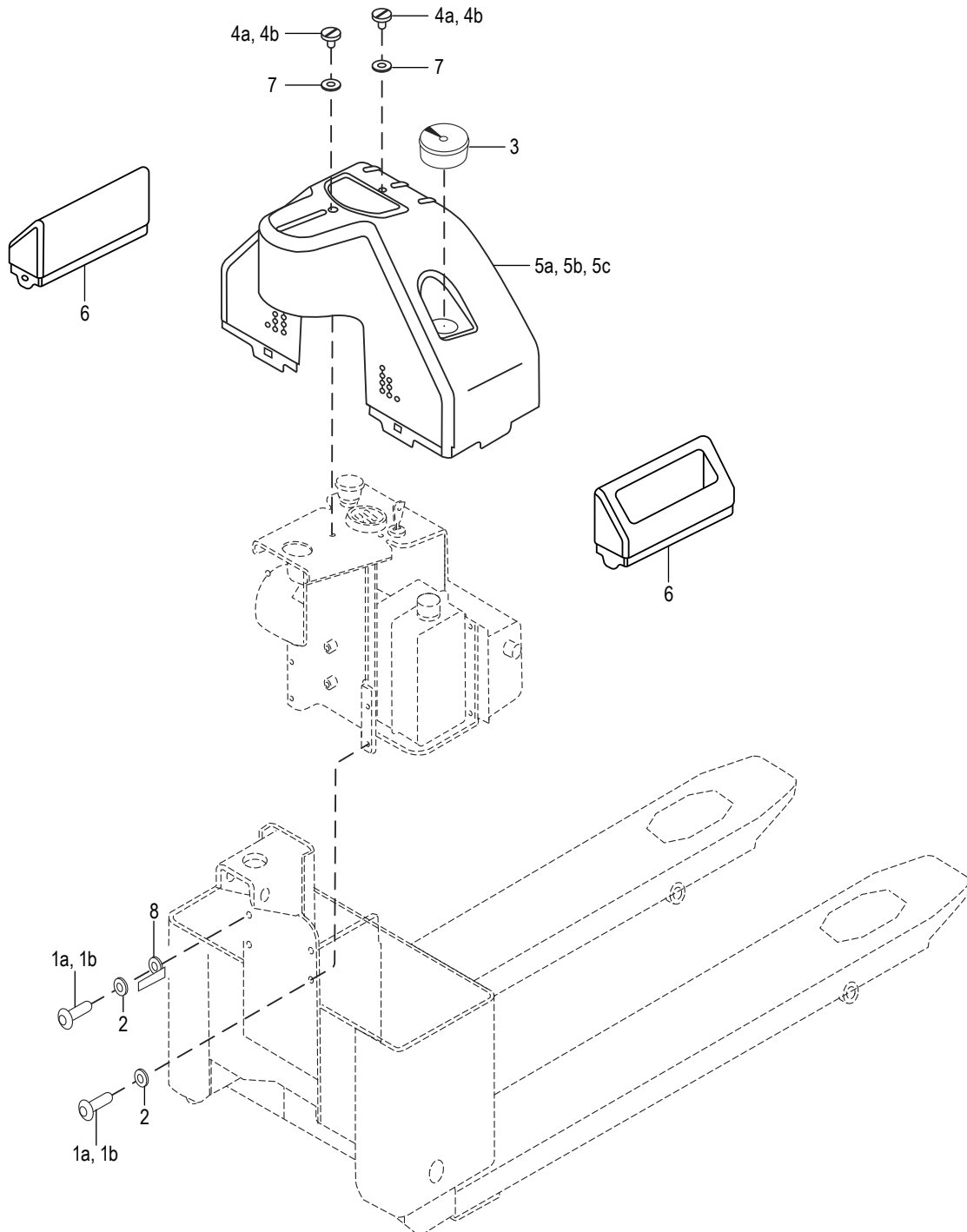
TRANSMISSION / MOTOR BRAKE HOUSING PARTS LIST CONTINUED
 (FROM SERIAL # 426150001)

| # | DESCRIPTION | QTY. | ULINE PART NO. | MFG. PART NO. |
|---|---|------|----------------|----------------|
| | Connecting Piece (Not Shown) (Optional if truck has speed reduction switch) | 1 | ----- | 1115-700003-00 |
| | Screw M6 × 25 (Not Shown) (Used from Serial # 427211548) | 8 | H-4709-M6X25 | 1115-200022-D0 |
| | Screw M6 × 25 (Not Shown) (Used from Serial # 427211548) | 6 | H-4709-M6X25 | 1115-200022-D0 |
| | Driving Wheel (Not Shown) (Used from Serial # 427211548) | 1 | H-4709-DW2 | 1115-220000-D0 |
| | Drive Wheel, Treaded (Not Shown) (Used up to Serial # 427211547) (For Serial # 42615001 and higher) | 1 | ----- | 1115-220000-B0 |
| | Drive Wheel, Treaded (Not Shown) (Used from Serial # 427211548) | 1 | H-7505-DRIVQ | 1115-220000-E0 |
| | Brake Assembly (Not Shown) (Used between Serial # 426200144 - 427190826) | 1 | H-4709BASSY | 1115-520012-0A |
| | Brake Assembly (Not Shown) (Used between Serial # 426200144 - 427190827) | 1 | ----- | 1115-520012-10 |
| | Inner Rim (Not Shown) (Used from Serial # 427211548) | 1 | H-4709-IR | 1115-200001-D0 |

ULINE H-4709
BIG JOE® ELECTRIC
PALLET TRUCK – 3,000 LB

1-800-295-5510
uline.com

COMPARTMENT COVER



ULINE H-4709
BIG JOE® ELECTRIC
PALLET TRUCK – 3,000 LB

1-800-295-5510
 uline.com

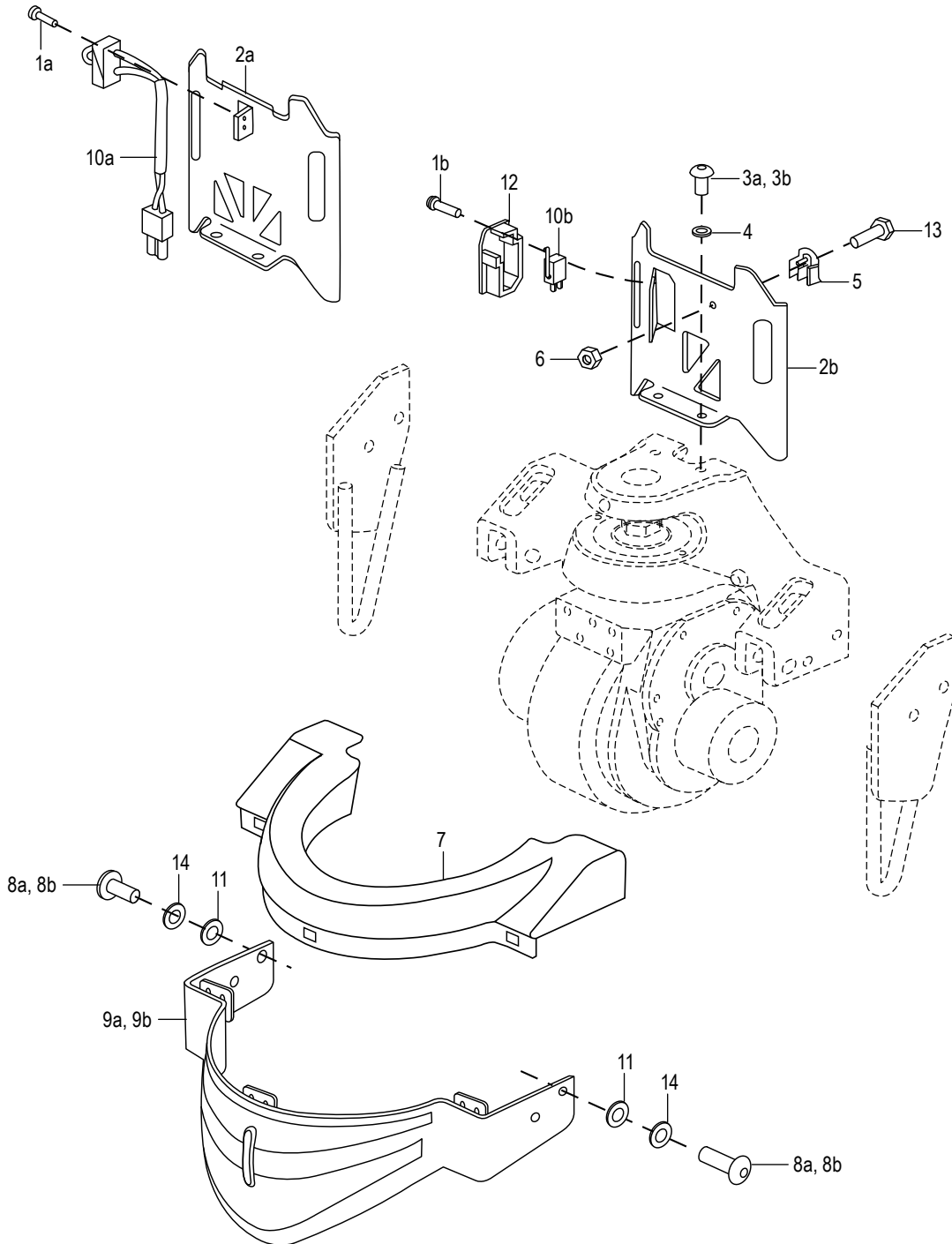
COMPARTMENT COVER PARTS LIST

| # | DESCRIPTION | QTY. | ULINE PART NO. | MFG. PART NO. |
|----|--|------|----------------|-------------------|
| 1a | Screw (Used up to 10-24-2012) | 4 | ----- | 0000-000179-00 |
| 1b | Screw (Used from 10-25-2012) | 4 | H-4709-7700 | 0000-000077-00 |
| 2 | Flat Washer | 4 | H-4709-M6WSH | 0000-000123-00 |
| 3 | Charger Cap | 1 | H-4709CAP | 1115-120002-00 |
| 4a | Screw M6 x 25 (Used up to Serial # 427153083) | 2 | H-4710-SCREW | 1120-150004-00 |
| 4b | Screw M6 x 16 (Used from Serial # 427153083) | 2 | ----- | 1120-150004-00 |
| 5a | Cover – Big Joe Yellow | 1 | H-4709COVER | 1115-120001-00 |
| 5b | Cover – EP Red | 1 | ----- | 1115-120001-00-01 |
| 5c | Cover RAL 2008 ORANGE | 1 | H-4709-02 | 1115-120001-00-02 |
| 6 | Cover (Replaced by 1115-120003-N0) (Used up to Serial # 424191006) | 2 | ----- | 1115-120003-00 |
| 7 | Washer | 2 | H-4710-10WSH | 2214-150002-00 |
| 8 | Wire Clamp (Used from 10-25-2012 and forward) | 1 | ----- | 1115-500013-00 |
| | E30 Side Storage Pocket – Big Joe Yellow (Not Shown) (Used from Serial # 424191007) | 2 | H-4709SCOVER | 1115-120003-n0 |
| | Side Covers – Red (Not Shown) (Used from Serial # 424191006) | 2 | ----- | 1115-120003-00-01 |
| | E30 Side Storage Pocket – Red (Not Shown) (Used from Serial # 424191007) | 2 | ----- | 1115-120003-n0-01 |
| | Cover (Not Shown) (Used from Serial # 424191006) | 2 | ----- | 1115-120003-00-02 |
| | Cover, Storage Pocket RAL 2008 Orange (Not Shown) (Used from Serial # 424191007) | 2 | ----- | 1115-120003-n0-02 |

ULINE H-4709
BIG JOE® ELECTRIC
PALLET TRUCK – 3,000 LB

1-800-295-5510
uline.com

COMPARTMENT
(UP TO SERIAL # 427190907)



ULINE H-4709
BIG JOE® ELECTRIC
PALLET TRUCK – 3,000 LB

1-800-295-5510
 uline.com

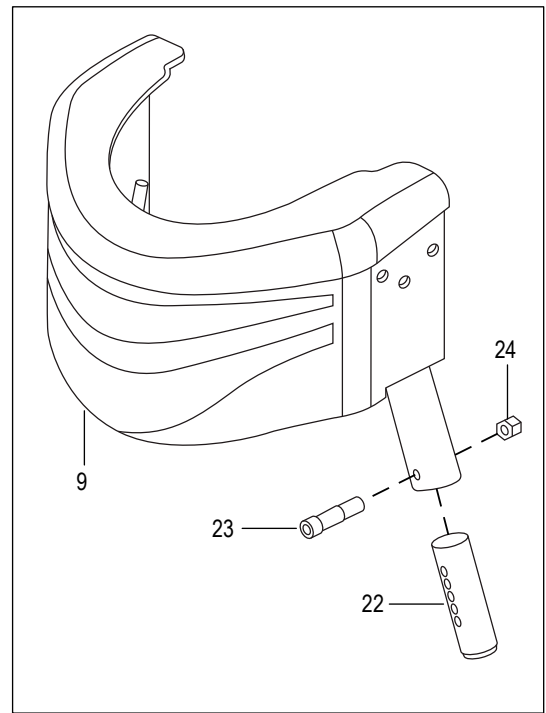
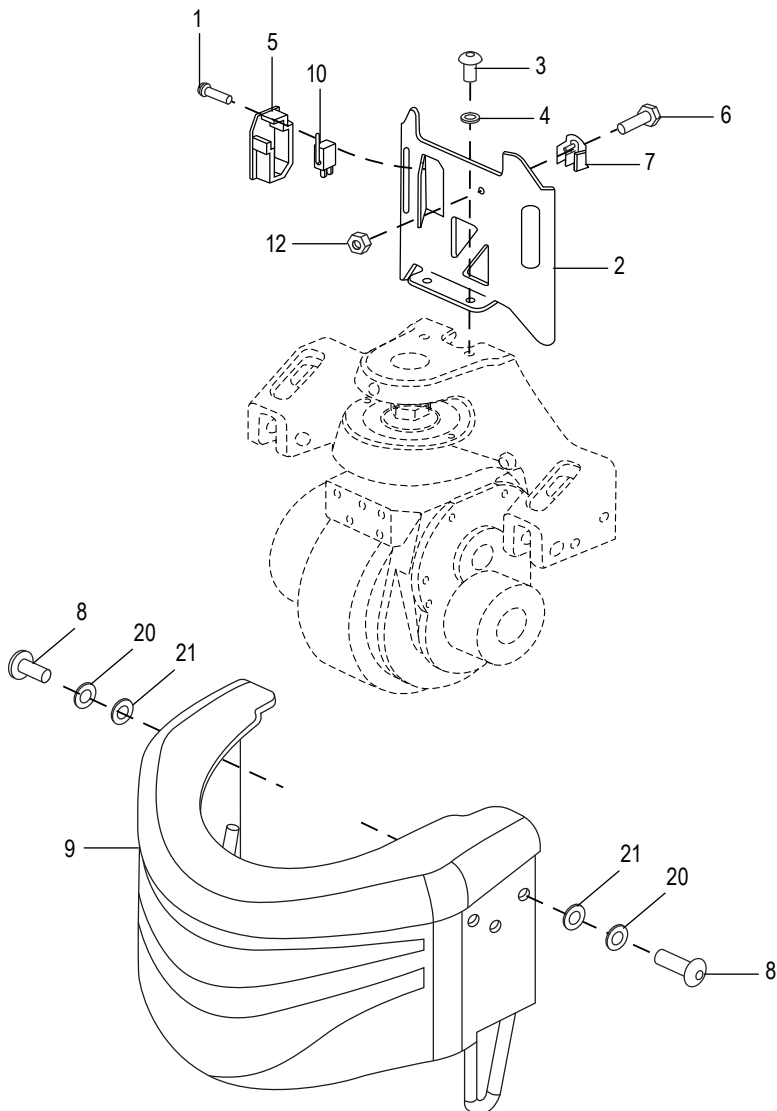
COMPARTMENT PARTS LIST
(UP TO SERIAL # 42719097)

| # | DESCRIPTION | QTY. | ULINE PART NO. | MFG. PART NO. |
|-----|---|------|----------------|----------------|
| 1a | Screw M2 x 12 ST (Used up to Serial # E2120047) | 2 | H-4709-M2X12 | 0000-000989-00 |
| 1b | Screw M3 x 20 (Used from Serial # E2120048) | 2 | ----- | 0000-000981-00 |
| 2a | Bracket (Used up to Serial # E2120047) | 1 | ----- | 1115-540000-00 |
| 2b | Bracket (Used from Serial # E2120048) | 1 | H-4709-PBRKT | 1115-500015-00 |
| 3a | Screw (Used up to 02-01-2012) | 2 | ----- | 0000-000179-00 |
| 3b | Screw (Used up to 02-01-2012) | 2 | H-4709-7700 | 0000-000077-00 |
| 4 | Flat Washer | 2 | H-4709-M6WSH | 0000-000123-00 |
| 5 | Wire Clamp (Used from Serial # E2120048) | 1 | H-4709-WCLMP | 1115-500011-00 |
| 6 | Nut (Used from Serial # E2120048) | 1 | H-4709-NUT | 0000-000923-00 |
| 7 | Cover | 1 | H-4709-BLCVR | 1115-121001-00 |
| 8a | Screw M10 X 25 (Used up to Serial # 424210638) | 6 | ----- | 0000-000655-00 |
| 8b | Screw M10 X 25; Cap Head (Used from Serial # 424210638) | 6 | H-4709M10X25 | 0000-000494-00 |
| 9a | Cover (Replaced by 1115-121100-0A) (Used from Serial # E2221098) | 1 | ----- | 1115-121100-00 |
| 9b | Drive Tire Cover (Used from Serial # E2221099) | 1 | H-4709-TCOWL | 1115-121100-0A |
| 10a | Limit Switch Assembly (Used from Serial # E2120047) | 1 | ----- | 1115-520006-00 |
| 10b | Lift Limit Switch Assembly (Used from Serial # E2120048) | 1 | H-4709SLIMIT | 1115-500017-00 |
| 11 | Flat Washer | 6 | H-4709-FWASH | 0000-000007-00 |
| 12 | Bracket (Used from Serial # E2120048) | 1 | H-4709-CLAMP | 1115-500014-00 |
| 13 | Bolt (Used from Serial # E2120048) | 1 | H-4709-BOLT | 0000-000988-00 |
| 14 | Washer (Used from Serial # E2221099) | 6 | H-4709-19 | 0000-000063-00 |

ULINE H-4709
BIG JOE® ELECTRIC
PALLET TRUCK – 3,000 LB

1-800-295-5510
uline.com

COMPARTMENT CONTINUED
(FROM SERIAL # 427190908)



Optional

ULINE H-4709
BIG JOE® ELECTRIC
PALLET TRUCK – 3,000 LB

1-800-295-5510
 uline.com

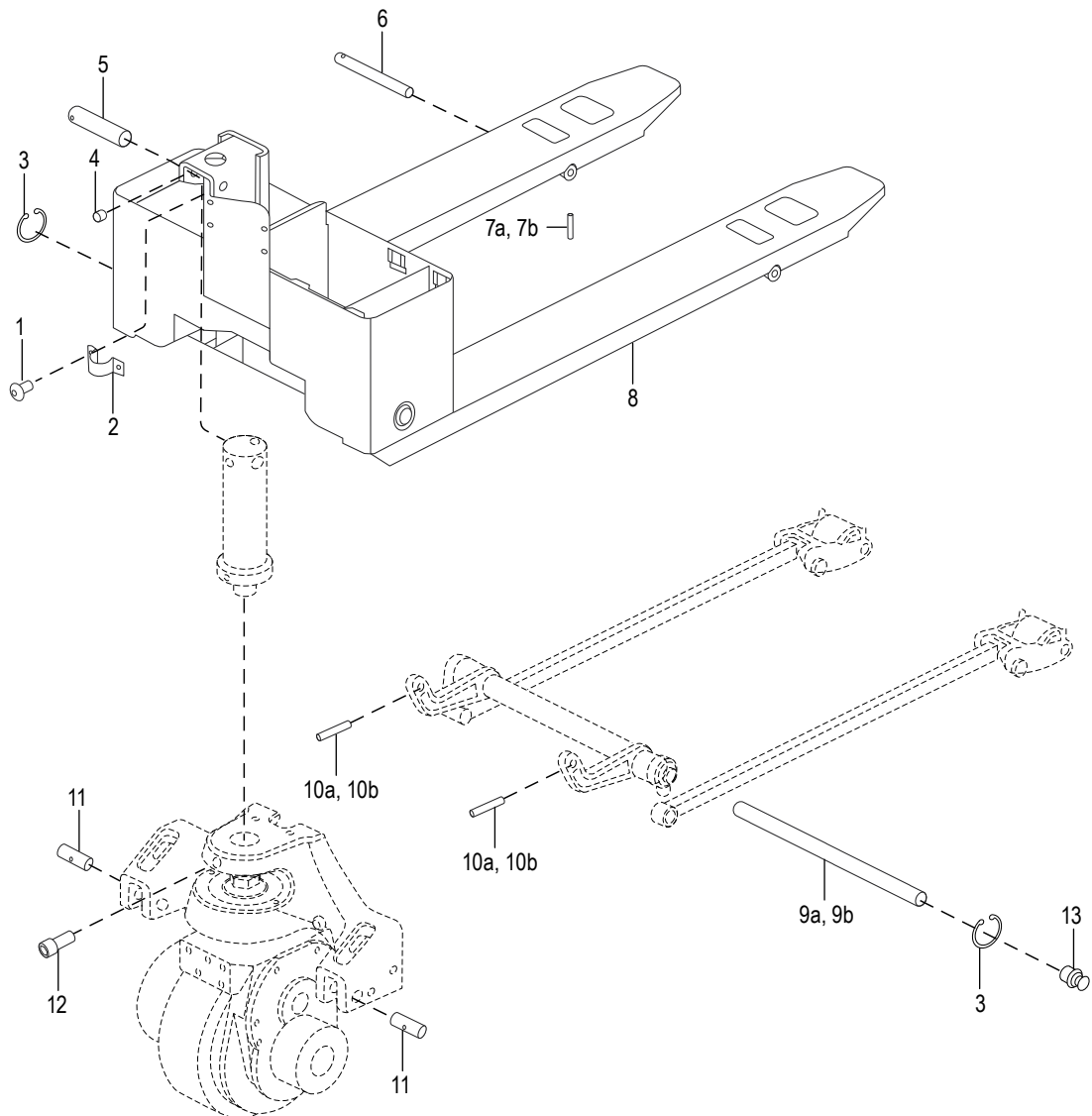
COMPARTMENT PARTS LIST CONTINUED
 (FROM SERIAL # 427190908)

| # | DESCRIPTION | QTY. | ULINE PART NO. | MFG. PART NO. |
|----|---|------|----------------|----------------|
| 1 | Screw, M3 x 20 | 2 | ----- | 0000-000981-00 |
| 2 | Bracket | 1 | H-4709BRACKT | 1115-500015-00 |
| 3 | Screw | 2 | H-4709-7700 | 0000-000077-00 |
| 4 | Flat Washer | 2 | H-4709-M6WSH | 0000-000123-00 |
| 5 | Bracket | 1 | H-4709-CLAMP | 1115-500014-00 |
| 6 | Bolt | 1 | H-4709-BOLT | 0000-000988-00 |
| 7 | Wire Clamp, 2 Cable | 1 | ----- | 1115-500011-0A |
| 8 | Screw | 6 | H-4709-56 | 3020-000000-56 |
| 9 | Lower Cover with Balance Stands | 1 | H-4709-LCBS | 1115-122000-A0 |
| 9 | Lower Cover with UHMW Mount (Optional - Does not include insert or hardware) | 1 | H-4709-D0 | 1115-122000-D0 |
| 10 | Lift Limit Switch Assembly | 1 | H-4709SLIMIT | 1115-500017-00 |
| 12 | Nut | 1 | H-4709-NUT | 0000-000923-00 |
| 20 | Washer | 6 | H-4709-19 | 0000-000063-00 |
| 21 | Flat Washer | 6 | ----- | 0000-000007-00 |
| 22 | Insert for Adjustable Stability Bar (Optional) | 2 | ----- | 1115-140005-K0 |
| 23 | Screw (Optional) | 2 | ----- | 0000-001102-00 |
| 24 | Nut (Optional) | 2 | H-4705-4000 | 0000-000740-00 |
| | Flat Washer (Not Shown) | 2 | ----- | 0000-000373-00 |
| | Washer (Not Shown) | 6 | H-4709-19 | 0000-000630-00 |
| | Caster Assembly (Not Shown) | 2 | ----- | 1115-160000-B0 |

ULINE H-4709
BIG JOE® ELECTRIC
PALLET TRUCK – 3,000 LB

1-800-295-5510
uline.com

FRAME



ULINE H-4709
BIG JOE® ELECTRIC
PALLET TRUCK – 3,000 LB

1-800-295-5510
 uline.com

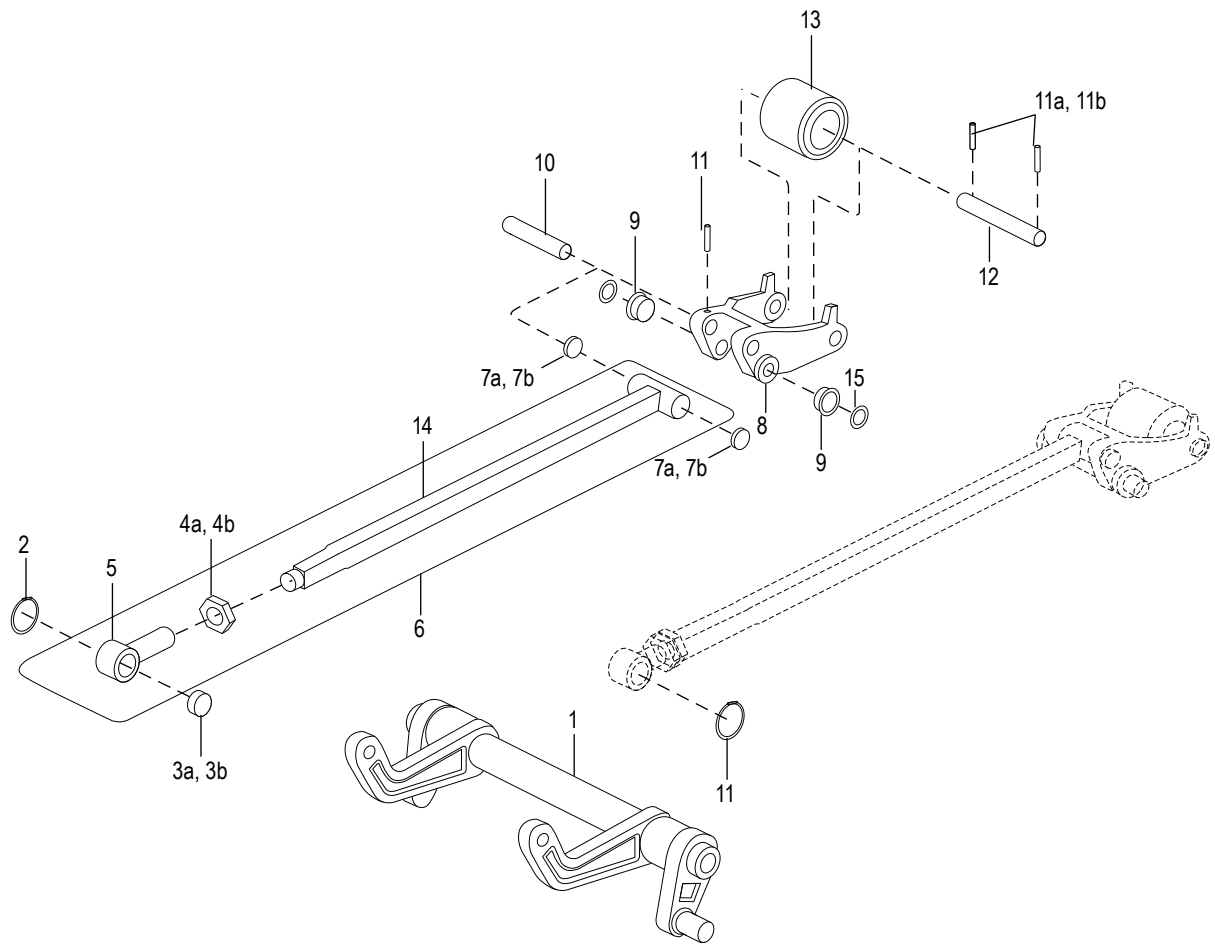
FRAME PARTS LIST

| # | DESCRIPTION | QTY. | ULINE PART NO. | MFG. PART NO. |
|-----|---|------|----------------|-----------------|
| 1 | Screw | 2 | H-4709-3 | 0000-000651-00 |
| 2 | Binding Clip | 1 | ----- | 1115-500002-00 |
| 3 | Clip | 2 | H-4709-CLIP | 0000-000650-00 |
| 4 | Screw | 2 | H-4710-M6X8 | 0000-000016-00 |
| 5 | Lift Cylinder Mounting Pin | 1 | ----- | 1115-400001-00 |
| 6 | Front Pull Rod Shaft | 2 | H-4709-FPRS | 1115-1300004-0A |
| 7a | Roll Pin (Used up to Serial # 424150330) | 2 | H-4709-RPIN | 0000-000708-00 |
| 7b | Spring Type Straight Pin Slotted 5 x 30 (Used from Serial # 424150331) | 2 | H-4709-M5X30 | 0000-001456-00 |
| 8 | Front Frame | 1 | ----- | 1115-110000-40 |
| 9a | Long Support Shaft (Used up to Serial # 427120607) | 1 | H-4709-RPRS | 1115-130002-40 |
| 9b | Rear Pull Rod Shaft E30 (Used from Serial # 427120608) | 1 | ----- | 1115-130002-4B |
| 10a | Round Pin (Used up to Serial # 424150330) | 2 | H-4709-M4XM5 | 0000-000654-00 |
| 10b | Roll Pin M4 x 45 (Used from Serial # 424150331) | 2 | ----- | 0000-001458-00 |
| 11 | Handle Shaft | 2 | H-4709-SHAFT | 1115-130001-00 |
| 12 | Screw (Used up to Serial # E2116209) | 1 | H-4709-SC032 | 0000-000032-00 |
| 12 | Screw (Used from Serial # E2116210) | 1 | H-4709-15500 | 0000-000155-00 |
| 13 | Grease Fitting (Used from Serial # 427120608) | 2 | ----- | 0000-000013-00 |

ULINE H-4709
BIG JOE® ELECTRIC
PALLET TRUCK – 3,000 LB

1-800-295-5510
uline.com

LIFT LINK ASSEMBLY



ULINE H-4709
BIG JOE® ELECTRIC
PALLET TRUCK – 3,000 LB

1-800-295-5510
 uline.com

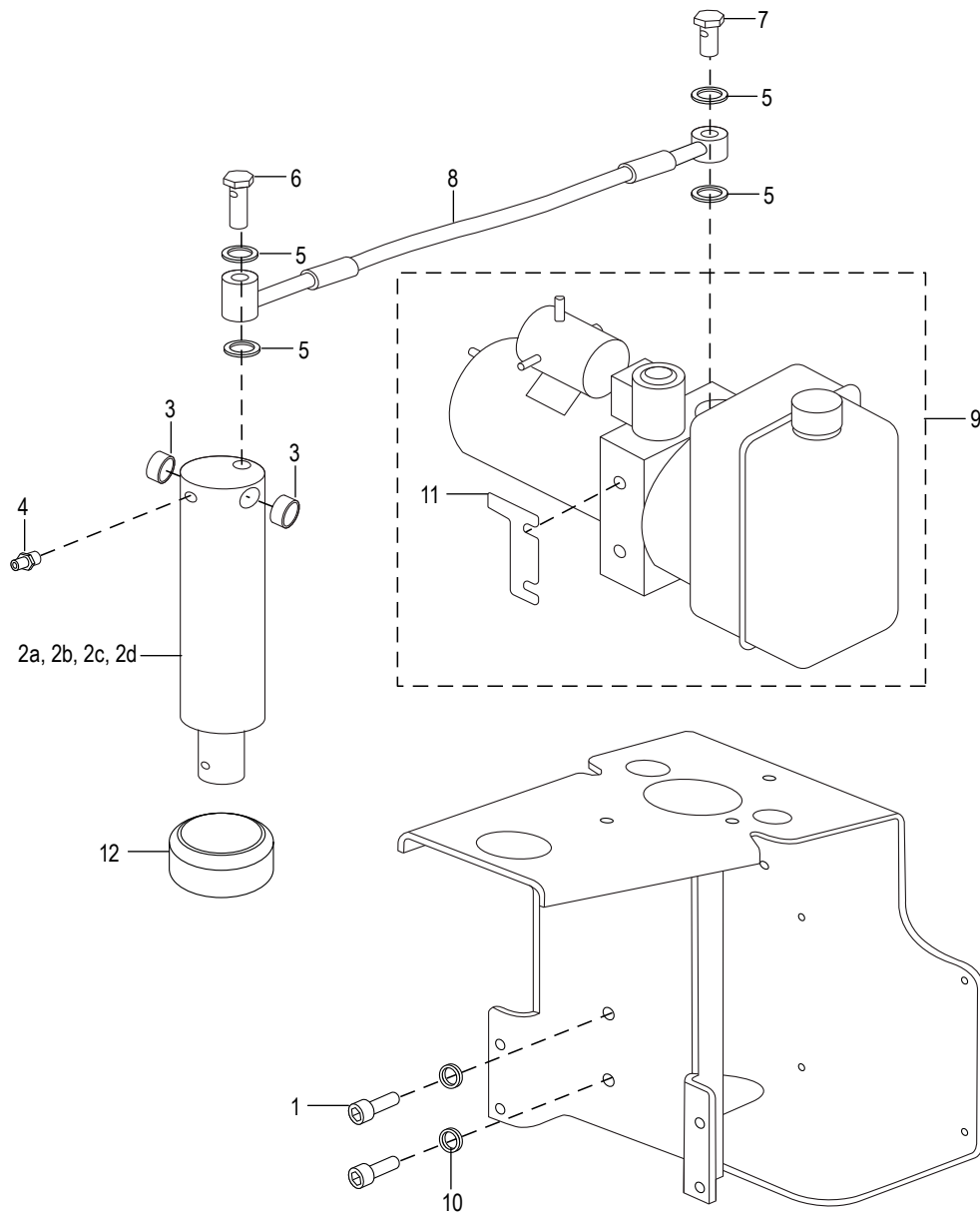
LIFT LINK ASSEMBLY PARTS LIST

| # | DESCRIPTION | QTY. | ULINE PART NO. | MFG. PART NO. |
|-----|---|------|----------------|-------------------|
| 1 | Down Link 30 (27" Fork Width) | 1 | ----- | 1115-131000-40 |
| 2 | Clip | 2 | H-4709-M25Q | 0000-000294-00 |
| 3a | Bushing (Used up to 02-21-2012) | 2 | ----- | 0000-000675-00 |
| 3b | Bushing (Used from 02-22-2012) | 2 | ----- | 0000-000906-00 |
| 4a | Nut (Used up to Serial # 427162916) | 2 | ----- | 0000-000101-00 |
| 4b | Nut (Used from Serial # 427162917) | 2 | ----- | 1121-132010-00 |
| 5 | Connector (Includes Bushing & Nut) | 2 | H-4709-CONN | 1115-132100-00 |
| 6 | Long Link Assembly – 45" Forks | 2 | H-4709-LINK | 1115-132000-0B-04 |
| 7a | Bushing (Used up to 02-21-2012) | 4 | H-4710-B2015 | 0000-000011-00 |
| 7b | Bushing (Used from 02-22-2012) | 4 | H-4709-BSH | 0000-000907-00 |
| 8 | Wheel Bracket | 2 | H-4709WHLBRK | 1115-130005-4A |
| 9 | Bushing | 4 | H-4709-908Q | 0000-000908-00 |
| 10 | Load Wheel Bracket Pivot Shaft | 2 | H-4709LSHAFT | 1115-130003-00 |
| 11a | Roll Pin (Used up to Serial # 424150330) | 4 | H-4709-RPIN | 0000-000708-00 |
| 11b | Spring Type Straight Pin Slotted 5 x 30 (Used from Serial # 424150331) | 4 | H-4709-M5X30 | 0000-001456-00 |
| 12 | Load Wheel Shaft | 2 | H-4709WHLSHF | 1115-130007-40 |
| 13 | Load Wheel Assembly with Bearings | 2 | H-4709LASSY | 1115-133000-40 |
| 14 | Long Rod | 2 | ----- | 1115-132200-00-04 |
| 15 | Washer – Two per 1115-130005-4A Bracket (Used from 11-29-2013) | 1 | H-4709-008Q | 1115-130008-00 |
| | Bearing (Not Shown) | 1 | H-4709BRNG | 0000-000020-00 |

ULINE H-4709
BIG JOE® ELECTRIC
PALLET TRUCK – 3,000 LB

1-800-295-5510
uline.com

HYDRAULIC SYSTEM



ULINE H-4709
BIG JOE® ELECTRIC
PALLET TRUCK – 3,000 LB

1-800-295-5510
 uline.com

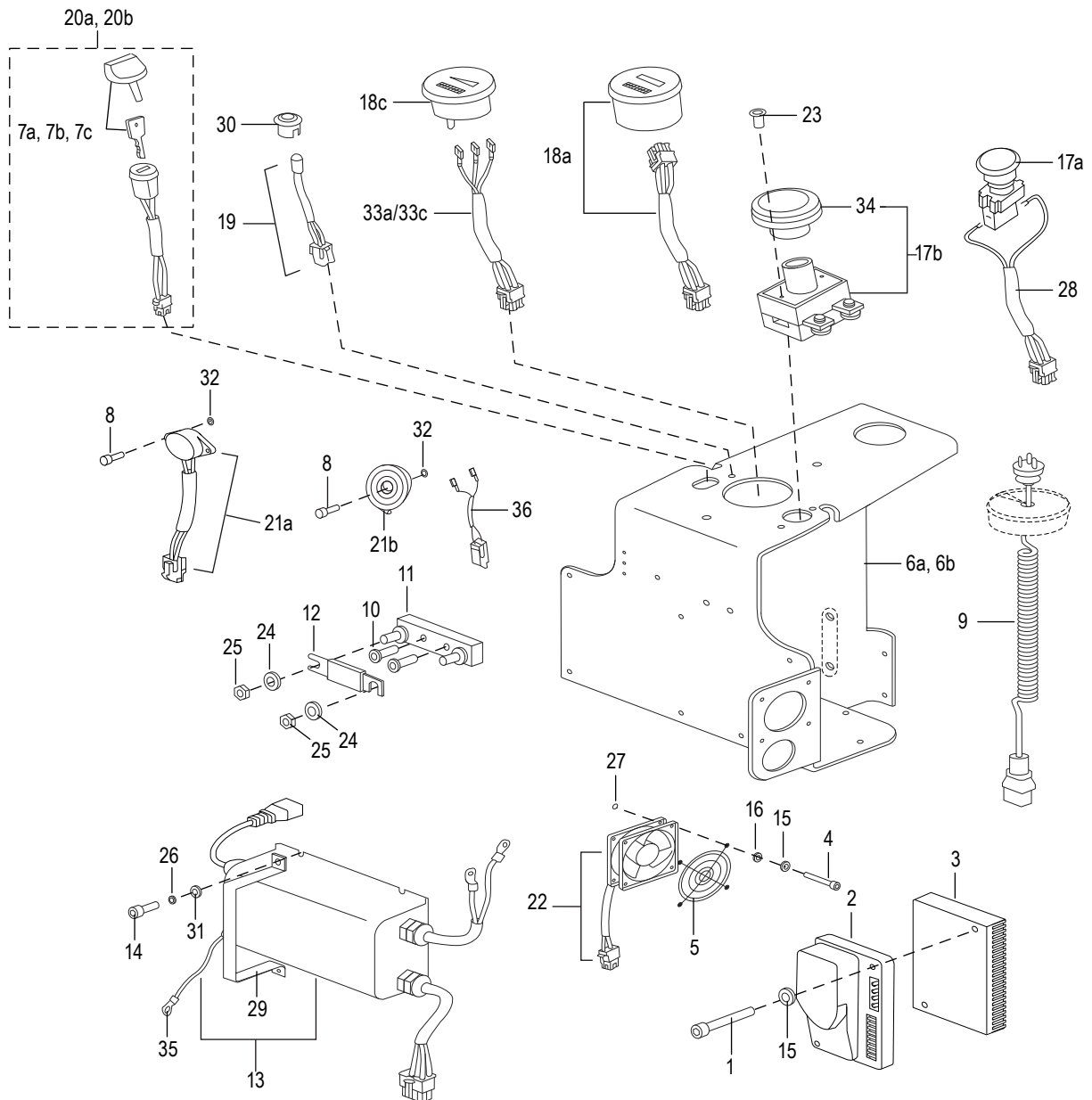
HYDRAULIC SYSTEM PARTS LIST

| # | DESCRIPTION | QTY. | ULINE PART NO. | MFG. PART NO. |
|----|--|------|----------------|----------------|
| 1 | Screw | 2 | ----- | 0000-000109-00 |
| 2a | Lift Cylinder (Used up to Serial # E2017219) | 1 | ----- | 1115-410000-00 |
| 2b | Lift Cylinder (For use with Serial # E2017220 - E2116209) | 1 | ----- | 1115-410000-0A |
| 2c | Lift Cylinder (For use with Serial # E2116210 - 426192437) | 1 | H-4709-LCYL | 1115-410000-0B |
| 2d | Lift Cylinder (Used from Serial # 426192438) | 1 | H-4709-CYLD | 1115-410000-0D |
| 3 | Bushing | 2 | ----- | 0000-000705-00 |
| 4 | Grease Fitting | 1 | ----- | 0000-000013-00 |
| 5 | Seal Washer | 4 | H-4709WASHER | 0000-000044-00 |
| 6 | Bolt | 1 | ----- | 2401-146000-00 |
| 7 | Bolt | 1 | ----- | 2401-143500-00 |
| 8 | Hydraulic Hose | 1 | H-4709HOSE | 1115-420000-00 |
| 9 | Pump and Motor Assembly (Replaced by 1115-430000-0A) Includes: • Pump (1) • Motor (1) | 1 | H-4709-PUMP | 1115-510001-00 |
| 10 | Lock Washer | 2 | H-4709-LW159 | 0000-000159-00 |
| 11 | Shim (Used from Serial # 425190003) | 1 | H-4709-BAFF | 1115-511004-0A |
| 12 | Block (Used from Serial # E21162010) | 1 | H-4708-BLCK | 1115-400002-0B |
| | Pump Motor Solenoid (Not Shown) | 1 | H-4709PMPMTR | 1115-560002-00 |

ULINE H-4709
BIG JOE® ELECTRIC
PALLET TRUCK – 3,000 LB

1-800-295-5510
uline.com

ELECTRICAL SYSTEM



ULINE H-4709
BIG JOE® ELECTRIC
PALLET TRUCK – 3,000 LB

1-800-295-5510
 uline.com

ELECTRICAL SYSTEM PARTS LIST

| # | DESCRIPTION | QTY. | ULINE PART NO. | MFG. PART NO. |
|-----|--|------|----------------|-------------------|
| 1 | Screw | 2 | ----- | 0000-000665-00 |
| 2 | Controller Programmed For E30 | 1 | H-4709-E30 | 1115-510004-00-40 |
| 3 | Heat Sink | 1 | ----- | 1115-510005-0A |
| 4 | Screw | 4 | ----- | 0000-000121-00 |
| 5 | Veil Mat | 1 | ----- | 1115-500007-00 |
| 6a | Bracket (Used up to Serial # 4281000747) | 1 | ----- | 1115-511002-40 |
| 6b | Bracket (Used from Serial # 4281000748) | 1 | ----- | 1115-511000-0C |
| 7a | Three-Way Switch Keys, Set of 2 (Only used on Serial #'s: E2013117, E2013119, E2013120, E2013121, E2013123, E2013124, E2013125, E2013126, E2013127, E2013128, E2013133, E2013142, E2013143, E2014129, E2014131, E2014134, E2014147) | 2 | ----- | 1115-500008-00 |
| 7b | Black Molded Key Set (Replaced by 1120-500016-00) (Used up to Serial # E2120047) | 2 | ----- | 1115-500010-00 |
| 7c | Black Plastic Molded Key – Set of 2 (Used from Serial # Ed2120048) | 2 | H-5031 | 1115-500016-00 |
| 8a | Screw (Used up to Serial # 4281403797) | 2 | ----- | 0000-000666-00 |
| 8b | Screw (Used from Serial # 4281403798) | 2 | H-4709-004 | 0000-000004-00 |
| 9 | Charger Cable | 1 | H-4709CHRCBL | 1115-500006-10 |
| 10 | Screw | 2 | ----- | 0000-000126-00 |
| 11 | Fuse Stand | 1 | H-4709-FHLDR | 1120-540001-00-B |
| 12 | Power Fuse | 1 | H-4709-FUSE | 1115-510003-00 |
| 13 | Charger Assembly 15A | 1 | H-4709CHRGR | 1118-560006-00-01 |
| 14 | Screw | 4 | ----- | 0000-000031-00 |
| 15 | Lock Washer 4 | 6 | H-7505-WASH4 | 0000-000122-00 |
| 16 | Flat Washer 4 | 4 | ----- | 0000-000702-00 |
| 17a | Emergency Stop Switch (Replaced by 1113-500012-01) (Only used on Serial #'s: E2013118, E2013122, E2013189, E2013190, E2013191, E2013192, E2013117, E2013119, E2013120, E2013121, E2013125, E2013128, E2013126, E2013123) | 1 | H-7505-ERSWQ | 3218-604000-00 |
| 17b | Emergency Stop Switch (For all trucks not mentioned in #17) | 1 | H-4779 | 1115-510008-00 |
| 18a | Battery Discharge Indicator Kit (used prior to serial #4311301787) Includes: • Battery Discharge Meter with Hour Meter • BDI Wire Harness | 1 | H-4709-BDIKT | 901851 |
| 18c | Battery Discharge Meter with Hour Meter (used from serial #4311301787) | 1 | H-4710-BIMTR | 2105-500003-00 |
| 19 | LED | 1 | H-4709WHRNSS | 1115-520013-00 |

ULINE H-4709
BIG JOE® ELECTRIC
PALLET TRUCK – 3,000 LB

1-800-295-5510
 uline.com

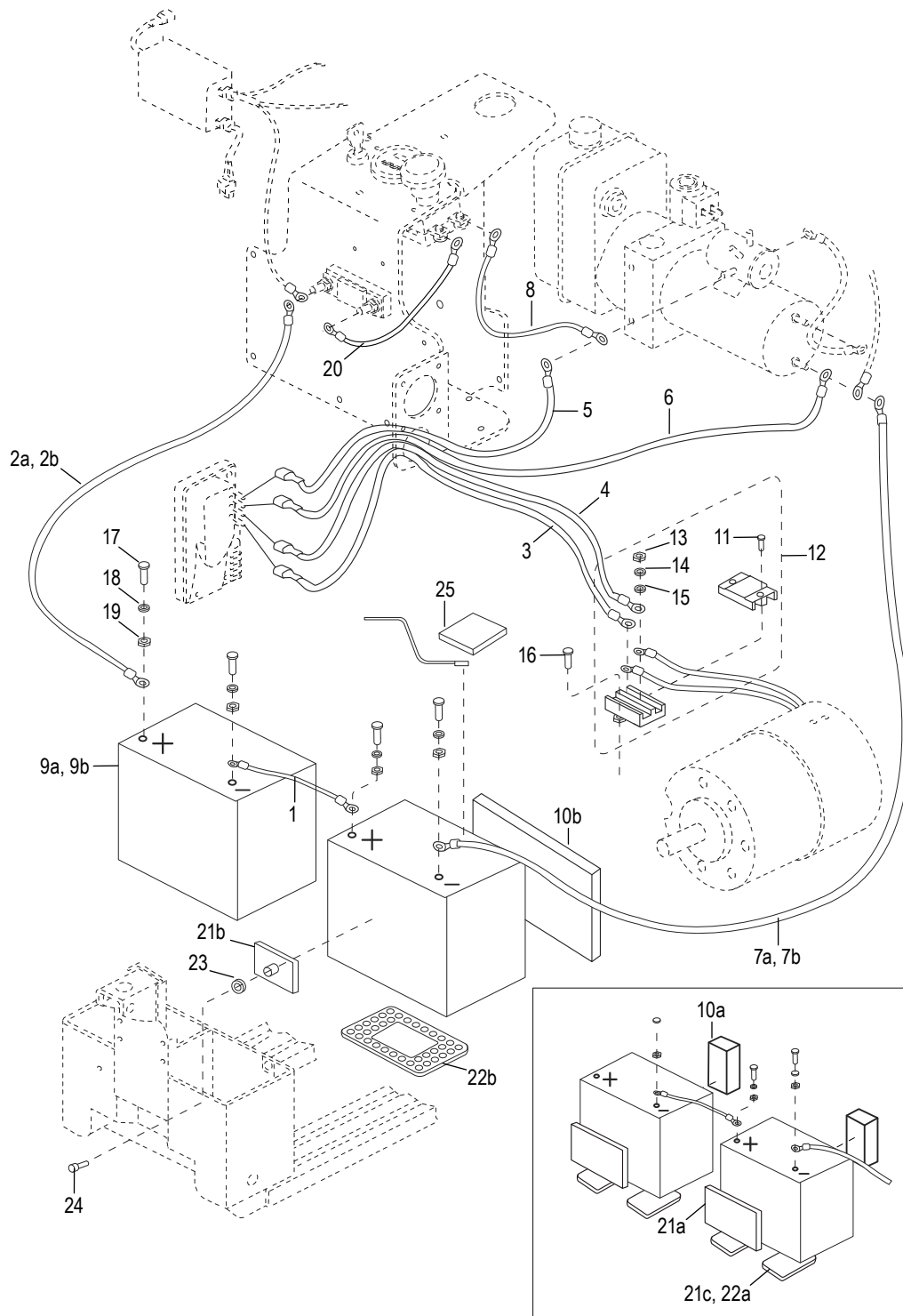
ELECTRICAL SYSTEM PARTS LIST CONTINUED

| # | DESCRIPTION | QTY. | ULINE PART NO. | MFG. PART NO. |
|-----|--|------|----------------|----------------|
| 20a | Three-way Keyswitch Assembly with Two Keys (Only used on Serial #'s: E2013117, E2013119, E2013120, E2013121, E2013123, E2013124, E2013125, E2013126, E2013127, E2013128, E2013133, E2013142, E2013143, E2014129, E2014131, E2014134, E2014147. NOTES: E30 & S22) | 1 | H-4709-SASSQ | 1115-520003-00 |
| 20b | Two-Way Key Switch Assembly (Used up to Serial # E2120047) | 1 | ----- | 1115-520003-0A |
| 20c | Key Switch (Used from Serial # E2120048) | 1 | H-4709KEYSWT | 1115-520019-0A |
| 21a | Buzzer Assembly (Horn) (Used up to Serial # 4281403797) | 1 | H-4709-BZASM | 1115-520015-00 |
| 21b | Horn (Used from Serial # 4281403798) | 1 | H-4710-HORN | 1120-500003-0A |
| 22 | Fan | 1 | H-4709-FAN | 1115-520007-00 |
| 23 | Screw M5 x 10 | 2 | H-4709-22 | 0000-000616-00 |
| 24 | Flat Washer | 2 | H-4709-FW | 0000-000194-00 |
| 25 | Nut | 2 | ----- | 0000-000196-00 |
| 26 | Washer | 4 | H-4709-206 | 0000-000206-00 |
| 27 | O-Ring | 4 | ----- | 0000-001133-00 |
| 28 | Emergency Stop Switch (Use #17) | 1 | ----- | 1115-520011-00 |
| 29 | Charger Bracket (Used from 8-15-2012) | 2 | ----- | 1115-500009-00 |
| 30 | LED Socket | 1 | H-4709SOCKET | 1115-510009-00 |
| 31 | Flat Washer | 4 | H-4709-FW128 | 0000-000128-00 |
| 32 | O-Ring | 2 | ----- | 0000-001134-00 |
| 33a | BDI Wire Harness (Used up to Serial # 431101787) | 1 | H-4709-BDIQ | 1115-520005-0A |
| 33c | BDI Wire Harness (Used from Serial # 431101787) | 1 | H-4709-BDI | 1115-520005-20 |
| 34 | Switch, Button Only | 1 | H-4709BUTTNQ | 1115-510008-10 |
| 35 | Ground Wire (Used from Serial # 426191250) | 1 | ----- | 1115-520021-00 |
| 36 | Horn Wire Harness (Used from Serial # 4281403798) | 1 | ----- | 1115-0000LB-LD |

ULINE H-4709
BIG JOE® ELECTRIC
PALLET TRUCK – 3,000 LB

1-800-295-5510
uline.com

WIRING CABLES



ULINE H-4709
BIG JOE® ELECTRIC
PALLET TRUCK – 3,000 LB

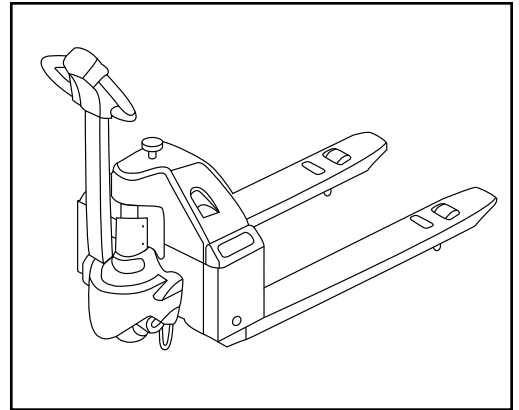
1-800-295-5510
 uline.com

WIRING CABLES PARTS LIST

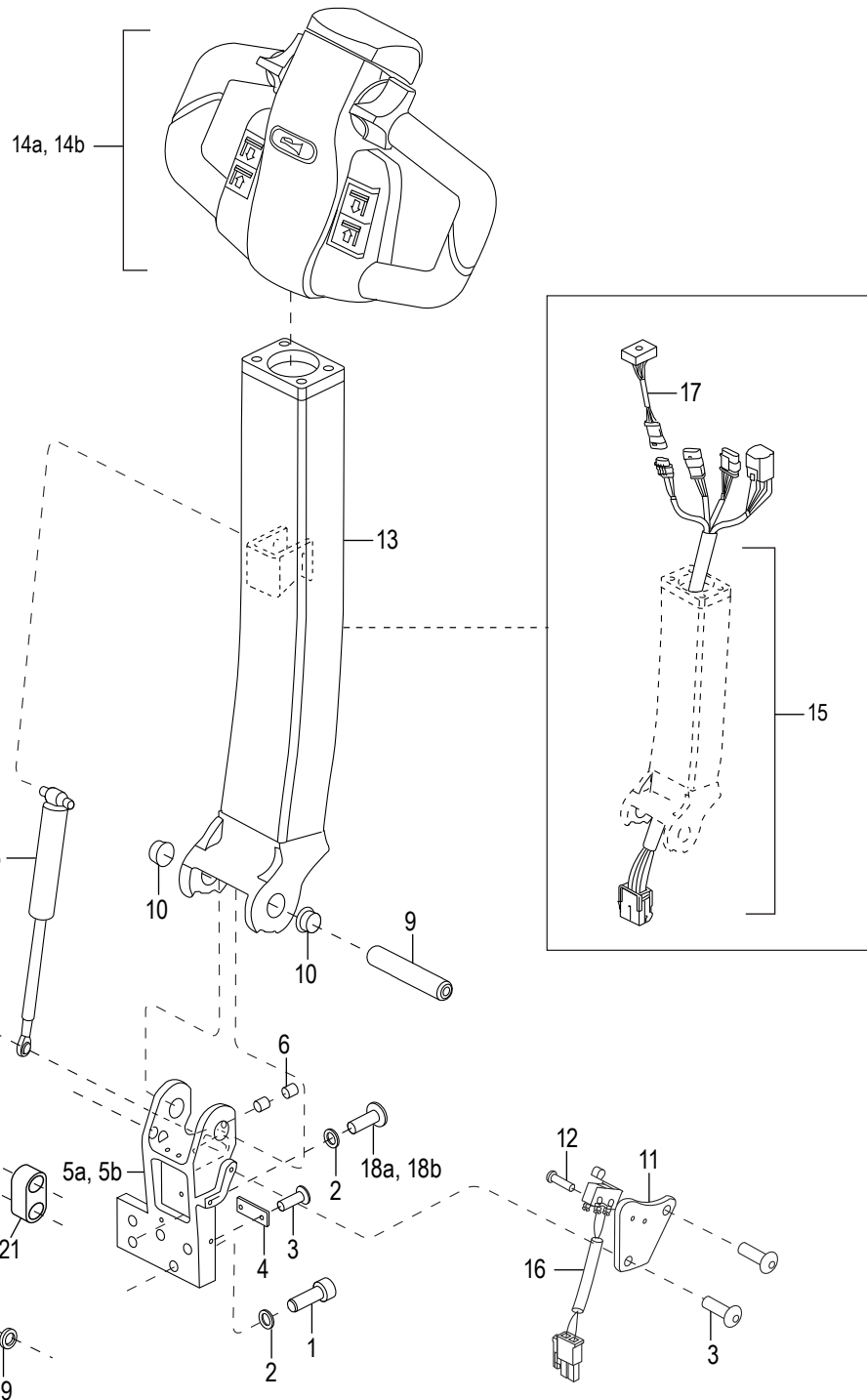
| # | DESCRIPTION | QTY. | ULINE PART NO. | MFG. PART NO. |
|-----|----------------------------|------|----------------|----------------|
| 1 | Battery Connector Cable | 1 | ----- | 1115-530008-00 |
| 2a | Battery Cable (+) | 1 | ----- | 1115-530007-00 |
| 2b | Battery Cable (+) | 1 | H-4709-BC+ | 1115-530007-10 |
| 3 | M2 Cable | 1 | ----- | 1115-530004-00 |
| 4 | M1 Cable | 1 | ----- | 1115-530003-00 |
| 5 | B Cable (+) | 1 | ----- | 1115-530001-00 |
| 6 | B Cable (-) | 1 | ----- | 1115-530002-00 |
| 7a | P Cable (-) | 1 | ----- | 1115-530006-00 |
| 7b | P Cable (-) | 1 | H-4709-006 | 1115-530006-10 |
| 8 | P Cable (+) | 1 | H-4709-005 | 1115-530005-00 |
| 9a | Battery | 2 | ----- | 1115-500005-00 |
| 9b | 12V AGM Battery | 2 | H-5032 | 003231 |
| 10a | EPE Block | 2 | ----- | 1115-100001-00 |
| 10b | EPE Block | 2 | ----- | 1115-100004-F0 |
| 11 | Screw | 2 | ----- | 0000-000646-00 |
| 12 | Terminal Block | 1 | H-4709-TBLCK | 1115-231000-00 |
| 13 | Nut | 2 | ----- | 0000-000108-00 |
| 14 | Washer | 2 | ----- | 0000-000056-00 |
| 15 | Flat Washer | 2 | ----- | 0000-000380-00 |
| 16 | Screw | 2 | H-4709-004 | 0000-000004-00 |
| 17 | Bolt | 4 | ----- | 0000-000277-00 |
| 18 | Lock Washer | 4 | H-4709-LW159 | 0000-000159-00 |
| 19 | Washer | 4 | H-4709-176 | 0000-000176-00 |
| 20 | C3 Cable | 1 | H-4709-C3CBL | 1115-530009-00 |
| 21a | EPE Block | 2 | ----- | 1115-100002-00 |
| 21b | EPE Block II | 2 | ----- | 1115-100002-00 |
| 21c | EPE Block III | 2 | ----- | 1115-100003-00 |
| 22a | Rubber Cushion | 4 | ----- | 2112-410005-00 |
| 22b | Rubber Blanket | 2 | ----- | 1115-100005-00 |
| 23 | Nut | 2 | ----- | 0000-000550-00 |
| 24 | Hex Head Cap Screw M8 x 45 | 2 | ----- | 0000-000917-00 |
| 25 | Temperature Sensor Patch | 1 | ----- | 1115-520020-00 |

ULINE H-4709
BIG JOE® PATÍN
HIDRÁULICO
ELÉCTRICO— 3,000 LB

800-295-5510
uline.mx



BRAZO DE DIRECCIÓN



ULINE H-4709**BIG JOE® PATÍN****HIDRÁULICO****ELÉCTRICO— 3,000 LB**

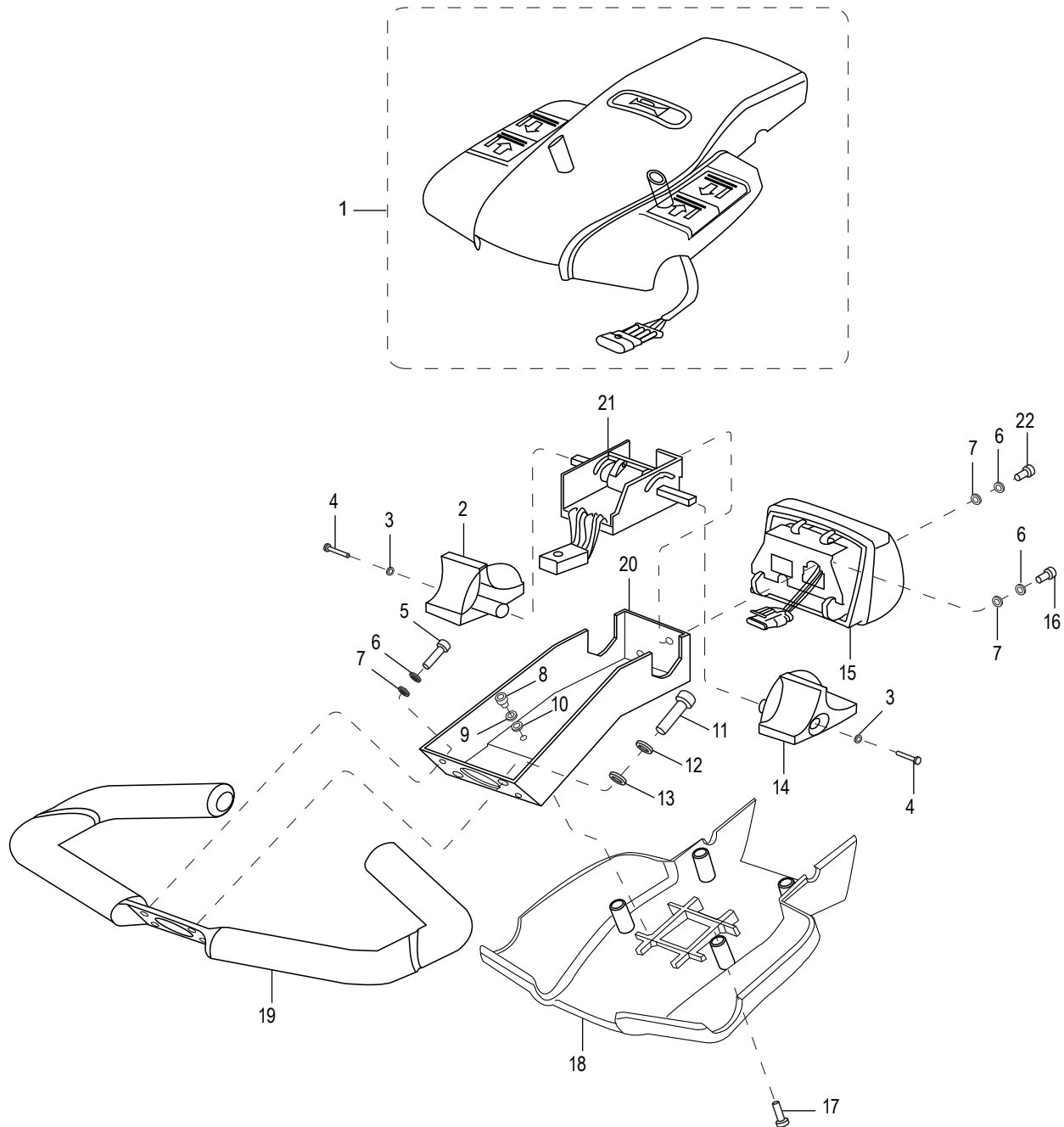
800-295-5510

uline.mx

LISTA DE PARTES DEL BRAZO DE DIRECCIÓN

| # | DESCRIPCIÓN | CANT. | NO. DE PARTE DE ULINE | NO. DE PARTE DEL FABRICANTE |
|-----|--|-------|-----------------------|-----------------------------|
| 1 | Tornillo | 4 | H-4709-SC322 | 0000-000322-00 |
| 2 | Rondana de Seguridad | 5 | H-4709-LW159 | 0000-000159-00 |
| 3 | Tornillo | 4 | H-4709-3 | 0000-000651-00 |
| 4 | Tornillo (Utilizado hasta el No. de Serie E2319735) | 1 | ----- | 1115-500004-00 |
| 5a | Soporte (Utilizado hasta el No. de Serie E2219053) (Reemplaza a 1115-300001-00) | 1 | H-4709-5 | 1115-300001-0A |
| 5b | Soporte (Utilizado desde el No. de Serie E2219054) | 1 | H-4709-BRCKT | 1115-300001-0C |
| 6 | Tornillo, M6 x 6 (Tornillo de Fijación) | 2 | ----- | 0000-001019-00 |
| 7 | Placa (Utilizada hasta el No. de Serie E2219053) | 1 | H-4709-7 | 0000-000030-00 |
| 8 | Pistón | 1 | H-5020 | 1120-320000-00 |
| 9 | Clavija Giratoria del Asa | 1 | H-4709-9 | 1115-300002-00 |
| 10 | Casquillo | 2 | H-4709BUSHNG | 0000-000677-00 |
| 11 | Soporte | 1 | H-4709-11 | 1115-500001-00 |
| 12 | Tornillo M2 x 12 ST | 2 | H-4709-M2X12 | 0000-000989-00 |
| 13 | Ensamble del Brazo del Mango | 1 | H-4709-HNDL | 1115-310000-00 |
| 14a | Ensamble del Cabezal de Control (Utilizado hasta el No. de Serie 427102394) | 1 | H-4709CONTRL | 1115-320000-00 |
| 14b | Ensamble del Cabezal de Control (Utilizado desde el No. de Serie 427102395) | 1 | H-4709-HEAD | 1115-340000-00-70 |
| 15 | Arnés de Cableado | 1 | H-4709WHRNS | 1115-520010-00 |
| 16 | Ensamble del Interruptor "Hombre Muerto" con Arnés de Cableado | 1 | H-4709SWASMB | 1115-520009-0A |
| 17 | Arnés de Cableado del Potenciómetro | 1 | H-4709WREHRN | 1115-520017-00 |
| 18a | Tornillo (Utilizado hasta el No. de Serie 426193482) | 2 | H-4709-SC912 | 0000-000912-00 |
| 18b | Tornillo (Utilizado hasta el No. de Serie E2219053) | 2 | H-4710-M8X25 | 0000-000151-00 |
| 19 | Rondana (Utilizada hasta el No. de Serie E2219053) | 1 | H-4709-19 | 0000-000063-00 |
| 20 | Tornillo M8 x 20 (Utilizado desde el No. de Serie E2219054) | 1 | H-4709-SC101 | 0000-001101-00 |
| 21 | Bloque de Proximidad (Utilizado desde el No. de Serie E2219054) | 1 | H-4709-BLOCK | 1115-300003-00 |
| 22 | Tornillo (Utilizado desde el No. de Serie E2219054) | 1 | H-4709-SC004 | 1115-300004-00 |
| | Soporte del Arnés de Cableado de Impulso (No Se Muestra) | 1 | H-4709DHRNSS | 1115-520002-1F |
| | Arnés de Cableado Principal (No Se Muestra) | 1 | H-4709WIREH | 1115-520001-0C |

CABEZAL DE CONTROL
(HASTA EL NO. DE SERIE 427102394)



ULINE H-4709

800-295-5510

BIG JOE® PATÍN

uline.mx

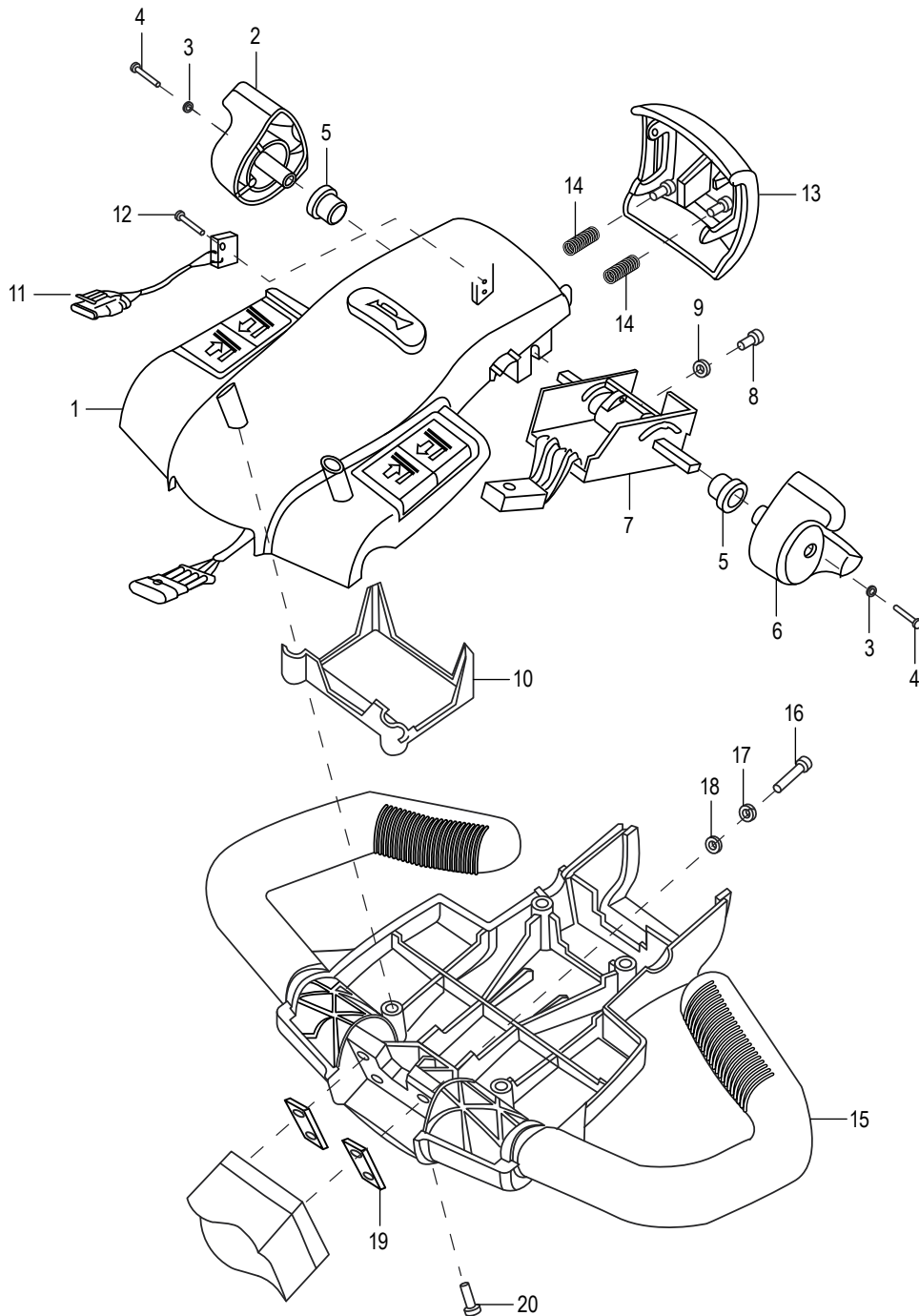
HIDRÁULICO**ELÉCTRICO- 3,000 LB**

LISTA DE PARTES DEL CABEZAL DE CONTROL
(HASTA EL NO. DE SERIE 427102394)

| # | DESCRIPCIÓN | CANT. | NO. DE PARTE DE ULINE | NO. DE PARTE DEL FABRICANTE |
|-----|--|-------|-----------------------|-----------------------------|
| 1 | Ensamble de la Cubierta para el Cabezal de Control con Cableado | 1 | H-4709-21 | 1120-342000-00-B |
| 2 | Perilla de Control del Lado Derecho | 1 | H-5030 | 1120-340005-00 |
| 3 | Rondana | 2 | H-4709-LW038 | 0000-000038-00 |
| 4 | Tornillo M3 x 12 | 2 | H-4709-SC037 | 0000-000037-00 |
| 5 | Tornillo | 2 | H-4709-004 | 0000-000004-00 |
| 6 | Rondana | 4 | H-4709-206 | 0000-000206-00 |
| 7 | Rondana Plana | 4 | H-4709-390 | 0000-000390-00 |
| 8 | Tornillo | 2 | H-4710-M4X8 | 0000-000088-00 |
| 9 | Rondana de Bloqueo 04 | 2 | H-7505-WASH4 | 0000-000122-00 |
| 10 | Rondana Plana 04 | 2 | ----- | 0000-000702-00 |
| 11 | Tornillo | 2 | H-4709-SC322 | 0000-000322-00 |
| 12 | Rondana de Seguridad | 2 | H-4709-LW159 | 0000-000159-00 |
| 13 | Rondana | 2 | H-4709-176 | 0000-000176-00 |
| 14 | Perilla de Control del Lado Izquierdo | 1 | H-5029 | 1120-34003-00 |
| 15 | Ensamble de la Cubierta para el Interruptor de Botón con Arnés de Cableado (Hasta la Serie No. 4271023954) | 1 | H-4778 | 1115-343000-00-B |
| 15a | Ensamble de la Cubierta para el Interruptor de Botón con Arnés de Cableado (Desde la Serie No. 427102395) | 1 | H-4710-COVER | 1115-340003-00 |
| 16 | Tornillo | 1 | H-4709-004 | 0000-000004-00 |
| 17 | Tornillo | 4 | H-4710-M5X20 | 0000-000035-00 |
| 18 | Cubierta | 1 | H-4710-HAND | 1120-340002-00 |
| 19 | Mango | 1 | H-4710-HN341 | 1120-341000-00 |
| 20 | Soporte del Conector | 1 | H-4709-CB | 1120-340001-00 |
| 21 | Acelerador (Reemplazado por 1120-340004-00-01) | 1 | H-5028 | 1120-520008-0C |
| 22 | Tornillo | 1 | ----- | 0000-000010-00 |

CABEZAL DE CONTROL

(DESDE EL NO. DE SERIE 427102395)



ULINE H-4709**BIG JOE® PATÍN****HIDRÁULICO****ELÉCTRICO– 3,000 LB**

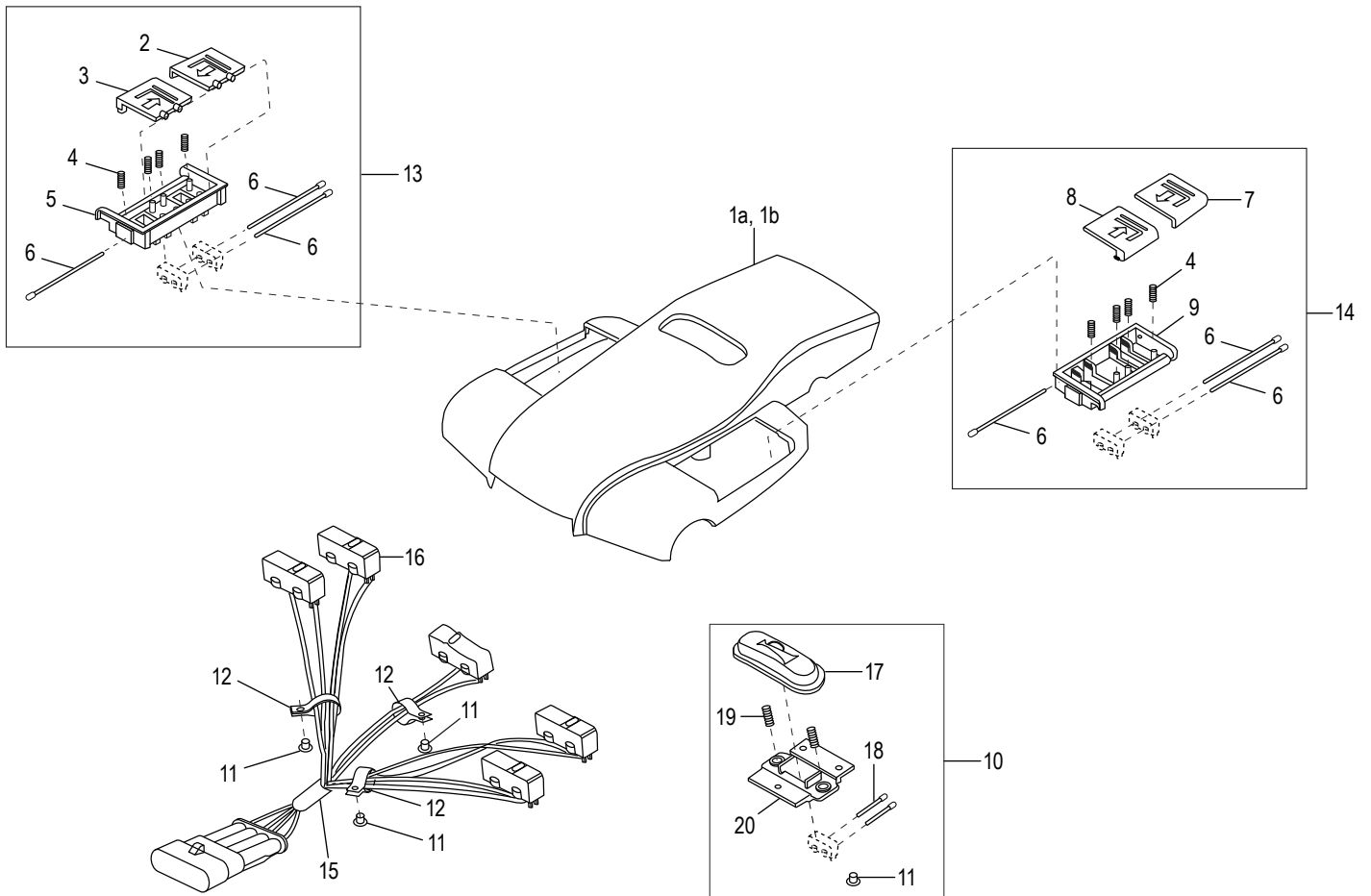
800-295-5510

uline.mx

LISTA DE PARTES DEL CABEZAL DE CONTROL
(HASTA EL NO. DE SERIE 427102395)

| # | DESCRIPCIÓN | CANT. | NO. DE PARTE DE ULINE | NO. DE PARTE DEL FABRICANTE |
|----|---|-------|-----------------------|-----------------------------|
| 1 | Ensamble de la Tapa con Arnés | 1 | H-4710-CAPAS | 1115-341000-00-10 |
| 2 | Perilla de Control del Lado Derecho | 1 | H-4710-RCK | 1115-340005-00 |
| 3 | Rondana | 2 | H-4709-LW038 | 0000-000038-00 |
| 4 | Tornillo M3 x 12 | 2 | H-4709-SC037 | 0000-000037-00 |
| 5 | Casquillo | 2 | ----- | 1115-340006-00 |
| 6 | Perilla de Control del Lado Izquierdo | 1 | H-4710-LCK | 1115-340004-00 |
| 7 | Potenciómetro del Acelerador | 1 | H-5028 | 1220-520008-0C |
| 8 | Perno | 1 | ----- | 0000-000323-00 |
| 9 | Rondana Plana | 1 | H-4709-390 | 0000-000390-00 |
| 10 | Cubierta del Arnés de Cableado | 1 | ----- | 1115-340007-00 |
| 11 | Cable para Interruptor de Reversa | 1 | H-4709-0410 | 1115-52004-10 |
| 12 | Tornillo M2 x 12 ST | 2 | H-4709-M2X12 | 0000-000989-00 |
| 13 | Cubierta, Interruptor de Botón | 1 | H-4710-COVER | 1115-340003-00 |
| 14 | Resorte | 2 | H-4710-0004 | 1121-310004-00 |
| 15 | Cubierta de la Parte Inferior con Agarre (sin orificio) | 1 | H-4710-HAND | 1115-340002-00 |
| 16 | Tornillo | 4 | H-4709-SC322 | 0000-000322-00 |
| 17 | Rondana de Seguridad | 4 | H-4709-LW159 | 0000-000159-00 |
| 18 | Rondana | 4 | H-4709-176 | 0000-000176-00 |
| 19 | Rondana | 2 | H-4709-WCHA | 1115-340001-00 |
| 20 | Tornillo | 4 | H-4710-M5X20 | 0000-000035-00 |

CUBIERTAS DEL CABEZAL DE CONTROL



ULINE H-4709**BIG JOE® PATÍN****HIDRÁULICO****ELÉCTRICO— 3,000 LB**

800-295-5510

uline.mx

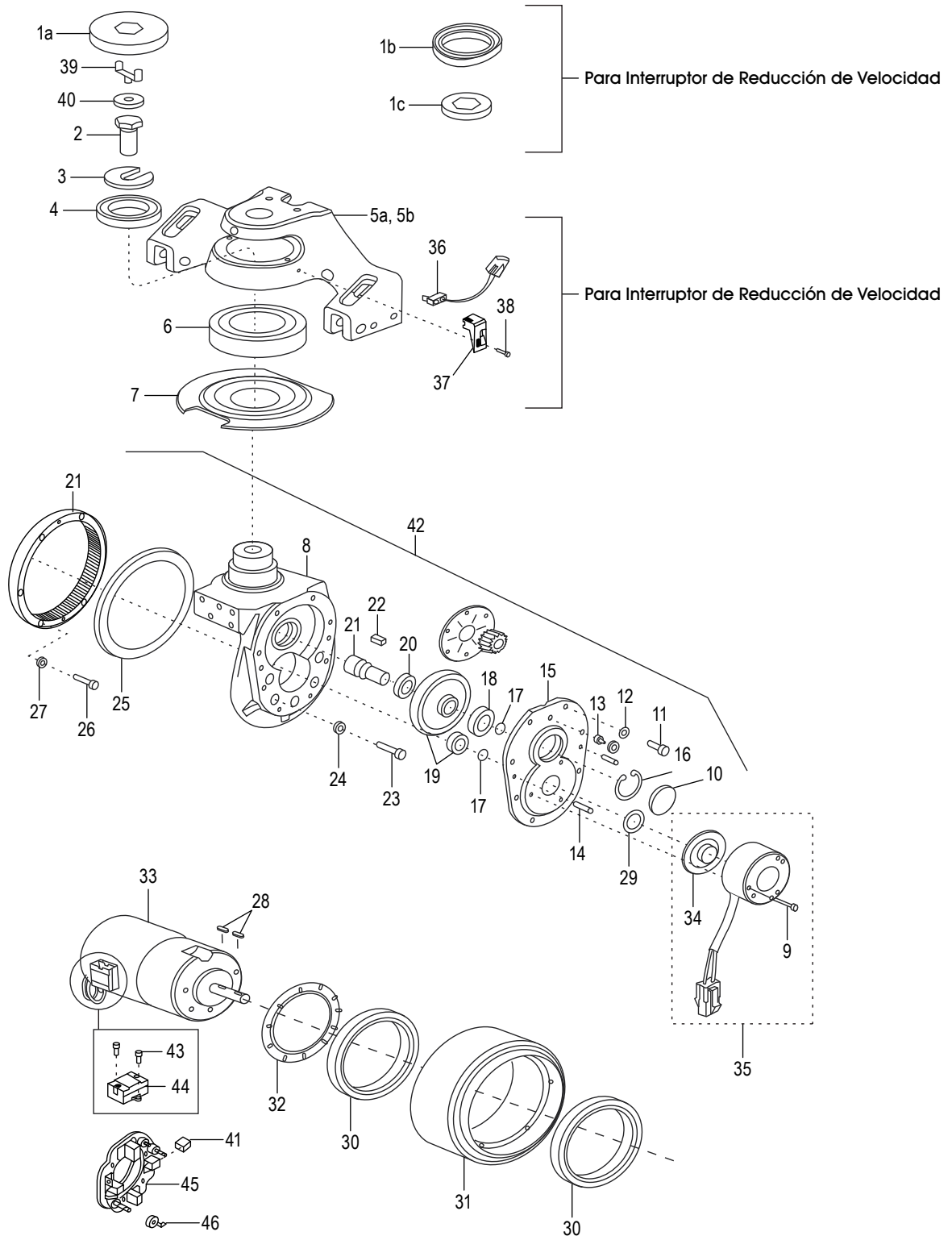
LISTA DE PARTES DE LA CUBIERTA DEL CABEZAL DE CONTROL

| # | DESCRIPCIÓN | CANT. | NO. DE PARTE DE ULINE | NO. DE PARTE DEL FABRICANTE |
|----|---|-------|-----------------------|-----------------------------|
| 1a | Cubierta (Utilizada hasta el No. de Serie 427102394) | 1 | H-4710-UPC | 1120-342001-00 |
| 1b | Cubierta (Utilizada desde el No. de Serie 427102395) | 1 | ----- | 1115-341001-00 |
| 2 | Botón de Elevación (Lado Derecho) | 1 | H-5023 | 1120-342203-00 |
| 3 | Botón de Descenso (Lado Derecho) | 1 | H-5024 | 1120-342202-00 |
| 4 | Resorte | 8 | H-5025 | 1120-342102-00 |
| 5 | Soporte del Botón (Lado Derecho) | 1 | ----- | 1120-342201-00 |
| 6 | Pasador | 6 | ----- | 1120-342105-00 |
| 7 | Botón de Elevación (Lado Izquierdo) | 1 | H-5026 | 1120-342104-00 |
| 8 | Botón de Descenso (Lado Izquierdo) | 1 | H-5027 | 1120-342103-00 |
| 9 | Soporte del Botón (Lado Izquierdo) | 1 | ----- | 1120-342101-00 |
| 10 | Ensamble del Botón del Claxon Incluye: • 1 Tornillo #11 • 1 Botón del Claxon #17 • 2 Clavijas #18 • 2 Resortes #19 | 1 | ----- | 1120-342300-00 |
| 11 | Tornillo | 6 | ----- | 0000-000039-00 |
| 12 | Abrazadera de Línea | 3 | ----- | 0000-000490-00 |
| 13 | Ensamble de la Caja del Interruptor de Elevación/ Descenso (Lado Derecho) (Interruptores no incluidos) Incluye: • 1 Botón de Elevación (Lado Derecho) #2 • 1 Botón de Descenso (Lado Derecho) #3 • 4 Resortes #4 • 1 Soporte de Botón (Lado Derecho) #5 • 3 Clavijas #6 | 1 | H-5022 | 1120-342200-00 |
| 14 | Caja del Interruptor de Elevación/Descenso (Izquierdo) (Interruptores no incluidos) Incluye: • 1 Botón de Elevación (Lado Izquierdo) #7 • 1 Botón de Descenso (Lado Izquierdo) #3 • 4 Resortes #4 • 1 Soporte de Botón (Lado Izquierdo) #9 • 3 Clavijas #6 | 1 | H-5021 | 1120-342100-00 |
| 15 | Ensamble del Microinterruptor del Cabezal de Control y el Arnés | 1 | H-4709-CHSHQ | 1220-52006-0C |
| 16 | Interruptor | 5 | H-4709-MSWQ | 1220-560002-00 |
| 17 | Botón del Claxon | 1 | ----- | 1120-342002-00 |
| 18 | Pasador | 2 | ----- | 1120-342005-00 |
| 19 | Resorte | 2 | ----- | 1120-342003-00 |
| 20 | Soporte del Botón | 1 | ----- | 1120-342004-00 |

ULINE H-4709
BIG JOE® PATÍN
HIDRÁULICO
ELÉCTRICO— 3,000 LB

800-295-5510
 uline.mx

CUBIERTA DE LA TRANSMISIÓN / FRENO DEL MOTOR
 (HASTA EL NO. DE SERIE 426150000)



ULINE H-4709

800-295-5510

BIG JOE® PATÍN

uline.mx

HIDRÁULICO**ELÉCTRICO- 3,000 LB**

**LISTA DE PARTES DE LA CUBIERTA DE LA TRANSMISIÓN / FRENO DEL MOTOR
(HASTA EL NO. DE SERIE 426150000)**

| # | DESCRIPCIÓN | CANT. | NO. DE PARTE DE ULINE | NO. DE PARTE DEL FABRICANTE |
|----|---|-------|-----------------------|-----------------------------|
| 1a | Rondana de Caucho (Utilizada hasta el 24-10-2012) | 1 | ----- | 1115-200012-00 |
| 1b | Guía (Opcional si el patín cuenta con Interruptor de Reducción de Velocidad) | 1 | ----- | 1115-700002-00 |
| 1c | Pieza para Conexión (Opcional si el patín cuenta con Interruptor de Reducción de Velocidad) | 1 | ----- | 1115-700003-00 |
| 2 | Perno | 1 | ----- | 1115-200011-00 |
| 3 | Placa | 1 | H-4709-PLATE | 1115-200009-0A |
| 4 | Balero | 1 | H-4709-BEAR | 0000-000657-00 |
| 5a | Puente de Carga (Utilizado hasta el No. de Serie E2116209) | 1 | ----- | 1115-200008-00 |
| 5b | Puente de Carga (Utilizado desde el No. de Serie E2116210) | 1 | ----- | 1115-200008-0B |
| 6 | Balero | 1 | ----- | 0000-000668-00 |
| 7 | Placa Redonda de Cubierta | 1 | H-4709-RCP | 1115-200006-0A |
| 8 | Caja de Engranés | 1 | H-4709-GEAR | 1115-210001-0A |
| 9 | Tornillo | 3 | ----- | 0000-000665-00 |
| 10 | Cubierta de la Transmisión | 1 | ----- | 1115-200007-00 |
| 11 | Tornillo | 8 | H-4709-SC386 | 0000-000386-00 |
| 12 | Rondana | 8 | ----- | 0000-000056-00 |
| 13 | Engrasador | 1 | H-4709-GRSFQ | 0000-000013-00 |
| 14 | Pasador | 2 | ----- | 0000-000704-00 |
| 15 | Cubierta de la Caja de Engranés | 1 | H-4709-GCVR | 1115-200001-00 |
| 16 | Clip | 1 | ----- | 0000-000658-00 |
| 17 | Clip | 2 | H-4709-CM15 | 0000-000659-00 |
| 18 | Balero | 1 | H-4709-BR619 | 0000-000667-00 |
| 19 | Set de Engrane en Espiral (Incluye Dos Engranés) | 1 | H-4709-GK10 | 1115-GSX-10 |
| 20 | Balero | 1 | H-4709-BR680 | 0000-000680-00 |
| 21 | Set de Engrane en Espiral (Incluye Dos Engranés) | 1 | H-4709-GK20 | 1115-GSX-20 |
| 22 | Llave | 1 | H-4709-KY660 | 0000-000660-00 |
| 23 | Tornillo (Utilizado hasta el 05-08-2012) | 5 | ----- | 0000-000154-00 |
| 23 | Tornillo (Utilizado hasta el 05-09-2012) | 5 | ----- | 0000-000026-00 |
| 24 | Rondana de Seguridad | 5 | H-4709-LW159 | 0000-000159-00 |
| 25 | Sello para Aceite | 1 | H-4709-OSEAL | 0000-000670-00 |
| 26 | Tornillo | 6 | H-4709-SC661 | 0000-000661-00 |
| 27 | Rondana | 6 | H-4709-206 | 0000-000206-00 |
| 28 | Chavetero | 2 | H-4709-KEY | 0000-000662-00 |
| 29 | Sello para Aceite | 1 | H-4709-29 | 0000-000671-00 |
| 30 | Balero | 2 | H-4709-61824 | 0000-000663-00 |
| 31 | Llanta de Transmisión | 1 | H-4709DW | 1115-220000-00 |

ULINE H-4709**BIG JOE® PATÍN****HIDRÁULICO****ELÉCTRICO– 3,000 LB**

800-295-5510

uline.mx

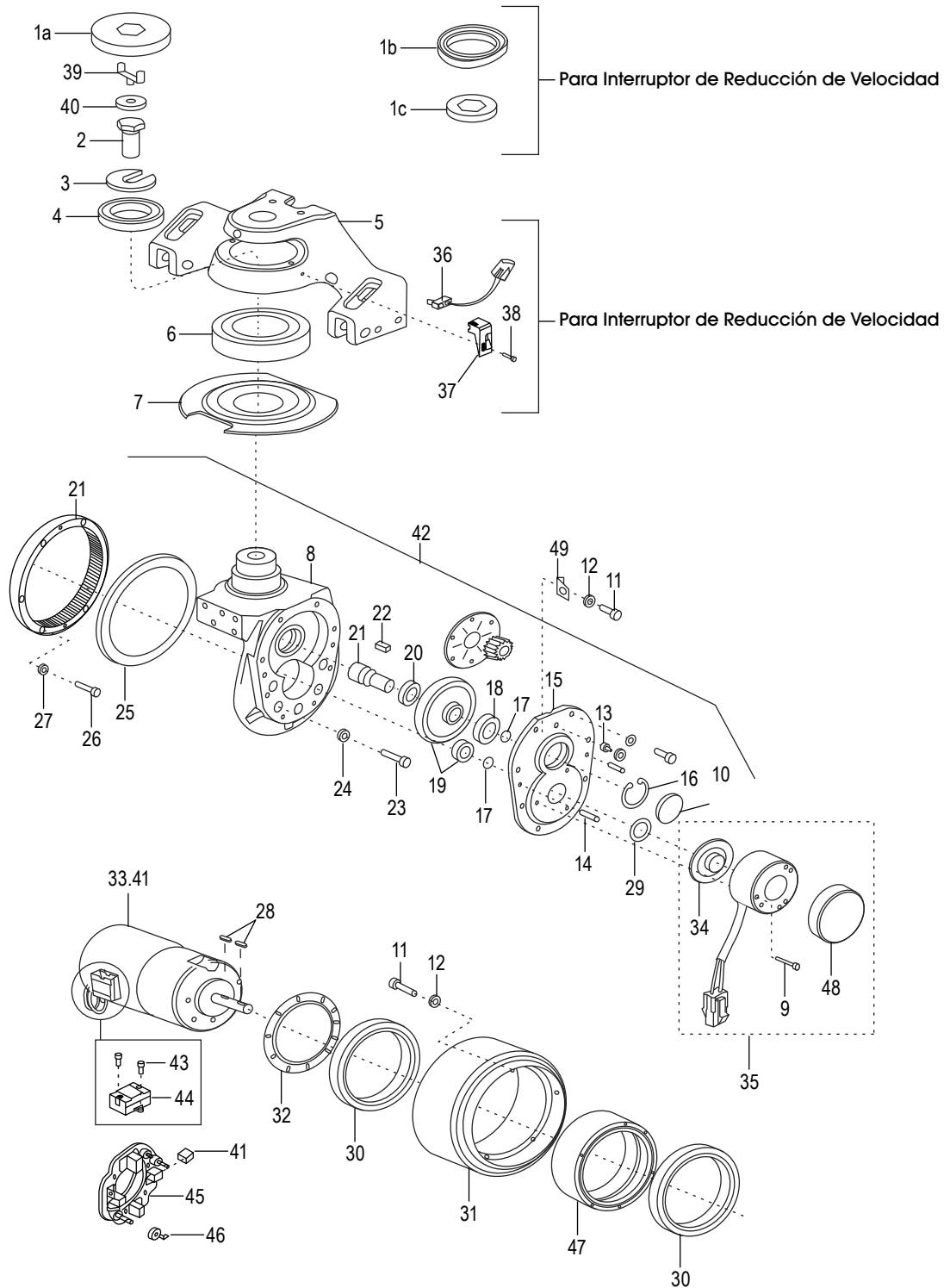
CONTINUACIÓN DE LISTA DE PARTES DE LA CUBIERTA DE LA TRANSMISIÓN / FRENO DEL MOTOR
(HASTA EL NO. DE SERIE 426150000)

| # | DESCRIPCIÓN | CANT. | NO. DE PARTE DE ULINE | NO. DE PARTE DEL FABRICANTE |
|----|---|-------|-----------------------|-----------------------------|
| 32 | Deflector de Transmisión | 1 | H-4709-BAFFL | 1115-200010-00 |
| 33 | Motor del Transmisor (Reemplazado por 1115-250000-00) | 1 | ----- | 1115-230000-00 |
| 33 | Motor de Propulsión | 1 | H-4709-DMTR | 1115-250000-00 |
| 34 | Disco de Freno | 1 | ----- | 1115-240001-00 |
| 35 | Ensamble del Freno (Reemplazado por 1115-520012-0A) Incluye • 1 Tornillo #9 • 1 Disco de Freno #34 | 1 | H-4709BASSY | 1115-520012-00 |
| 36 | Interruptor de Reducción de Velocidad y Arnés (Solo si el patín cuenta con interruptor de reducción de velocidad) | 1 | ----- | 1115-520018-00 |
| 37 | Base de Instalación (Solo si el patín cuenta con interruptor de reducción de velocidad) | 1 | ----- | 1115-700001-00 |
| 38 | Tornillo M4 x 10 (Solo si el patín cuenta con interruptor de reducción de velocidad) | 2 | ----- | 0000-000701-00 |
| 39 | Guía para Cable (Utilizada desde el 25-10-2012) | 1 | ----- | 1115-500012-00 |
| 40 | Rondana Plana M8 | 1 | H-4709-M8FWS | 0000-001007-00 |
| 41 | Cepillo para Motor de Propulsión (Se Vende Individualmente) | 4 | ----- | 1115-230001-00 |
| 41 | Cepillo para Motor de Propulsión (Utilizado desde el 05-09-2012) | 4 | ----- | 1115-250001-00 |
| 42 | Ensamble de la Unidad de Propulsión (Incluye #8-35) | 1 | H-4709-DUA | 1115-200000-00 |
| 43 | Tornillo | 2 | H-4709-004 | 0000-000004-00 |
| 44 | Recuadro de Terminales | 1 | H-4709-TBLCK | 1115-231000-00 |
| 45 | Portacepillo (Utilizado desde el 05-09-2012) | 1 | ----- | 1115-250003-00 |
| 46 | Resorte – Cepillo del Motor (Utilizado desde el 06-09-2012) | 4 | ----- | 1115-250002-00 |
| | Guía (No Se Muestra) (Opcional si el patín cuenta con interruptor de reducción de velocidad) | 1 | ----- | 1115-700002-00 |
| | Pieza para Conexión (No Se Muestra) (Opcional si el patín cuenta con interruptor de reducción de velocidad) | 1 | ----- | 1115-700003-00 |
| | Abrazadera (No Se Muestra) | 1 | H-4709-TNKCL | 1115-560018-00 |
| | Placa de la Cubierta (No Se Muestra) | 1 | H-4709CPLATE | 115BG-500001-00 |

ULINE H-4709
BIG JOE® PATÍN
HIDRÁULICO
ELÉCTRICO— 3,000 LB

800-295-5510
 uline.mx

CUBIERTA DE LA TRANSMISIÓN / FRENO DEL MOTOR
 (HASTA EL NO. DE SERIE 426150001)



**CONTINUACIÓN DE LISTA DE PARTES DE LA CUBIERTA DE TRANSMISIÓN / FRENO DEL MOTOR
(HASTA EL NO. DE SERIE 426150001)**

| # | DESCRIPCIÓN | CANT. | NO. DE PARTE DE ULINE | NO. DE PARTE DEL FABRICANTE |
|-----|---|-------|-----------------------|-----------------------------|
| 1a | Rondana de Caucho (Utilizada hasta el 24-10-2012) | 1 | ----- | 1115-200012-00 |
| 1b | Guía (Opcional si el patín cuenta con Interruptor de Reducción de Velocidad) | 1 | ----- | 1115-700002-00 |
| 1c | Pieza para Conexión (Opcional si el patín cuenta con Interruptor de Reducción de Velocidad) | 1 | ----- | 1115-700003-00 |
| 2 | Perno | 1 | ----- | 1115-200011-00 |
| 3 | Placa | 1 | H-4709-PLATE | 1115-200009-0A |
| 4 | Balero | 1 | H-4709-BEAR | 0000-000657-00 |
| 5 | Puente de Carga | 1 | ----- | 1115-200008-0B |
| 6 | Balero | 1 | ----- | 0000-000668-00 |
| 7a | Placa de Cubierta Redonda (Utilizado hasta el No. de Serie 4281002525) | 1 | H-4709-RCP | 1115-200006-0A |
| 7b | Placa de Cubierta Redonda (Utilizado desde el No. de Serie 4281002525) | 1 | ----- | 1115-200006-10 |
| 8 | Caja de Engranés | 1 | H-4709-GEAR | 1115-210001-0A |
| 9 | Tornillo (Utilizado hasta el No. de Serie 426200143) | 3 | ----- | 0000-000665-00 |
| 9 | Tornillo M4 x 45 (Utilizado desde el No. de Serie 426200144) | 3 | H-7505-M4X45 | 1115-240003-0A |
| 10 | Cubierta de la Transmisión | 1 | ----- | 1115-200007-00 |
| 11 | Tornillo (Utilizado hasta el No. de Serie 427211547) | 8 | H-4709-SC386 | 0000-000386-00 |
| 12 | Rondana | 8 | ----- | 0000-000056-00 |
| 13 | Engrasador | 1 | ----- | 0000-000013-00 |
| 14 | Pasador | 2 | ----- | 0000-000704-00 |
| 15 | Cubierta de la Caja de Engranés | 1 | H-4709-GCVR | 1115-200001-00 |
| 16 | Clip | 1 | ----- | 0000-000658-00 |
| 17 | Clip | 2 | H-4709-GK10 | 0000-000659-00 |
| 18 | Balero | 1 | H-4709-BR619 | 0000-000667-00 |
| 19 | Set de Engrane en Espiral (Incluye Dos Engranés) | 1 | H-4709-GK10 | 1115-GSX-10 |
| 20 | Balero | 1 | H-4709-BR680 | 0000-000680-00 |
| 21 | Set de Engrane en Espiral (Utilizada hasta el No. de Serie #427211547) (Incluye Dos Engranés) | 1 | H-4709-GK20 | 1115-GSX-20 |
| 21 | Set de Engrane en Espiral (Utilizada hasta el No. de Serie 427211548) (Incluye Dos Engranés) | 1 | H-4709-GK2A | 1115-GSX-2A |
| 22 | Llave del Ensamble del Freno | 1 | H-4709-KY660 | 0000-000660-00 |
| 23 | Tornillo | 5 | ----- | 0000-000026-00 |
| 24 | Rondana de Seguridad | 5 | H-4709-LW159 | 0000-000159-00 |
| 25 | Sello para Aceite | 1 | ----- | 0000-001788-00 |
| 26a | Tornillo Allen de Cabeza Cilíndrica M5 x 25 (Utilizado hasta el No. de Serie 427211547) | 6 | H-4709-M5X25 | 3020-010000-91 |

**CONTINUACIÓN DE LISTA DE PARTES DE LA CUBIERTA DE TRANSMISIÓN / FRENO DEL MOTOR
(HASTA EL NO. DE SERIE 426150001)**

| # | DESCRIPCIÓN | CANT. | NO. DE PARTE DE ULINE | NO. DE PARTE DEL FABRICANTE |
|-----|---|-------|-----------------------|-----------------------------|
| 26b | Tornillo Allen de Cabeza Cilíndrica M5 x 25 (Utilizado desde el No. de Serie 427211547) | 6 | ----- | 1115-200021-D0 |
| 27 | Rondana | 6 | H-4709-206 | 0000-000206-00 |
| 28 | Chavetero | 2 | H-4709-KEY | 0000-000662-00 |
| 29 | Sello para Aceite | 1 | H-4709-29 | 0000-000671-00 |
| 30 | Balero | 2 | H-4709-61824 | 0000-000663-00 |
| 31 | Llanta de Transmisión (Reemplazada por 1115-220000-D0) (Utilizada hasta el No. de Serie 427211547) | 1 | H-7515 | 1115-220000-A0 |
| 32 | Deflector de Transmisión | 1 | H-4709-BAFFL | 1115-200010-00 |
| 33 | Motor de Transmisión | 1 | H-4709-DMTR | 1115-250000-00 |
| 34 | Disco de Freno | 1 | ----- | 1115-240001-00 |
| 35 | Ensamble del Freno (Reemplazada por 1115-520012-0A) (Utilizado hasta el No. de Serie 426200143) Incluye: • 1 Tornillo #9 • 1 Disco de Freno #34 (1) • 1 Sello del Raspador #48 (1) (Utilizado desde el No. de Serie 426200144) | 1 | H-4709BASSY | 1115-520012-00 |
| 36 | Interruptor de Reducción de Velocidad y Arnés (Opcional si el patín cuenta con interruptor de reducción de velocidad) | 1 | ----- | 1115-520018-00 |
| 37 | Base de Instalación (Opcional si el patín cuenta con interruptor de reducción de velocidad) | 1 | ----- | 1115-700001-00 |
| 38 | Tornillo M4 x 10 (Opcional si el patín cuenta con interruptor de reducción de velocidad) | 2 | ----- | 0000-000701-00 |
| 39 | Guía para Cable | 1 | H-4709-WRGD | 1115-500012-00 |
| 40 | Rondana Plana M8 | 1 | ----- | 0000-001007-00 |
| 41 | Cepillos, Motor de Transmisión | 4 | ----- | 1115-250001-00 |
| 42 | Ensamble de la Unidad de Transmisión Incluye: • Motor • Llanta • BR (#8-35) | 1 | H-4709-GEAR | 1115-200000-A0 |
| 43 | Tornillo | 2 | H-4709-004 | 0000-000004-00 |
| 44 | Recuadro de Terminales | 1 | H-4709-TBLCK | 1115-231000-00 |
| 45 | Portacepillo | 1 | ----- | 1115-250003-00 |
| 46 | Resorte – Cepillo del Motor | 4 | ----- | 1115-250002-00 |
| 47 | Aro Interior (Utilizado hasta el No. de Serie 427211547) | 1 | H-4709-IRIM | 1115-200001-A0 |
| 48 | Sello del Raspador (Utilizado desde el No. de Serie 426200144) | 1 | ----- | 1115-240002-0A |
| 49 | Placa (Utilizada desde el No. de Serie 427190827) | 1 | ----- | 1115-200020-00 |

ULINE H-4709**BIG JOE® PATÍN****HIDRÁULICO****ELÉCTRICO– 3,000 LB**

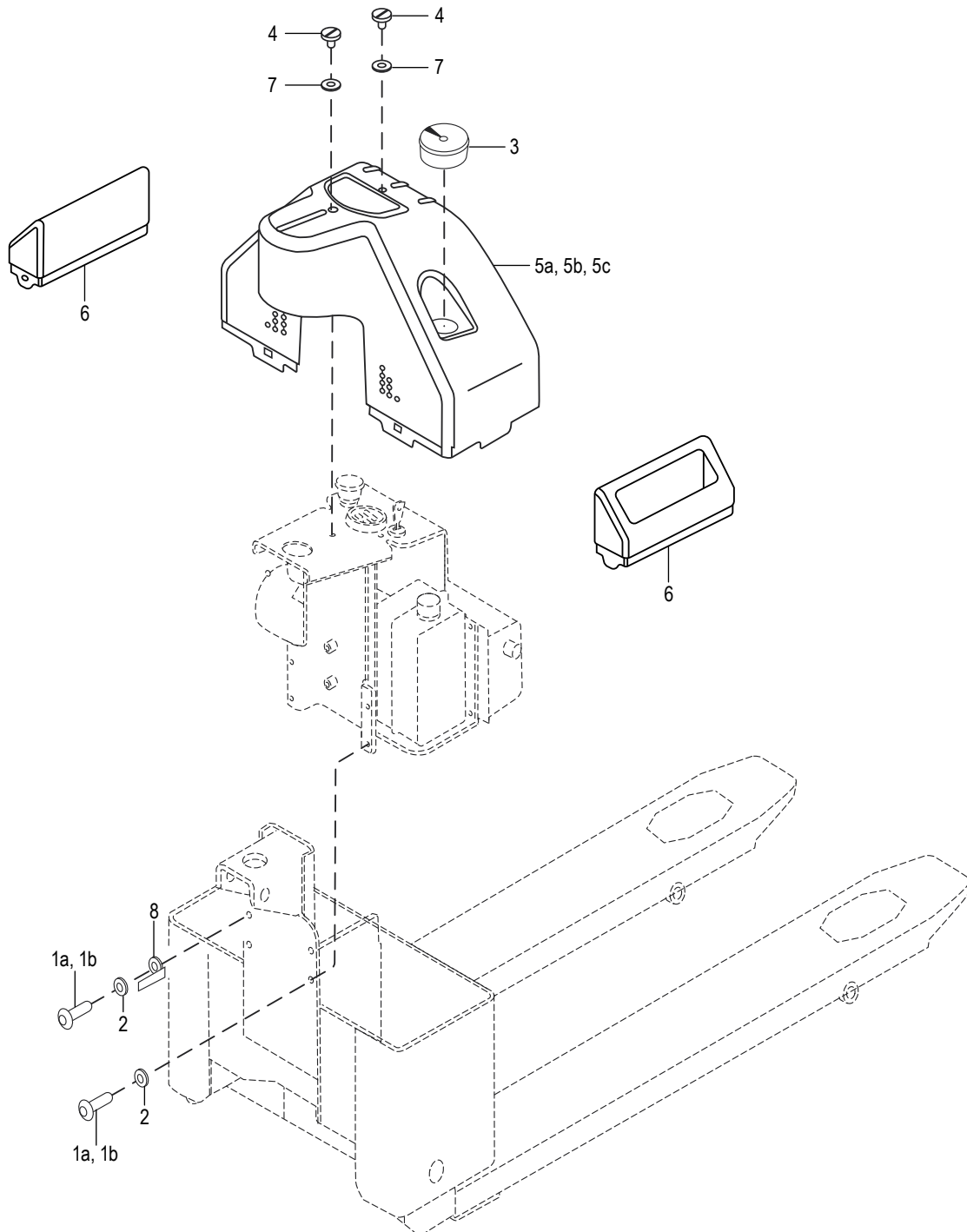
800-295-5510

uline.mx

CONTINUACIÓN DE LISTA DE PARTES DE LA CUBIERTA DE TRANSMISIÓN / FRENO DEL MOTOR
(HASTA EL NO. DE SERIE 426150001)

| # | DESCRIPCIÓN | CANT. | NO. DE PARTE DE ULINE | NO. DE PARTE DEL FABRICANTE |
|---|--|-------|-----------------------|-----------------------------|
| | Pieza para Conexión (No Se Muestra) (Opcional si el patín cuenta con interruptor de reducción de velocidad) | 1 | ----- | 1115-700003-00 |
| | Tornillo M6 × 25 (No Se Muestra) (Utilizado desde el No. de Serie 427211548) | 8 | H-4709-M6X25 | 1115-200022-D0 |
| | Tornillo M6 × 25 (No Se Muestra) (Utilizado desde el No. de Serie 427211548) | 6 | H-4709-M6X25 | 1115-200022-D0 |
| | Llanta de Transmisión (No Se Muestra) (Utilizado desde el No. de Serie 427211548) | 1 | H-4709-DW2 | 1115-220000-D0 |
| | Llanta de Transmisión, con Huellas (No Se Muestra) (Utilizada hasta el No. de Serie 427211547) (Para el No. de Serie 42615001 y mayor) | 1 | ----- | 1115-220000-B0 |
| | Llanta de Transmisión, con Huellas (No Se Muestra) (Utilizada desde el No. de Serie 427211548) | 1 | H-7505-DRIVQ | 1115-220000-E0 |
| | Ensamble del Freno (No Se Muestra) (Utilizado entre el No. de Serie 426200144 - 427190826) | 1 | H-4709BASSY | 1115-520012-0A |
| | Ensamble del Freno (No Se Muestra) (Utilizado entre el No. de Serie 426200144 - 427190827) | 1 | ----- | 1115-520012-10 |
| | Rin Interior (No Se Muestra) (Utilizado desde el No. de Serie 427211548) | 1 | H-4709-IR | 1115-200001-D0 |

CUBIERTA DEL COMPARTIMENTO



ULINE H-4709**BIG JOE® PATÍN****HIDRÁULICO****ELÉCTRICO– 3,000 LB**

800-295-5510

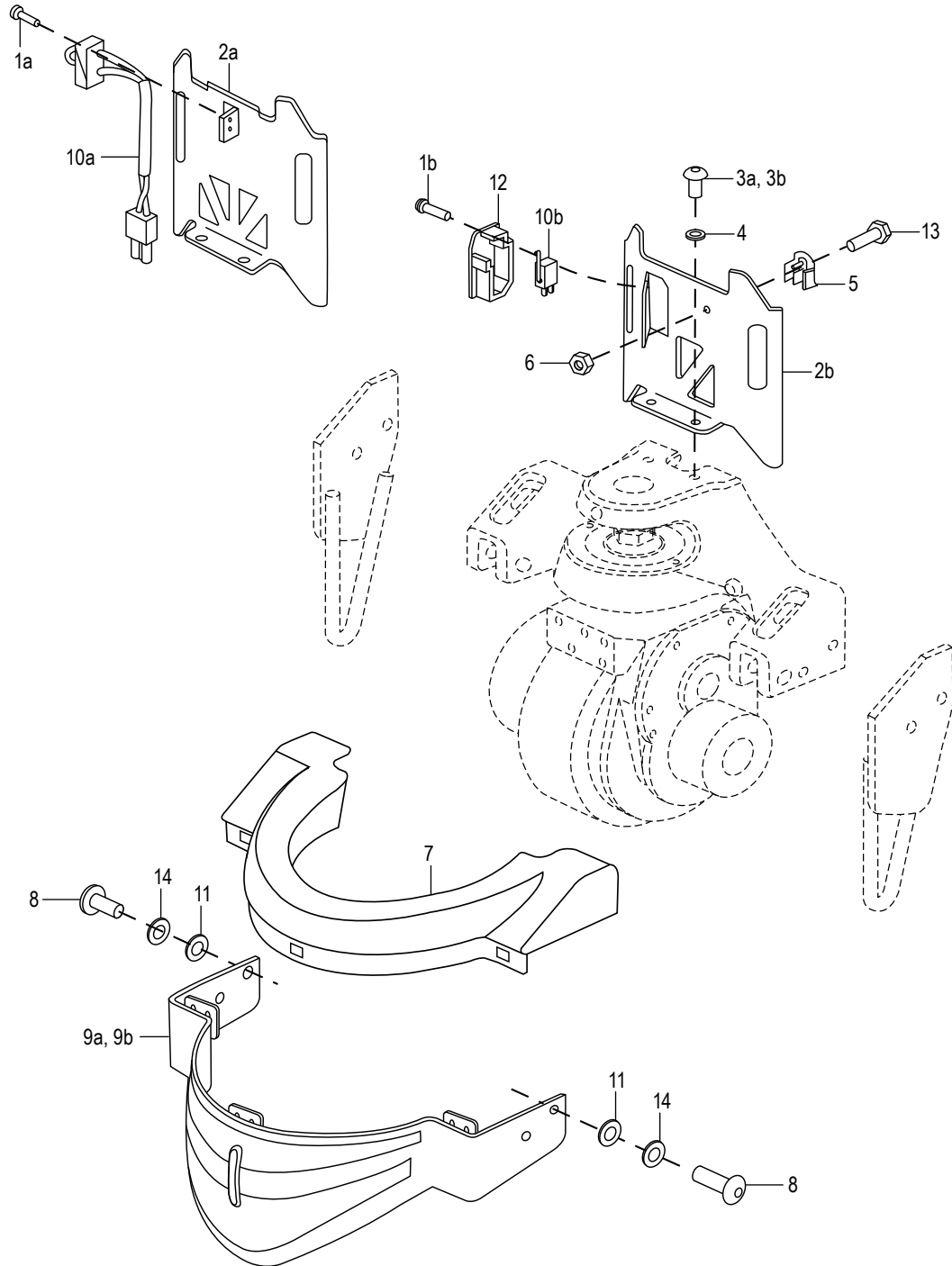
uline.mx

LISTA DE PARTES DE LA CUBIERTA DEL COMPARTIMENTO

| # | DESCRIPCIÓN | CANT. | NO. DE PARTE DE ULINE | NO. DE PARTE DEL FABRICANTE |
|----|---|-------|-----------------------|-----------------------------|
| 1a | Tornillo (Utilizado hasta el 24-10-2012) | 4 | ----- | 0000-000179-00 |
| 1b | Tornillo (Utilizado desde el 25-10-2012) | 4 | H-4709-7700 | 0000-000077-00 |
| 2 | Rondana Plana | 4 | H-4709-M6WSH | 0000-000123-00 |
| 3 | Tapa del Cargador | 1 | H-4709CAP | 1115-120002-00 |
| 4a | Tornillo M6 x 25 (Utilizado hasta el No. de Serie 427153083) | 2 | H-4710-SCREW | 1120-150004-00 |
| 4b | Tornillo M6 x 16 (Utilizado desde el No. de Serie 427153083) | 2 | ----- | 1120-150004-00 |
| 5a | Cubierta – Big Joe Amarillo | 1 | H-4709COVER | 1115-120001-00 |
| 5b | Cubierta – EP Rojo | 1 | ----- | 1115-120001-00-01 |
| 5c | Cubierta RAL 2008 Naranja | 1 | H-4709-02 | 1115-120001-00-02 |
| 6 | Cubierta (Reemplazada por 1115-120003-N0) (Utilizada hasta el No. de Serie 424191006) | 2 | ----- | 1115-120003-00 |
| 7 | Rondana | 2 | H-4710-10WSH | 2214-150002-00 |
| 8 | Abrazadera para Cable (Utilizada desde el 25-10-2012 en adelante) | 1 | ----- | 1115-500013-00 |
| | E30 Bolsillo Lateral para Almacenamiento – Big Joe Amarillo (No Se Muestra) (Utilizado desde el No. de Serie 424191007) | 2 | H-4709SCOVER | 1115-120003-n0 |
| | Cubiertas Laterales – Rojas (No Se Muestran) (Utilizados desde el No. de Serie 424191006) | 2 | ----- | 1115-120003-00-01 |
| | E30 Bolsillo Lateral para Almacenamiento – Rojo (No Se Muestra) (Utilizado desde el No. de Serie 424191007) | 2 | ----- | 1115-120003-n0-01 |
| | Cubierta (No Se Muestra) (Utilizada desde el No. de Serie 424191006) | 2 | ----- | 1115-120003-00-02 |
| | Cubierta, Bolsillo para Almacenamiento RAL 2008 Naranja (No Se Muestra) (Utilizada desde el No. de Serie 424191007) | 2 | ----- | 1115-120003-n0-02 |

COMPARTIMENTO

(HASTA EL NÚMERO DE SERIE 427190907)



ULINE H-4709**BIG JOE® PATÍN****HIDRÁULICO****ELÉCTRICO– 3,000 LB**

800-295-5510

uline.mx

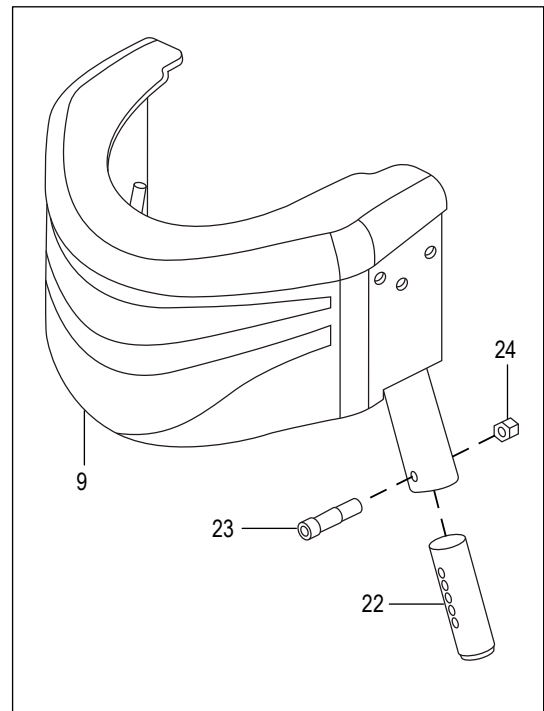
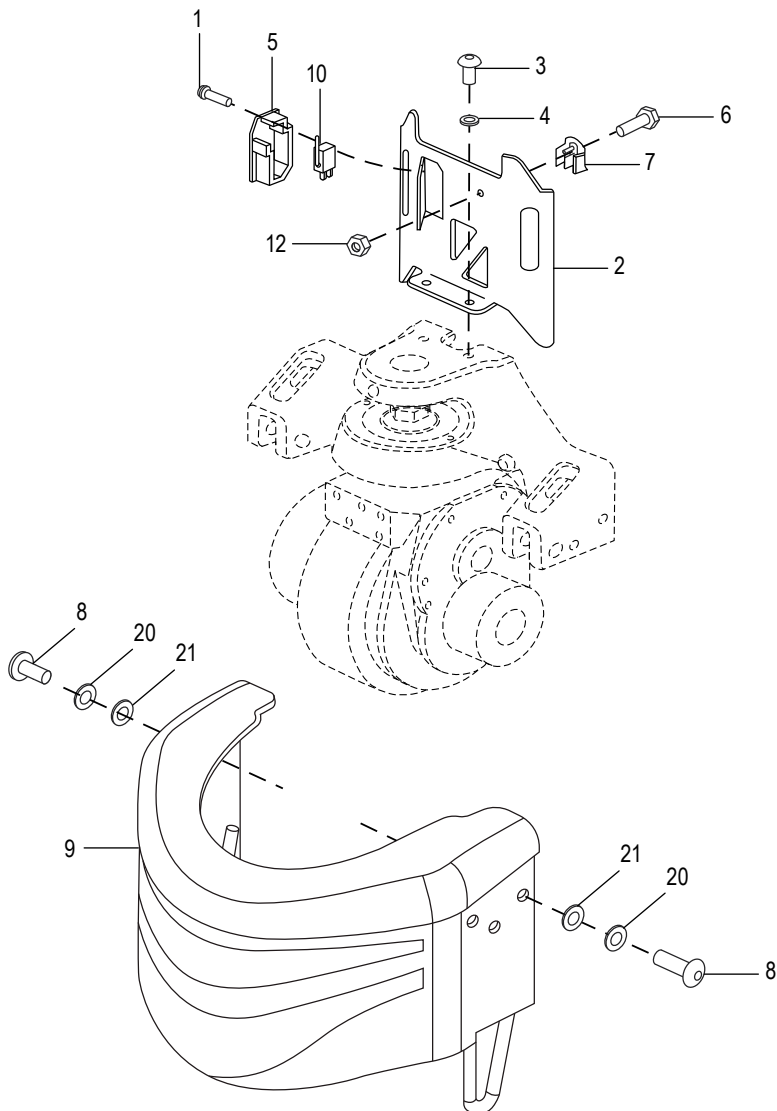
LISTA DE PARTES DEL COMPARTIMENTO
(HASTA EL NÚMERO DE SERIE 42719097)

| # | DESCRIPCIÓN | CANT. | NO. DE PARTE DE ULINE | NO. DE PARTE DEL FABRICANTE |
|-----|---|-------|-----------------------|-----------------------------|
| 1a | Tornillo M2 x 12 ST (Utilizado hasta el 21 el No. de Serie E2120047) | 2 | H-4709-M2X12 | 0000-000989-00 |
| 1b | Tornillo M3 x 20 (Utilizado desde el No. de Serie E2120048) | 2 | ----- | 0000-000981-00 |
| 2a | Soporte (Utilizado hasta el No. de Serie E2120047) | 1 | ----- | 1115-540000-00 |
| 2b | Soporte (Utilizado hasta el No. de Serie E2120048) | 1 | H-4709-PBRKT | 1115-500015-00 |
| 3a | Tornillo (Utilizado hasta el 01-02-2012) | 2 | ----- | 0000-000179-00 |
| 3b | Tornillo (Utilizado hasta el 01-02-2012) | 2 | H-4709-7700 | 0000-000077-00 |
| 4 | Rondana Plana | 2 | H-4709-M6WSH | 0000-000123-00 |
| 5 | Abrazadera para Cable (Utilizada desde el No. de Serie E2120048) | 1 | H-4709-WCLMP | 1115-500011-00 |
| 6 | Tuerca (Utilizada desde el No. de Serie E2120048) | 1 | H-4709-NUT | 0000-000923-00 |
| 7 | Cubierta | 1 | H-4709-BLCVR | 1115-121001-00 |
| 8a | Tornillo M10 x 25 (Utilizado hasta el No. de Serie 424210638) | 6 | ----- | 0000-000655-00 |
| 8b | Tornillo M10 x 25; Cabeza Cilíndrica (Utilizado desde el No. de Serie 424210638) | 6 | H-4709M10X25 | 0000-000494-00 |
| 9a | Cubierta (Reemplazada por el 1115-121100-0A) (Utilizada desde el No. de Serie E2221098) | 1 | ----- | 1115-121100-00 |
| 9b | Cubierta de Llanta de Transmisión (Utilizada desde el No. de Serie E2221099) | 1 | H-4709-TCOWL | 1115-121100-0A |
| 10a | Ensamble del Interruptor de Límite (Utilizado desde el No. de Serie E2120047) | 1 | ----- | 1115-520006-00 |
| 10b | Ensamble del Interruptor de Límite de Elevación (Utilizado desde el No. de Serie E2120048) | 1 | H-4709SLIMIT | 1115-500017-00 |
| 11 | Rondana Plana | 6 | H-4709-FWASH | 0000-000007-00 |
| 12 | Soporte (Utilizado desde el No. de Serie E2120048) | 1 | H-4709-CLAMP | 1115-500014-00 |
| 13 | Perno (Utilizado desde el No. de Serie E2120048) | 1 | H-4709-BOLT | 0000-000988-00 |
| 14 | Rondana (Utilizada desde el No. de Serie E2221099) | 6 | H-4709-19 | 0000-000063-00 |

ULINE H-4709
BIG JOE® PATÍN
HIDRÁULICO
ELÉCTRICO— 3,000 LB

800-295-5510
uline.mx

CONTINUACIÓN DE COMPARTIMENTO
(DESDE EL NO. DE SERIE 427190908)



Opcional

ULINE H-4709**BIG JOE® PATÍN****HIDRÁULICO****ELÉCTRICO– 3,000 LB**

800-295-5510

uline.mx

CONTINUACIÓN DE LISTA DE PARTES DEL COMPARTIMENTO
(DESDE EL NO. DE SERIE 427190908)

| # | DESCRIPCIÓN | CANT. | NO. DE PARTE DE ULINE | NO. DE PARTE DEL FABRICANTE |
|----|--|-------|-----------------------|-----------------------------|
| 1 | Tornillo, M3 x 20 | 2 | ----- | 0000-000981-00 |
| 2 | Soporte | 1 | H-4709BRACKT | 1115-500015-00 |
| 3 | Tornillo | 2 | H-4709-7700 | 0000-000077-00 |
| 4 | Rondana Plana | 2 | H-4709-M6WSH | 0000-000123-00 |
| 5 | Soporte | 1 | H-4709-CLAMP | 1115-500014-00 |
| 6 | Perno | 1 | H-4709-BOLT | 0000-000988-00 |
| 7 | Abrazadera para Cable, 2 Cables | 1 | ----- | 1115-500011-0A |
| 8 | Tornillo | 6 | H-4709-56 | 3020-000000-56 |
| 9 | Cubierta Inferior con Bases para Balance | 1 | H-4709-LCBS | 1115-122000-A0 |
| 9 | Cubierta Inferior con Soporte para UHMW (Opcional - No incluye insertos ni tornillería) | 1 | H-4709-D0 | 1115-122000-D0 |
| 10 | Ensamble del Interruptor de Límite de Elevación | 1 | H-4709SLIMIT | 1115-500017-00 |
| 12 | Tuerca | 1 | H-4709-NUT | 0000-000923-00 |
| 20 | Rondana | 6 | H-4709-19 | 0000-000063-00 |
| 21 | Rondana Plana | 6 | ----- | 0000-000007-00 |
| 22 | Inserto para Barra de Estabilidad Ajustable (Opcional) | 2 | ----- | 1115-140005-K0 |
| 23 | Tornillo (Opcional) | 2 | ----- | 0000-001102-00 |
| 24 | Tuerca (Opcional) | 2 | H-4705-4000 | 0000-000740-00 |
| | Rondana Plana (No Se Muestra) | 2 | ----- | 0000-000373-00 |
| | Rondana (No Se Muestra) | 6 | H-4709-19 | 0000-000630-00 |
| | Ensamble de Rueda (No Se Muestra) | 2 | ----- | 1115-160000-B0 |

ULINE H-4709

800-295-5510

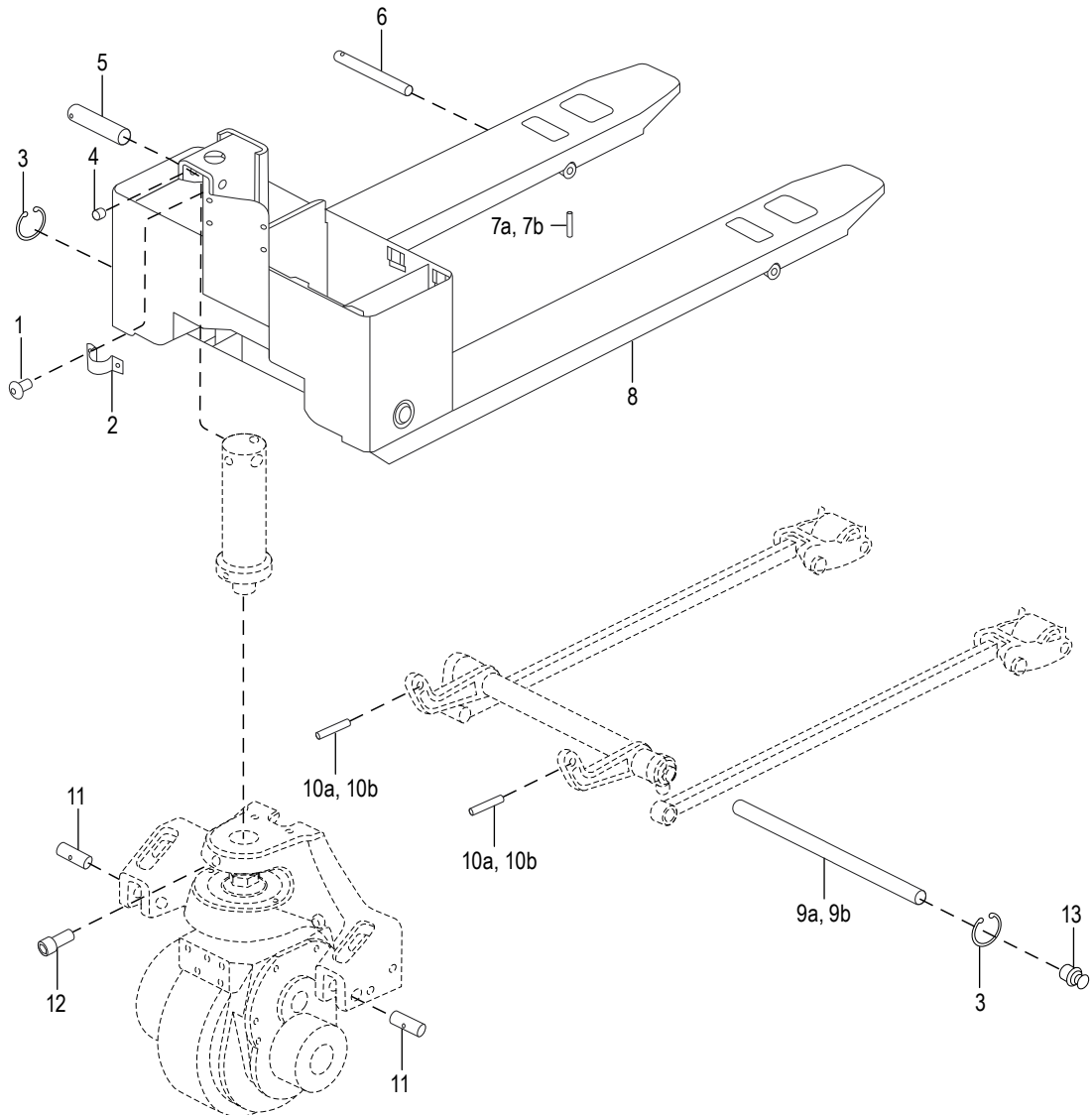
BIG JOE® PATÍN

uline.mx

HIDRÁULICO

ELÉCTRICO- 3,000 LB

ARMAZÓN



ULINE H-4709**BIG JOE® PATÍN****HIDRÁULICO****ELÉCTRICO- 3,000 LB**

800-295-5510

uline.mx

LISTA DE PARTES DEL ARMAZÓN

| # | DESCRIPCIÓN | CANT. | NO. DE PARTE DE ULINE | NO. DE PARTE DEL FABRICANTE |
|-----|--|-------|-----------------------|-----------------------------|
| 1 | Tornillo | 2 | H-4709-3 | 0000-000651-00 |
| 2 | Clip de Fijación | 1 | ----- | 1115-500002-00 |
| 3 | Clip | 2 | H-4709-CLIP | 0000-000650-00 |
| 4 | Tornillo | 2 | H-4710-M6X8 | 0000-000016-00 |
| 5 | Pasador de Instalación para Cilindro de Elevación | 1 | ----- | 1115-400001-00 |
| 6 | Eje Frontal de la Barra de Apoyo | 2 | H-4709-FPRS | 1115-1300004-0A |
| 7a | Pasador (Utilizado hasta el No. de Serie 424150330) | 2 | H-4709-RPIN | 0000-000708-00 |
| 7b | Pasador Recto Acanalado Tipo Resorte 5 x 30 (Utilizado desde el No. de Serie 424150331) | 2 | H-4709-M5X30 | 0000-001456-00 |
| 8 | Armazón Frontal | 1 | ----- | 1115-110000-40 |
| 9a | Eje de Soporte Largo (Utilizado hasta el No. de Serie 427120607) | 1 | H-4709-RPRS | 1115-130002-40 |
| 9b | Eje Posterior de la Barra de Apoyo E30 (Utilizado desde el No. de Serie 427120608) | 1 | ----- | 1115-130002-4B |
| 10a | Pasador Redondo (Utilizado hasta el No. de Serie 424150330) | 2 | H-4709-M4XM5 | 0000-000654-00 |
| 10b | Pasador del Rodillo M4 x 45 (Utilizado desde el No. de Serie 424150331) | 2 | ----- | 0000-001458-00 |
| 11 | Eje del Asa | 2 | H-4709-SHAFT | 1115-130001-00 |
| 12 | Tornillo (Utilizado hasta el No. de Serie E2116209) | 1 | H-4709-SC032 | 0000-000032-00 |
| 12 | Tornillo (Utilizado desde el No. de Serie E2116210) | 1 | H-4709-15500 | 0000-000155-00 |
| 13 | Engrasador (Utilizado desde el No. de Serie 427120608) | 2 | ----- | 0000-000013-00 |

ULINE H-4709

800-295-5510

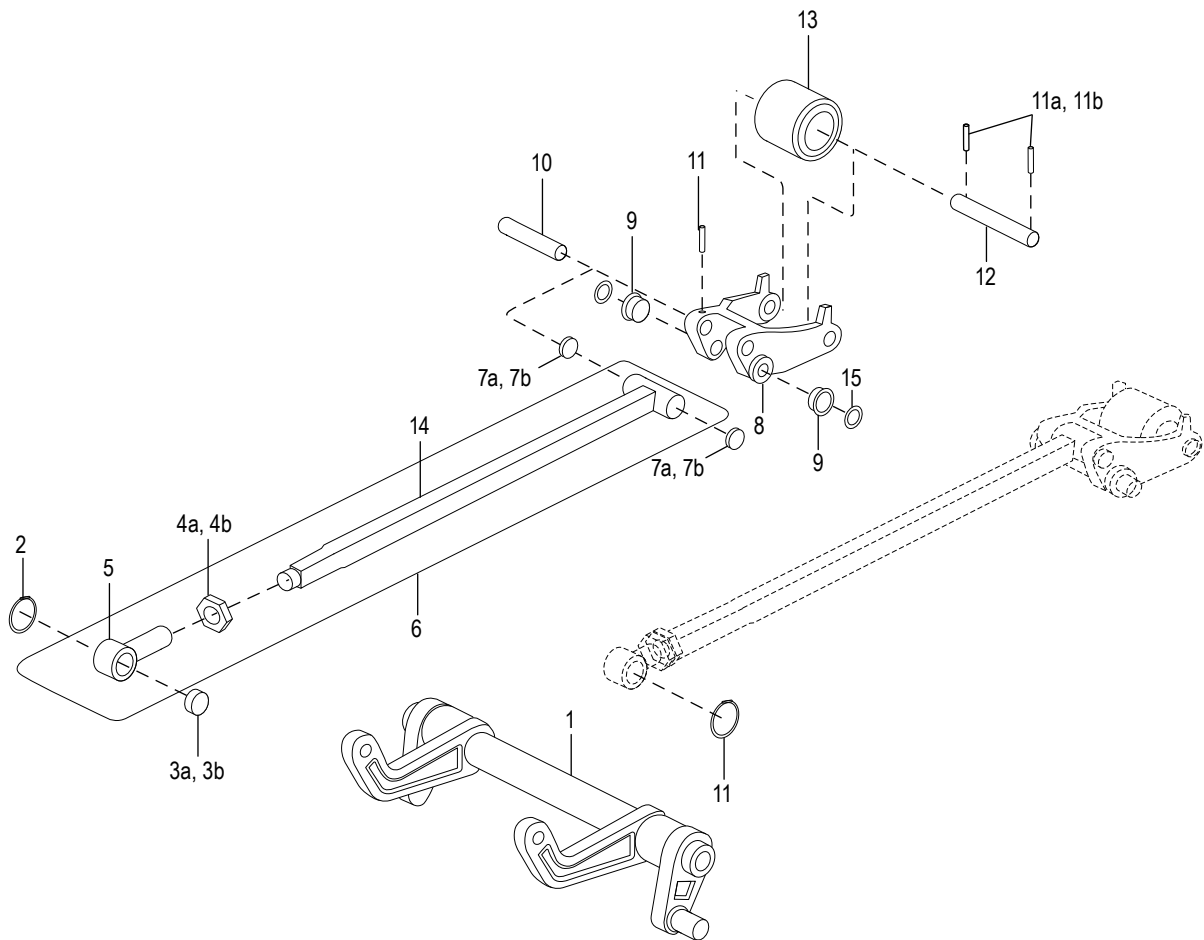
BIG JOE® PATÍN

uline.mx

HIDRÁULICO

ELÉCTRICO— 3,000 LB

ENSAMBLE DEL ESLABÓN DE ELEVACIÓN



ULINE H-4709**BIG JOE® PATÍN****HIDRÁULICO****ELÉCTRICO– 3,000 LB**

800-295-5510

uline.mx

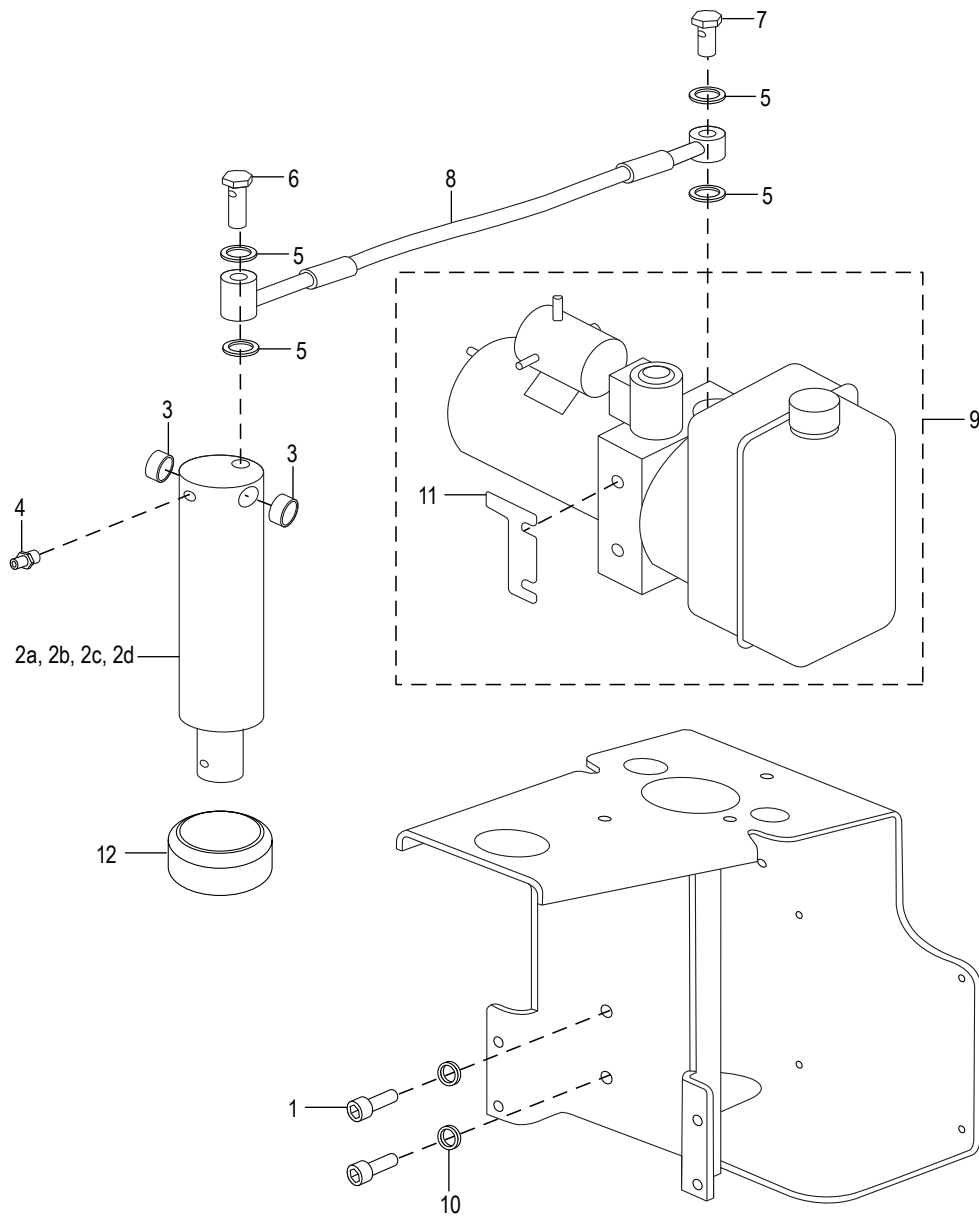
LISTA DE PARTES DEL ENSAMBLE DEL ESLABÓN DE ELEVACIÓN

| # | DESCRIPCIÓN | CANT. | NO. DE PARTE DE ULINE | NO. DE PARTE DEL FABRICANTE |
|-----|--|-------|-----------------------|-----------------------------|
| 1 | Eslabón Inferior 30 (Ancho de las Horquillas de 27") | 1 | ----- | 1115-131000-40 |
| 2 | Clip | 2 | H-4709-M25Q | 0000-000294-00 |
| 3a | Casquillo (Utilizado hasta el 21-02-2012) | 2 | ----- | 0000-000675-00 |
| 3b | Casquillo (Utilizado desde el 22-02-2012) | 2 | ----- | 0000-000906-00 |
| 4a | Tuerca (Utilizada hasta el No. de Serie 427162916) | 2 | ----- | 0000-000101-00 |
| 4b | Tuerca (Utilizada desde el No. de Serie 427162917) | 2 | ----- | 1121-132010-00 |
| 5 | Conector (Incluye Casquillo y Tuerca) | 2 | H-4709-CONN | 1115-132100-00 |
| 6 | Ensamble de Eslabón Largo – Horquillas de 45" | 2 | H-4709-LINK | 1115-132000-0B-04 |
| 7a | Casquillo (Utilizado hasta el 21-02-2012) | 4 | H-4710-B2015 | 0000-000011-00 |
| 7b | Casquillo (Utilizado desde el 22-02-2012) | 4 | H-4709-BSH | 0000-000907-00 |
| 8 | Soporte para Llanta | 2 | H-4709WHLBRK | 1115-130005-4A |
| 9 | Casquillo (Utilizado desde el 22-02-2012) | 4 | H-4709-908Q | 0000-000908-00 |
| 10 | Soporte del Eje Giratorio para la Llanta de Carga | 2 | H-4709LSHAFT | 1115-130003-00 |
| 11a | Pasador del Rodillo (Utilizado hasta el No. de Serie 424150330) | 4 | H-4709-RPIN | 0000-000708-00 |
| 11b | Pasador Recto Acanalado Tipo Resorte 5 x 30 (Utilizado desde el No. de Serie 424150331) | 4 | H-4709-M5X30 | 0000-001456-00 |
| 12 | Eje de la Llanta de Carga | 2 | H-4709WHLSHF | 1115-130007-40 |
| 13 | Ensamble de la Llanta de Carga con Baleros | 2 | H-4709LASSY | 1115-133000-40 |
| 14 | Barra Larga | 2 | ----- | 1115-132200-00-04 |
| 15 | Rondana – Dos por Soporte 1115-130005-4A (Utilizada desde el 29-11-2013) | 1 | H-4709-008Q | 1115-130008-00 |
| | Balero (No Se Muestra) | 1 | H-4709BRNG | 0000-000020-00 |

ULINE H-4709
BIG JOE® PATÍN
HIDRÁULICO
ELÉCTRICO— 3,000 LB

800-295-5510
uline.mx

SISTEMA HIDRÁULICO



ULINE H-4709**BIG JOE® PATÍN****HIDRÁULICO****ELÉCTRICO– 3,000 LB**

800-295-5510

uline.mx

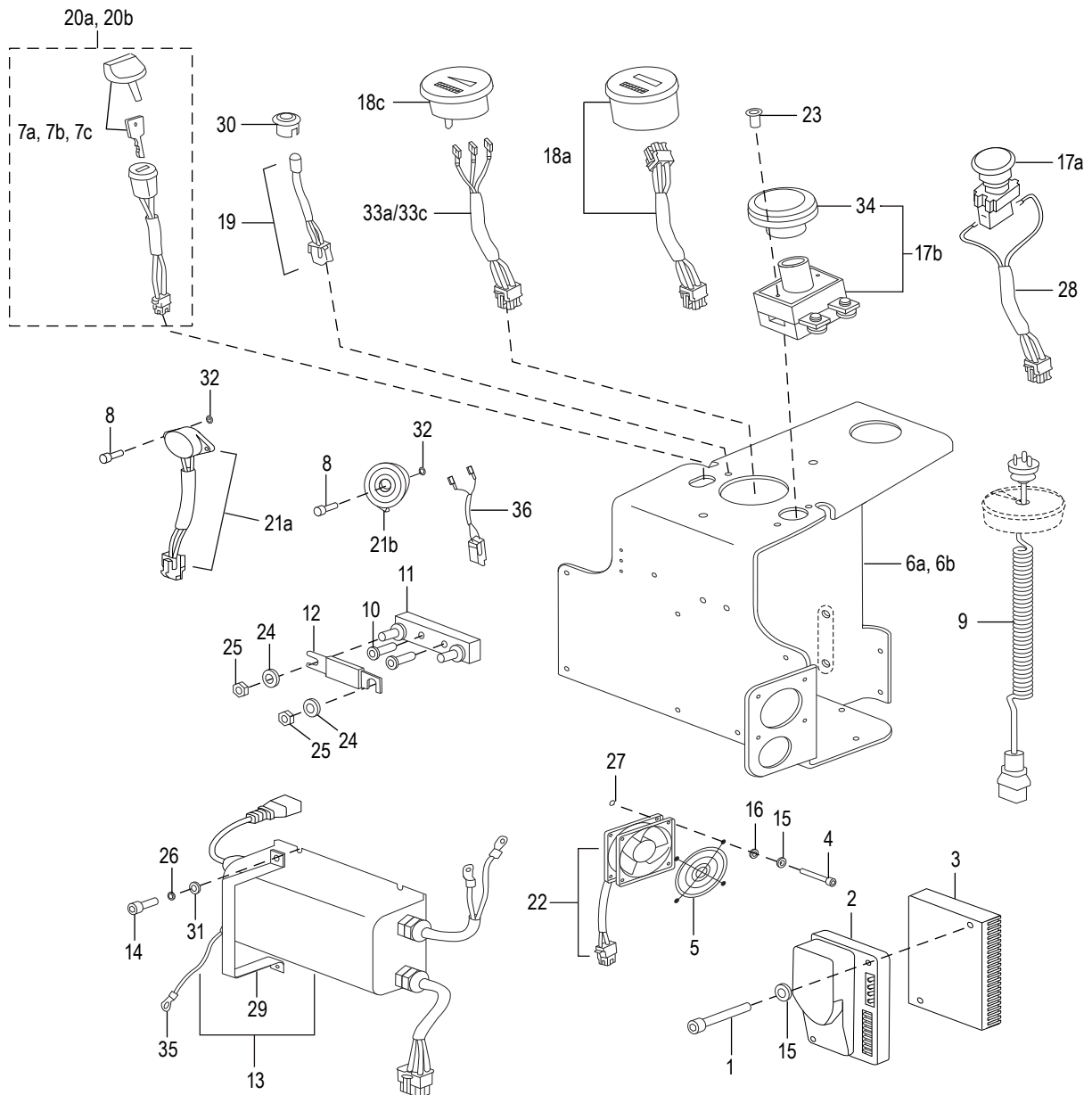
LISTA DE PARTES DEL SISTEMA HIDRÁULICO

| # | DESCRIPCIÓN | CANT. | NO. DE PARTE DE ULINE | NO. DE PARTE DEL FABRICANTE |
|----|---|-------|-----------------------|-----------------------------|
| 1 | Tornillo | 2 | ----- | 0000-000109-00 |
| 2a | Cilindro de Elevación (Utilizado hasta el No. de Serie E2017219) | 1 | ----- | 1115-410000-00 |
| 2b | Cilindro de Elevación (Para uso con el No. de Serie E2017220 - E2116209) | 1 | ----- | 1115-410000-0A |
| 2c | Cilindro de Elevación (Para uso con el No. de Serie E2116210 - 426192437) | 1 | H-4709-LCYL | 1115-410000-0B |
| 2d | Cilindro de Elevación (Utilizado desde el No. de Serie 426192438) | 1 | H-4709-CYLD | 1115-410000-0D |
| 3 | Casquillo | 2 | ----- | 0000-000705-00 |
| 4 | Engrasador | 1 | ----- | 0000-000013-00 |
| 5 | Rondana del Sello | 4 | H-4709WASHER | 0000-000044-00 |
| 6 | Perno | 1 | ----- | 2401-146000-00 |
| 7 | Perno | 1 | ----- | 2401-143500-00 |
| 8 | Manguera Hidráulica | 1 | H-4709HOSE | 1115-420000-00 |
| 9 | Ensamble de la Bomba y el Motor (Reemplazado por 1115-430000-0A) Incluye: • 1 Bomba • 1 Motor | 1 | H-4709-PUMP | 1115-510001-00 |
| 10 | Rondana de Seguridad | 2 | H-4709-LW159 | 0000-000159-00 |
| 11 | Cuña (Utilizada desde el No. de Serie 425190003) | 1 | H-4709-BAFF | 1115-511004-0A |
| 12 | Bloque (Utilizado desde el No. de Serie E21162010) | 1 | H-4708-BLCK | 1115-400002-0B |
| | Solenoide del Motor de la Bomba (No Se Muestra) | 1 | H-4709PMPMTR | 1115-560002-00 |

ULINE H-4709
BIG JOE® PATÍN
HIDRÁULICO
ELÉCTRICO— 3,000 LB

800-295-5510
uline.mx

SISTEMA ELÉCTRICO



ULINE H-4709**BIG JOE® PATÍN****HIDRÁULICO****ELÉCTRICO– 3,000 LB**

800-295-5510

uline.mx

LISTA DE PARTES DEL SISTEMA ELÉCTRICO

| # | DESCRIPCIÓN | CANT. | NO. DE PARTE DE ULINE | NO. DE PARTE DEL FABRICANTE |
|-----|--|-------|-----------------------|-----------------------------|
| 1 | Tornillo | 2 | ----- | 0000-000665-00 |
| 2 | Controlador Programado para E30 | 1 | H-4709-E30 | 1115-510004-00-40 |
| 3 | Disipador Térmico | 1 | ----- | 1115-510005-0A |
| 4 | Tornillo | 4 | ----- | 0000-000121-00 |
| 5 | Tapete de Velo | 1 | ----- | 1115-500007-00 |
| 6a | Soporte (Utilizada hasta el No. de Serie 4281000747) | 1 | ----- | 1115-511002-40 |
| 6b | Soporte (Utilizado desde el No. de Serie 4281000748) | 1 | ----- | 1115-511000-0C |
| 7a | Llaves de Interruptor de Tres Entradas, Set de 2 (Solo se utiliza en los Nos. de Serie: E2013117, E2013119, E2013120, E2013121, E2013123, E2013124, E2013125, E2013126, E2013127, E2013128, E2013133, E2013142, E2013143, E2014129, E2014131, E2014134, E2014147) | 2 | ----- | 1115-500008-00 |
| 7b | Set de Llaves Moldeadas Negras (Reemplazado por 1120-500016-00) (Utilizada hasta el No. de Serie 4281000748) | 2 | ----- | 1115-500010-00 |
| 7c | Llave de Plástico Negro Moldeado – Set de 2 (Utilizada desde el No. de Serie Ed2120048) | 2 | H-5031 | 1115-500016-00 |
| 8a | Tornillo (Utilizado hasta el No. de Serie 4281403797) | 2 | ----- | 0000-000666-00 |
| 8b | Tornillo (Utilizado desde el No. de Serie 4281403798) | 2 | H-4709-004 | 0000-000004-00 |
| 9 | Cable del Cargador | 1 | H-4709CHRCBL | 1115-500006-10 |
| 10 | Tornillo | 2 | ----- | 0000-000126-00 |
| 11 | Base de Fusible | 1 | H-4709-FHLDR | 1120-540001-00-B |
| 12 | Fusible de Energía | 1 | H-4709-FUSE | 1115-510003-00 |
| 13 | Ensamble del Cargador 15A | 1 | H-4709CHRGR | 1118-560006-00-01 |
| 14 | Tornillo | 4 | ----- | 0000-000031-00 |
| 15 | Rondana de Bloqueo 4 | 6 | H-7505-WASH4 | 0000-000122-00 |
| 16 | Rondana Plana 4 | 4 | ----- | 0000-000702-00 |
| 17a | Interruptor de Paro de Emergencia (Reemplazado por el 1113-500012-01) (Solo se utiliza en los Nos. de Serie: E2013118, E2013122, E2013189, E2013190, E2013191, E2013192, E2013117, E2013119, E2013120, E2013121, E2013125, E2013128, E2013126, E2013123) | 1 | H-7505-ERSWQ | 3218-604000-00 |
| 17b | Interruptor de Paro de Emergencia (Para todos los patines no mencionados en #17) | 1 | H-4779 | 1115-510008-00 |
| 18a | Kit de Indicador de Descarga de Batería (utilizado antes del No. de Serie #4311301787) Incluye: • Medidor de Descarga de Batería con Medidor de Hora • Arnés de Cable de IDB | 1 | H-4709-BDIKT | 901851 |
| 18c | Medidor de Descarga de Batería con Medidor de Hora (utilizados antes del No. de Serie #4311301787) | 1 | H-4710-BIMTR | 2105-500003-00 |
| 19 | LED | 1 | H-4709WHRNSS | 1115-520013-00 |

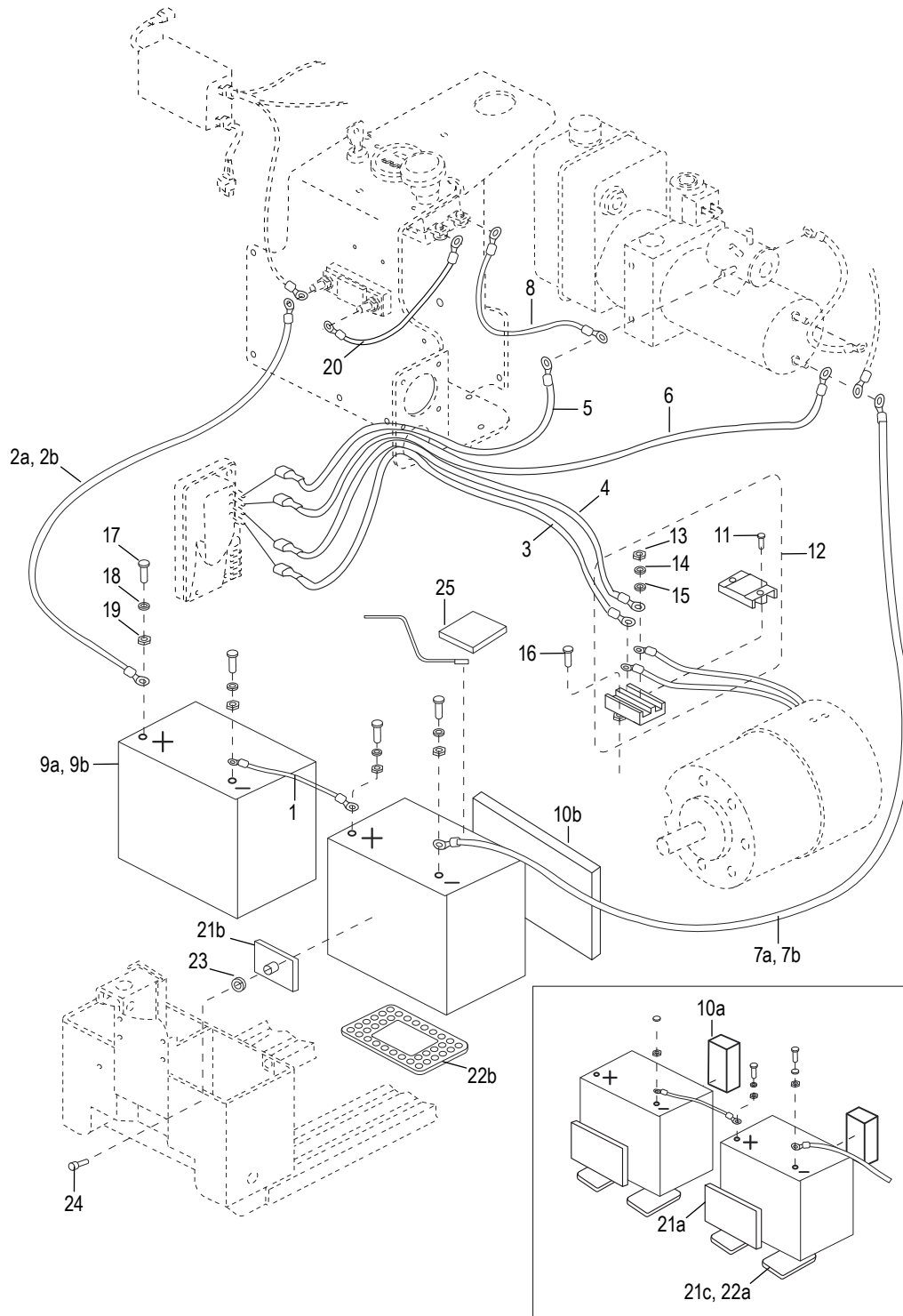
CONTINUACIÓN DE LISTA DE PARTES DEL SISTEMA ELÉCTRICO

| # | DESCRIPCIÓN | CANT. | NO. DE PARTE DE ULINE | NO. DE PARTE DEL FABRICANTE |
|-----|---|-------|-----------------------|-----------------------------|
| 20a | Ensamble del Interruptor de Tres Entradas con Dos Llaves (Solo se utiliza en los Nos. de Serie: E2013117, E2013119, E2013120, E2013121, E2013123, E2013124, E2013125, E2013126, E2013127, E2013128, E2013133, E2013142, E2013143, E2014129, E2014131, E2014134, E2014147. NOTAS: E30 y S22) | 1 | H-4709-SASSQ | 1115-520003-00 |
| 20b | Ensamble del Interruptor para Llaves de Dos Entradas (Utilizado hasta el No. de Serie E2120047) | 1 | ----- | 1115-520003-0A |
| 20c | Interruptor para Llaves (Utilizado desde el No. de Serie E2120048) | 1 | H-4709KEYSWT | 1115-520019-0A |
| 21a | Ensamble de Alarma (Claxon) (Utilizado hasta el No. de Serie 4281403797) | 1 | H-4709-BZASM | 1115-520015-00 |
| 21b | Claxon (Utilizado desde el No. de Serie 4281403798) | 1 | H-4710-HORN | 1120-500003-0A |
| 22 | Ventilador | 1 | H-4709-FAN | 1115-520007-00 |
| 23 | Tornillo M5 x 10 | 2 | H-4709-22 | 0000-000616-00 |
| 24 | Rondana Plana | 2 | H-4709-FW | 0000-000194-00 |
| 25 | Tuerca | 2 | ----- | 0000-000196-00 |
| 26 | Rondana | 4 | H-4709-206 | 0000-000206-00 |
| 27 | Anillo Tórico | 4 | ----- | 0000-001133-00 |
| 28 | Interruptor de Paro de Emergencia (Utilice #17) | 1 | ----- | 1115-520011-00 |
| 29 | SopORTE para Cargador (Utilizado desde el 15-08-2012) | 2 | ----- | 1115-500009-00 |
| 30 | Enchufe de LCD | 1 | H-4709SOCKET | 1115-510009-00 |
| 31 | Rondana Plana | 4 | H-4709-FW128 | 0000-000128-00 |
| 32 | Anillo Tórico | 2 | ----- | 0000-001134-00 |
| 33a | Amés de Cables BDI (Utilizado hasta el No. de Serie 4311301787) | 1 | H-4709-BDIQ | 1115-520005-0A |
| 33c | Amés de Cables BDI (Utilizado desde el No. de Serie 4311301787) | 1 | H-4709-BDI | 1115-520005-20 |
| 34 | Interruptor, Solo Botón | 1 | H-4709BUTTNQ | 1115-510008-10 |
| 35 | Alambre a Tierra (Utilizado desde el No. de Serie 426191250) | 1 | ----- | 1115-520021-00 |
| 36 | Amés de Cableado del Claxon (Utilizado desde el No. de Serie 4281403798) | 1 | ----- | 1115-0000LB-LD |

ULINE H-4709
BIG JOE® PATÍN
HIDRÁULICO
ELÉCTRICO— 3,000 LB

800-295-5510
uline.mx

CABLEADO



ULINE H-4709**BIG JOE® PATÍN****HIDRÁULICO****ELÉCTRICO- 3,000 LB**

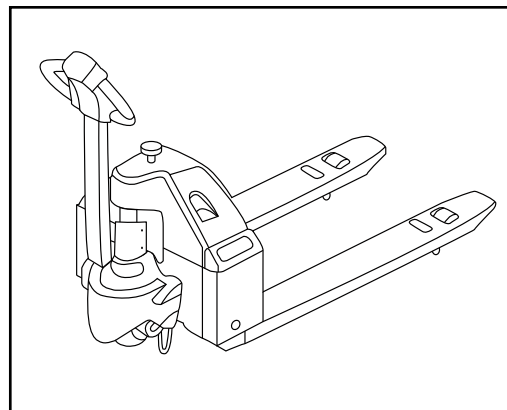
800-295-5510

uline.mx

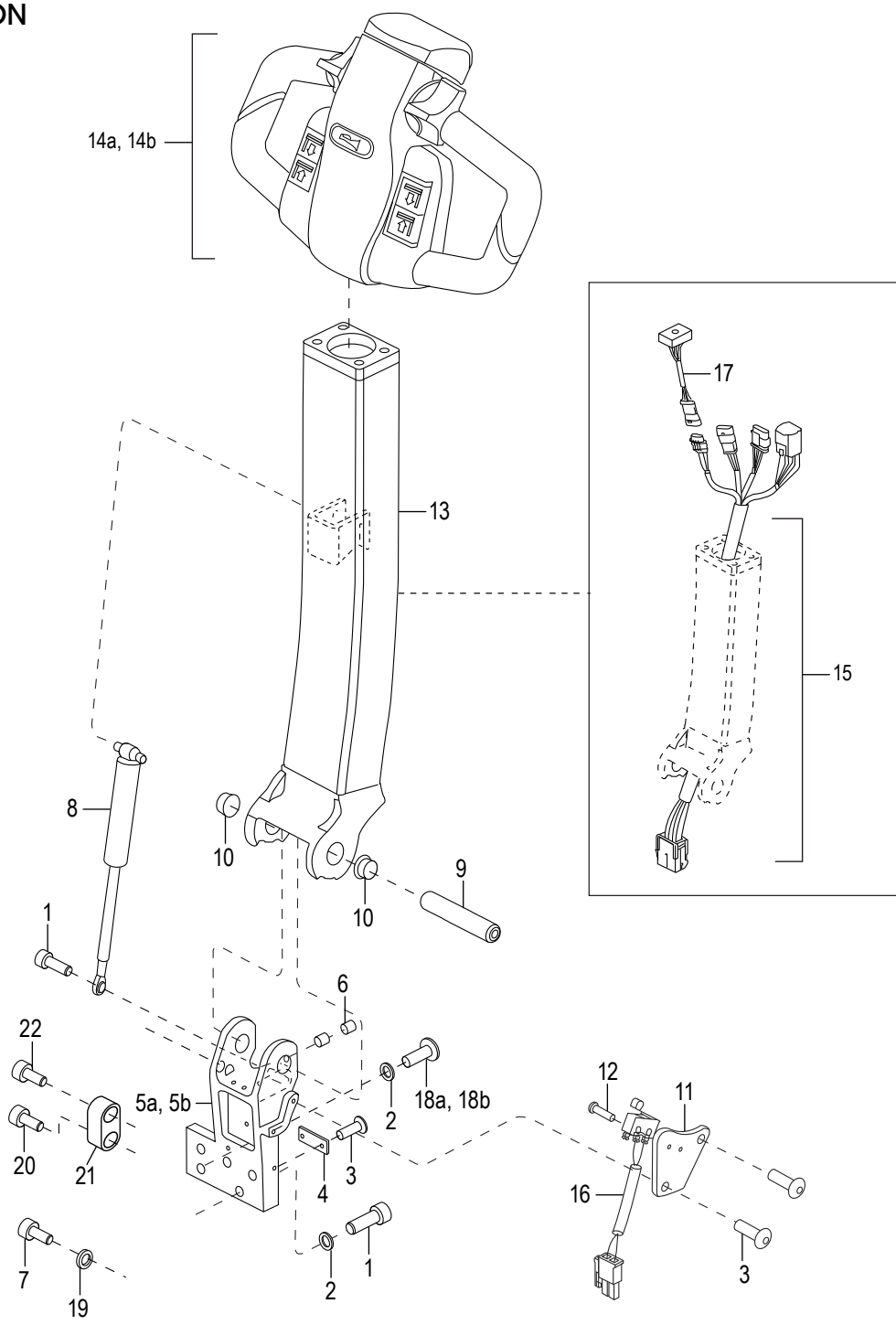
LISTA DE PARTES DEL CABLEADO

| # | DESCRIPCIÓN | CANT. | NO. DE PARTE DE ULINE | NO. DE PARTE DEL FABRICANTE |
|-----|--------------------------------------|-------|-----------------------|-----------------------------|
| 1 | Cable del Conector de la Batería | 1 | ----- | 1115-530008-00 |
| 2a | Cable de la Batería (+) | 1 | ----- | 1115-530007-00 |
| 2b | Cable de la Batería (+) | 1 | H-4709-BC+ | 1115-530007-10 |
| 3 | Cable M2 | 1 | ----- | 1115-530004-00 |
| 4 | Cable M1 | 1 | ----- | 1115-530003-00 |
| 5 | Cable B (+) | 1 | ----- | 1115-530001-00 |
| 6 | Cable B (-) | 1 | ----- | 1115-530002-00 |
| 7a | Cable P (-) | 1 | ----- | 1115-530006-00 |
| 7b | Cable P (-) | 1 | H-4709-006 | 1115-530006-10 |
| 8 | Cable P (+) | 1 | H-4709-005 | 1115-530005-00 |
| 9a | Batería | 2 | ----- | 1115-500005-00 |
| 9b | Batería AGM de 12V | 2 | H-5032 | 003231 |
| 10a | Bloque EPE | 2 | ----- | 1115-100001-00 |
| 10b | Bloque EPE | 2 | ----- | 1115-100004-F0 |
| 11 | Tornillo | 2 | ----- | 0000-000485-00 |
| 12 | Recuadro de Terminales | 1 | H-4709-TBLCK | 1115-231000-00 |
| 13 | Tuerca | 2 | ----- | 0000-000108-00 |
| 14 | Rondana | 2 | ----- | 0000-000056-00 |
| 15 | Rondana Plana | 2 | ----- | 0000-000380-00 |
| 16 | Tornillo | 2 | H-4709-004 | 0000-000004-00 |
| 17 | Perno | 4 | ----- | 0000-000277-00 |
| 18 | Rondana de Seguridad | 4 | H-4709-LW159 | 0000-000159-00 |
| 19 | Rondana | 4 | H-4709-176 | 0000-000176-00 |
| 20 | Cable C3 | 1 | H-4709-C3CBL | 1115-530009-00 |
| 21a | Bloque EPE | 2 | ----- | 1115-100002-00 |
| 21b | Bloque EPE II | 2 | ----- | 1115-160000-F0 |
| 21c | Bloque EPE III | 2 | ----- | 1115-100003-00 |
| 22a | Acojinado de Caucho | 4 | ----- | 2112-410005-00 |
| 22b | Manta de Caucho | 2 | ----- | 1115-100005-00 |
| 23 | Tuerca | 2 | ----- | 0000-000550-00 |
| 24 | Tornillo de Cabeza Hexagonal M8 x 45 | 2 | ----- | 0000-000917-00 |
| 25 | Parche Sensor de Temperatura | 1 | ----- | 1115-520020-00 |

**BIG JOE^{MD} – TRANSPALETTE
ÉLECTRIQUE – 3 000 LB**



LEVIER DE DIRECTION

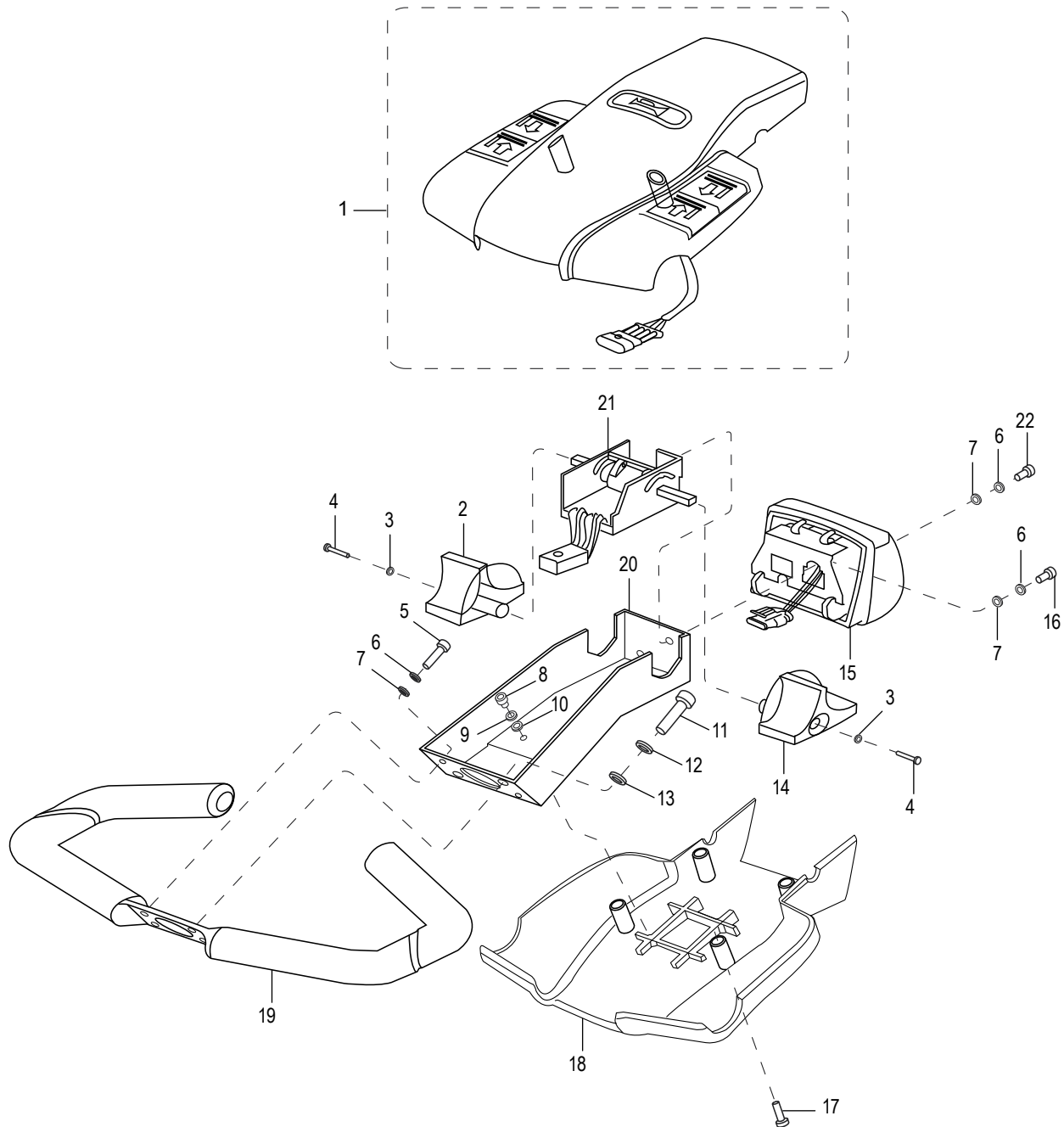


LISTE DES PIÈCES DU LEVIER DE DIRECTION

| # | DESCRIPTION | QTÉ | RÉF. ULINE | RÉF. DU FABRICANT |
|-----|--|-----|--------------|-------------------|
| 1 | Vis | 4 | H-4709-SC322 | 0000-000322-00 |
| 2 | Rondelle de blocage | 5 | H-4709-LW159 | 0000-000159-00 |
| 3 | Vis | 4 | H-4709-3 | 0000-000651-00 |
| 4 | Plaque (utilisé jusqu'au n° de série E2319735) | 1 | ----- | 1115-500004-00 |
| 5a | Support (utilisé jusqu'au n° de série E2219053) (remplace 1115-3000001-00) | 1 | H-4709-5 | 1115-300001-0A |
| 5b | Support (utilisé à partir du n° de série E2219054) | 1 | H-4709-BRCKT | 1115-300001-0C |
| 6 | Vis M6 x 6 (vis de réglage) | 2 | ----- | 0000-001019-00 |
| 7 | Vis (utilisé jusqu'au n° de série E2219053) | 1 | H-4709-7 | 0000-000030-00 |
| 8 | Vérin à gaz | 1 | H-5020 | 1120-320000-00 |
| 9 | Axe d'articulation de la poignée | 1 | H-4709-9 | 1115-300002-00 |
| 10 | Bague | 2 | H-4709BUSHNG | 0000-000677-00 |
| 11 | Support | 1 | H-4709-11 | 1115-500001-00 |
| 12 | Vis M2 x 12 ST | 2 | H-4709-M2X12 | 0000-000989-00 |
| 13 | Ensemble du levier | 1 | H-4709-HNDL | 1115-310000-00 |
| 14a | Ensemble de la tête de commande (utilisé jusqu'au n° de série 427102394) | 1 | H-4709CONTRL | 1115-320000-00 |
| 14b | Ensemble de la tête de commande (utilisé à partir du n° de série 427102395) | 1 | H-4709-HEAD | 1115-340000-00-70 |
| 15 | Faisceau de câblage | 1 | H-4709WHRNS | 1115-520010-00 |
| 16 | Disjoncteur de sûreté avec faisceau de câblage | 1 | H-4709SWASMB | 1115-520009-0A |
| 17 | Faisceau de câblage du potentiomètre | 1 | H-4709WREHRN | 1115-520017-00 |
| 18a | Vis (utilisé jusqu'au n° de série 426193482) | 2 | H-4709-SC912 | 0000-000912-00 |
| 18b | Vis (utilisé jusqu'au n° de série E2219053) | 2 | H-4710-M8X25 | 0000-000151-00 |
| 19 | Rondelle (utilisé jusqu'au n° de série E2219053) | 1 | H-4709-19 | 0000-000063-00 |
| 20 | Vis M8 x 20 (utilisé à partir du n° de série E2219054) | 1 | H-4709-SC101 | 0000-001101-00 |
| 21 | Bloc de proximité (utilisé à partir du n° de série E2219054) | 1 | H-4709-BLOCK | 1115-300003-00 |
| 22 | Vis (utilisé à partir du n° de série E2219054) | 1 | H-4709-SC004 | 1115-300004-00 |
| | Faisceau de câblage d'entraînement (non illustré) | 1 | H-4709DHRNSS | 1115-520002-1F |
| | Faisceau de câblage principal (non illustré) | 1 | H-4709WIREH | 1115-520001-0C |

**BIG JOE^{MD} – TRANSPALETTE
ÉLECTRIQUE – 3 000 LB**

TÊTE DE COMMANDE
(JUSQU'AU N° DE SÉRIE 427102394)

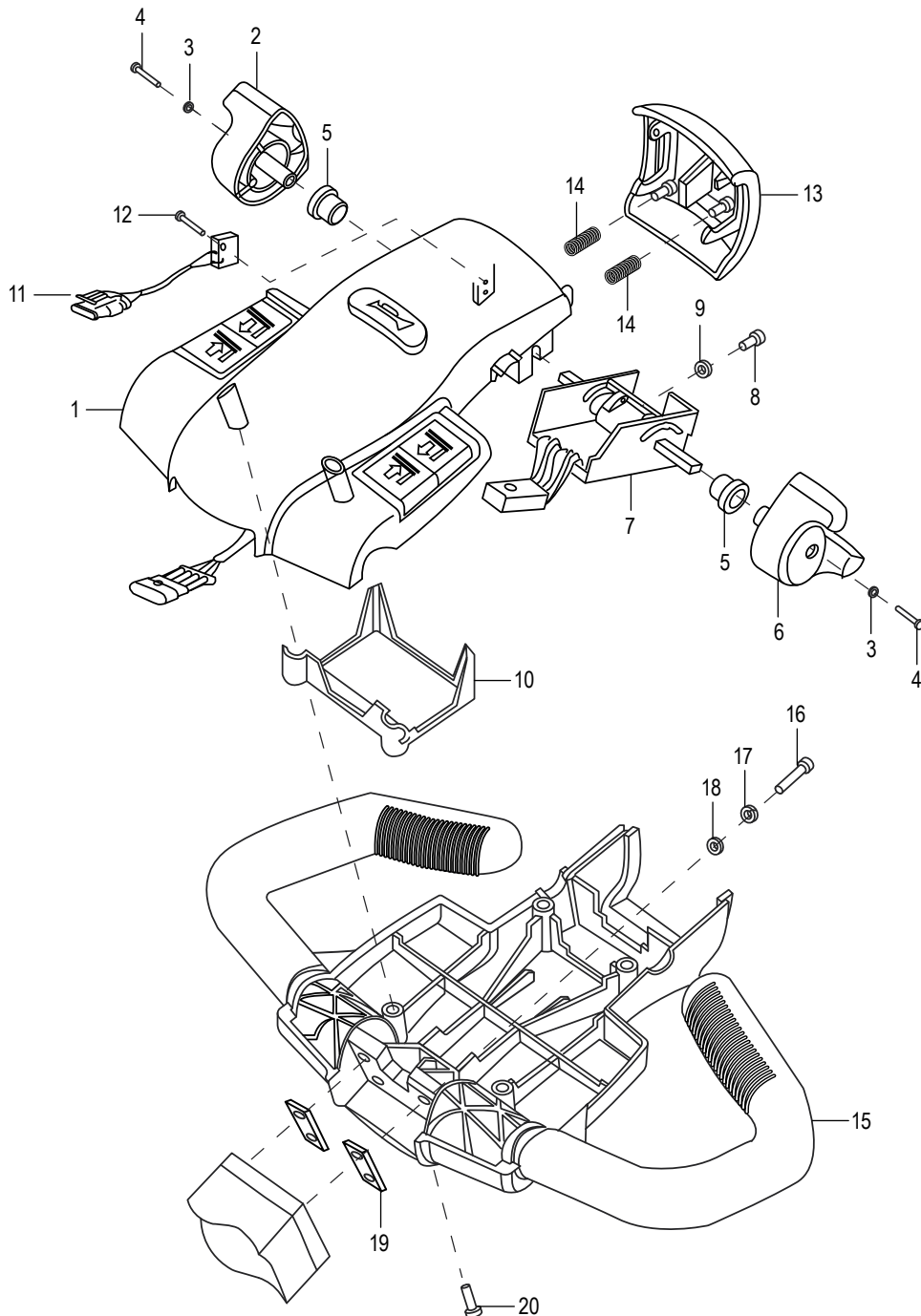


**LISTE DES PIÈCES DE LA TÊTE DE COMMANDE
(JUSQU'AU N° DE SÉRIE 427102394)**

| # | DESCRIPTION | QTÉ | RÉF. ULINE | RÉF. DU FABRICANT |
|-----|--|-----|--------------|-------------------|
| 1 | Ensemble du couvercle de la tête de commande avec matériel de câblage | 1 | H-4709-21 | 1120-342000-00-B |
| 2 | Partie droite de la molette de commande | 1 | H-5030 | 1120-340005-00 |
| 3 | Rondelle | 2 | H-4709-LW038 | 0000-000038-00 |
| 4 | Vis M3 x 12 | 2 | H-4709-SC037 | 0000-000037-00 |
| 5 | Vis | 2 | H-4709-004 | 0000-000004-00 |
| 6 | Rondelle | 4 | H-4709-206 | 0000-000206-00 |
| 7 | Rondelle plate | 4 | H-4709-390 | 0000-000390-00 |
| 8 | Vis | 2 | H-4710-M4X8 | 0000-000088-00 |
| 9 | Rondelle de blocage 04 | 2 | H-7505-WASH4 | 0000-000122-00 |
| 10 | Rondelle plate 04 | 2 | ----- | 0000-000702-00 |
| 11 | Vis | 2 | H-4709-SC322 | 0000-000322-00 |
| 12 | Rondelle de blocage | 2 | H-4709-LW159 | 0000-000159-00 |
| 13 | Rondelle | 2 | H-4709-176 | 0000-000176-00 |
| 14 | Partie gauche de la molette de commande | 1 | H-5029 | 1120-34003-00 |
| 15 | Couvercle du bouton de sécurité avec faisceau de câblage (utilisé jusqu'au n° de série 427102394) | 1 | H-4778 | 1115-343000-00-B |
| 15a | Couvercle du bouton de sécurité avec faisceau de câblage (utilisé à partir du n° de série 427102395) | 1 | H-4710-COVER | 1115-340003-00 |
| 16 | Vis | 1 | H-4709-004 | 0000-000004-00 |
| 17 | Vis | 4 | H-4710-M5X20 | 0000-000035-00 |
| 18 | Couvercle | 1 | H-4710-HAND | 1120-340002-00 |
| 19 | Poignée | 1 | H-4710-HN341 | 1120-341000-00 |
| 20 | Support de raccordement | 1 | H-4709-CB | 1120-340001-00 |
| 21 | Accélérateur (remplacé par 1120-340004-00-01) | 1 | H-5028 | 1120-520008-0C |
| 22 | Vis | 1 | ----- | 0000-000010-00 |

**BIG JOE^{MD} – TRANSPALETTE
ÉLECTRIQUE – 3 000 LB**

**TÊTE DE COMMANDE
(À PARTIR DU N° DE SÉRIE 427102395)**

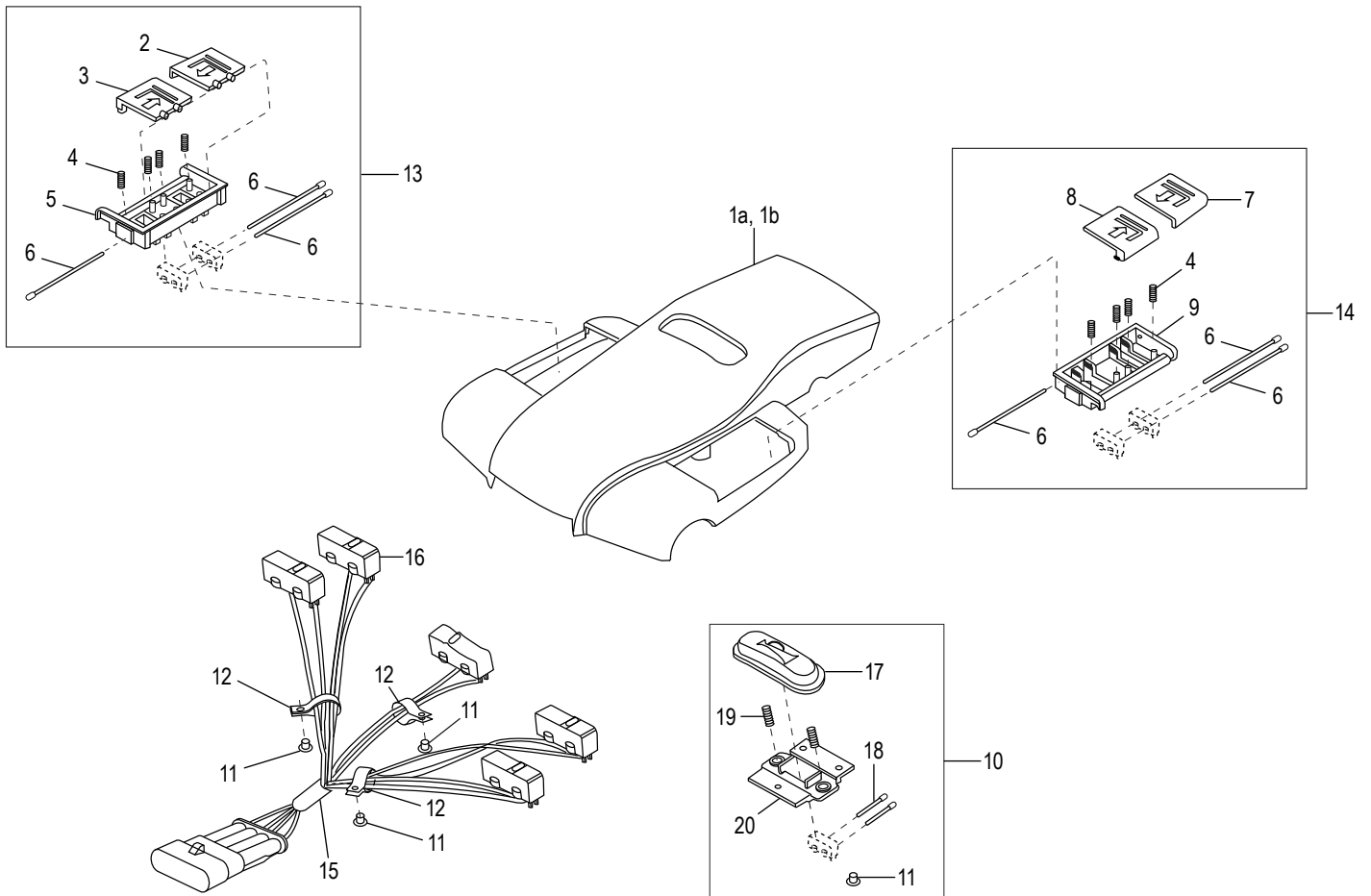


**BIG JOE^{MD} – TRANSPALETTE
ÉLECTRIQUE – 3 000 LB****LISTE DES PIÈCES DE LA TÊTE DE COMMANDE
(À PARTIR DU N° DE SÉRIE 427102395)**

| # | DESCRIPTION | QTÉ | RÉF. ULINE | RÉF. DU FABRICANT |
|----|---|-----|--------------|-------------------|
| 1 | Ensemble du couvercle avec faisceau | 1 | H-4710-CAPAS | 1115-341000-00-10 |
| 2 | Partie droite de la molette de commande | 1 | H-4710-RCK | 1115-340005-00 |
| 3 | Rondelle | 2 | H-4709-LW038 | 0000-000038-00 |
| 4 | Vis M3 x 12 | 2 | H-4709-SC037 | 0000-000037-00 |
| 5 | Bague | 2 | ----- | 1115-340006-00 |
| 6 | Partie gauche de la molette de commande | 1 | H-4710-LCK | 1115-340004-00 |
| 7 | Potentiomètre d'accélération | 1 | H-5028 | 1220-520008-0C |
| 8 | Boulon | 1 | ----- | 0000-000323-00 |
| 9 | Rondelle plate | 1 | H-4709-390 | 0000-000390-00 |
| 10 | Couvercle du faisceau de câblage | 1 | ----- | 1115-340007-00 |
| 11 | Câble de l'interrupteur de marche arrière | 1 | H-4709-0410 | 1115-52004-10 |
| 12 | Vis M2 x 12 ST | 2 | H-4709-M2X12 | 0000-000989-00 |
| 13 | Couvercle du bouton de sécurité | 1 | H-4710-COVER | 1115-340003-00 |
| 14 | Ressort | 2 | H-4710-0004 | 1121-310004-00 |
| 15 | Couvercle inférieur avec poignées (sans trou) | 1 | H-4710-HAND | 1115-340002-00 |
| 16 | Vis | 4 | H-4709-SC322 | 0000-000322-00 |
| 17 | Rondelle de blocage | 4 | H-4709-LW159 | 0000-000159-00 |
| 18 | Rondelle | 4 | H-4709-176 | 0000-000176-00 |
| 19 | Rondelle | 2 | H-4709-WCHA | 1115-340001-00 |
| 20 | Vis | 4 | H-4710-M5X20 | 0000-000035-00 |

**BIG JOE^{MD} – TRANSPALETTE
ÉLECTRIQUE – 3 000 LB**

COUVERCLES DE LA TÊTE DE COMMANDE

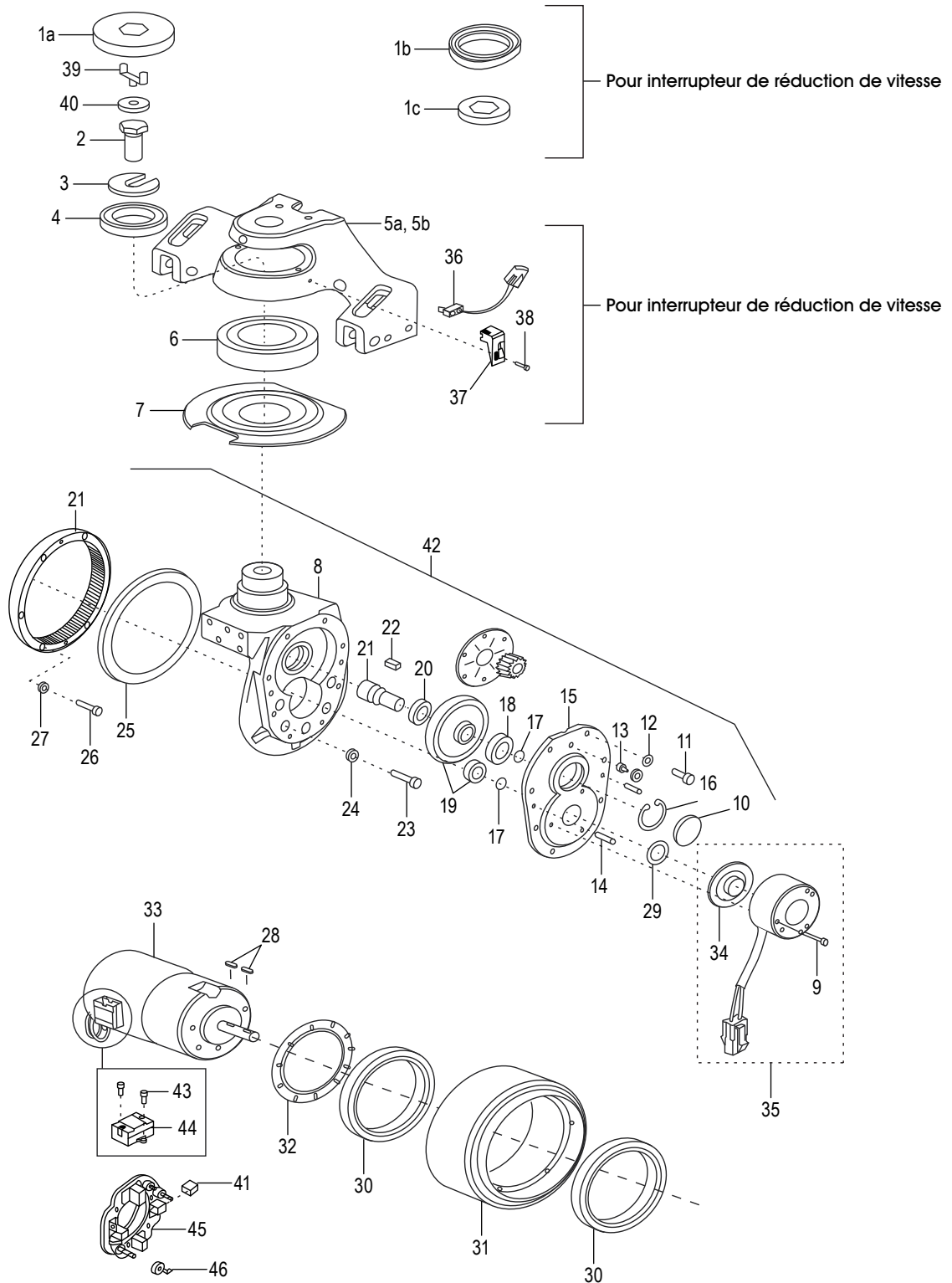


**BIG JOE^{MD} – TRANSPALETTE
ÉLECTRIQUE – 3 000 LB****LISTE DES PIÈCES DES COUVERCLES DE LA TÊTE DE COMMANDE**

| # | DESCRIPTION | QTÉ | RÉF. ULINE | RÉF. DU FABRICANT |
|----|--|-----|--------------|-------------------|
| 1a | Couvercle (utilisé jusqu'au n° de série 427102394) | 1 | H-4710-UPC | 1120-342001-00 |
| 1b | Couvercle (utilisé à partir du n° de série 427102395) | 1 | ----- | 1115-341001-00 |
| 2 | Bouton de levage (côté droit) | 1 | H-5023 | 1120-342203-00 |
| 3 | Bouton d'abaissement (côté droit) | 1 | H-5024 | 1120-342202-00 |
| 4 | Ressort | 8 | H-5025 | 1120-342102-00 |
| 5 | Support de bouton (côté droit) | 1 | ----- | 1120-342201-00 |
| 6 | Goupille | 6 | ----- | 1120-342105-00 |
| 7 | Bouton de levage (côté gauche) | 1 | H-5026 | 1120-342104-00 |
| 8 | Bouton d'abaissement (côté gauche) | 1 | H-5027 | 1120-342103-00 |
| 9 | Support de bouton (côté gauche) | 1 | ----- | 1120-342101-00 |
| 10 | Ensemble du bouton d'avertisseur Comprend : • Vis n° 11 (1) • Bouton d'avertisseur n° 17 (1) • Goupille n° 18 (2) • Ressort n° 19 (2) | 1 | ----- | 1120-342300-00 |
| 11 | Vis | 6 | ----- | 0000-000039-00 |
| 12 | Attache-fils | 3 | ----- | 0000-000490-00 |
| 13 | Boîtier de commande de levage/d'abaissement (côté droit) (interrupteurs non inclus) Comprend : • Bouton de levage (côté droit) n° 2 (1) • Bouton d'abaissement (côté droit) n° 3 (1) • Ressort n° 4 (4) • Support de bouton (côté droit) n° 5 (1) • Goupille n° 6 (3) | 1 | H-5022 | 1120-342200-00 |
| 14 | Boîtier de commande de levage/d'abaissement (côté gauche) (interrupteurs non inclus) Comprend : • Bouton de levage (côté gauche) n° 7 (1) • Bouton d'abaissement (côté gauche) n° 8 (1) • Ressort n° 4 (4) • Support de bouton (côté gauche) n° 9 (1) • Goupille n° 6 (3) | 1 | H-5021 | 1120-342100-00 |
| 15 | Ensemble du micro-interrupteur et du faisceau de la tête de commande | 1 | H-4709-CHSHQ | 1220-52006-0C |
| 16 | Interrupteur | 5 | H-4709-MSWQ | 1220-560002-00 |
| 17 | Bouton d'avertisseur | 1 | ----- | 1120-342002-00 |
| 18 | Goupille | 2 | ----- | 1120-342005-00 |
| 19 | Ressort | 2 | ----- | 1120-342003-00 |
| 20 | Support de bouton | 1 | ----- | 1120-342004-00 |

**BIG JOE^{MD} – TRANSPALETTE
ÉLECTRIQUE – 3 000 LB**

**BOÎTIER DE TRANSMISSION/FREIN MOTEUR
(JUSQU'AU N° DE SÉRIE 426150000)**



**BIG JOE^{MD} – TRANSPALETTE
ÉLECTRIQUE – 3 000 LB****LISTE DES PIÈCES DU BOÎTIER DE TRANSMISSION/FREIN MOTEUR
(JUSQU'AU N° DE SÉRIE 426150000)**

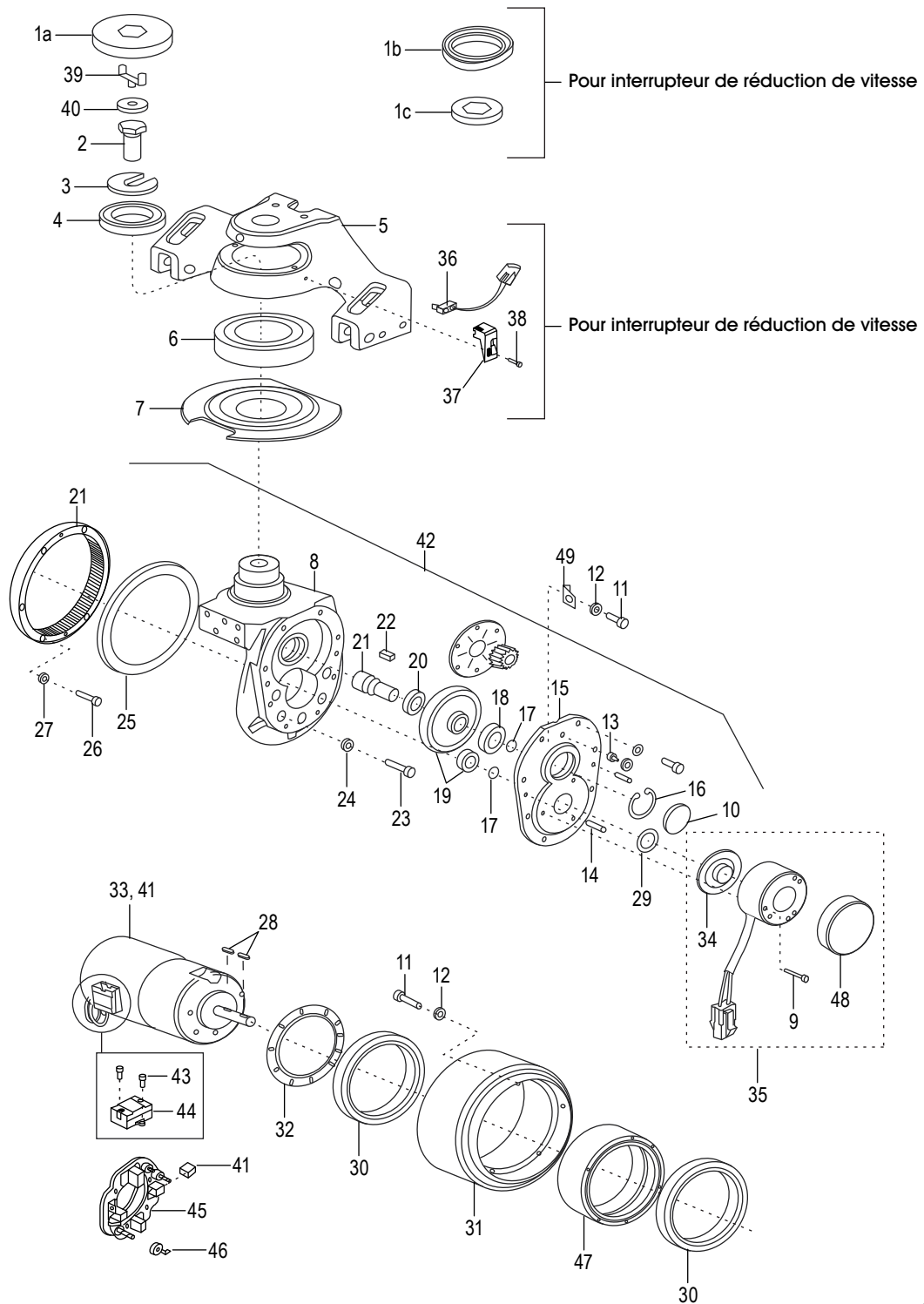
| # | DESCRIPTION | QTÉ | RÉF. ULINE | RÉF. DU FABRICANT |
|----|--|-----|--------------|-------------------|
| 1a | Rondelle en caoutchouc (utilisé jusqu'au 24-10-2012) | 1 | ----- | 1115-200012-00 |
| 1b | Guide (facultatif si le transpalette a un interrupteur de réduction de vitesse) | 1 | ----- | 1115-700002-00 |
| 1c | Pièce de connexion (facultatif si le transpalette a un interrupteur de réduction de vitesse) | 1 | ----- | 1115-700003-00 |
| 2 | Boulon | 1 | ----- | 1115-200011-00 |
| 3 | Plaque | 1 | H-4709-PLATE | 1115-200009-0A |
| 4 | Roulement | 1 | H-4709-BEAR | 0000-000657-00 |
| 5a | Pont de charge (utilisé jusqu'au n° de série E2116209) | 1 | ----- | 1115-200008-00 |
| 5b | Pont de charge (utilisé à partir du n° de série E2116210) | 1 | ----- | 1115-200008-0B |
| 6 | Roulement | 1 | ----- | 0000-000668-00 |
| 7 | Plaque-couvercle ronde | 1 | H-4709-RCP | 1115-200006-0A |
| 8 | Boîtier d'engrenages | 1 | H-4709-GEAR | 1115-210001-0A |
| 9 | Vis | 3 | ----- | 0000-000665-00 |
| 10 | Bouchon de transmission | 1 | ----- | 1115-200007-00 |
| 11 | Vis | 8 | H-4709-SC386 | 0000-000386-00 |
| 12 | Rondelle | 8 | ----- | 0000-000056-00 |
| 13 | Graisseur | 1 | H-4709-GRSFQ | 0000-000013-00 |
| 14 | Goupille | 2 | ----- | 0000-000704-00 |
| 15 | Couvercle du boîtier d'engrenages | 1 | H-4709-GCVR | 1115-200001-00 |
| 16 | Attache | 1 | ----- | 0000-000658-00 |
| 17 | Attache | 2 | H-4709-CM15 | 0000-000659-00 |
| 18 | Roulement | 1 | H-4709-BR619 | 0000-000667-00 |
| 19 | Ensemble d'engrenages en spirale (comprend deux engrenages) | 1 | H-4709-GK10 | 1115-GSX-10 |
| 20 | Roulement | 1 | H-4709-BR680 | 0000-000680-00 |
| 21 | Ensemble d'engrenages en spirale (comprend deux engrenages) | 1 | H-4709-GK20 | 1115-GSX-20 |
| 22 | Clé | 1 | H-4709-KY660 | 0000-000660-00 |
| 23 | Vis (utilisé jusqu'au 05-08-2012) | 5 | ----- | 0000-000154-00 |
| 23 | Vis (utilisé jusqu'au 05-09-2012) | 5 | ----- | 0000-000026-00 |
| 24 | Rondelle de blocage | 5 | H-4709-LW159 | 0000-000159-00 |
| 25 | Joint étanche à l'huile | 1 | H-4709-OSEAL | 0000-000670-00 |
| 26 | Vis | 6 | H-4709-SC661 | 0000-000661-00 |
| 27 | Rondelle | 6 | H-4709-206 | 0000-000206-00 |
| 28 | Rainure de clavette | 2 | H-4709-KEY | 0000-000662-00 |
| 29 | Joint étanche à l'huile | 1 | H-4709-29 | 0000-000671-00 |
| 30 | Roulement | 2 | H-4709-61824 | 0000-000663-00 |
| 31 | Roue motrice | 1 | H-4709DW | 1115-220000-00 |

**BIG JOE^{MD} – TRANSPALETTE
ÉLECTRIQUE – 3 000 LB****LISTE DES PIÈCES DU BOÎTIER DE TRANSMISSION/FREIN MOTEUR (SUITE)
(JUSQU'AU N° DE SÉRIE 426150000)**

| # | DESCRIPTION | QTÉ | RÉF. ULINE | RÉF. DU FABRICANT |
|----|--|-----|--------------|-------------------|
| 32 | Défecteur d'entraînement | 1 | H-4709-BAFFL | 1115-200010-00 |
| 33 | Moteur d'entraînement (remplacé par 1115-250000-00) | 1 | ----- | 1115-230000-00 |
| 33 | Moteur d'entraînement | 1 | H-4709-DMTR | 1115-250000-00 |
| 34 | Disque de frein | 1 | ----- | 1115-240001-00 |
| 35 | Système de freinage (remplacé par 1115-520012-0A) Comprend : • Vis n° 9 (1) • Disque de frein n° 34 (1) | 1 | H-4709BASSY | 1115-520012-00 |
| 36 | Interrupteur et faisceau de réduction de vitesse (seulement si le transpalette a un interrupteur de réduction de vitesse) | 1 | ----- | 1115-520018-00 |
| 37 | Socle de fixation (seulement si le transpalette a un interrupteur de réduction de vitesse) | 1 | ----- | 1115-700001-00 |
| 38 | Vis M4 x 10 (seulement si le transpalette a un interrupteur de réduction de vitesse) | 2 | ----- | 0000-000701-00 |
| 39 | Guide-fil (utilisé à partir du 25-10-2012) | 1 | ----- | 1115-500012-00 |
| 40 | Rondelle plate M8 | 1 | H-4709-M8FWS | 0000-001007-00 |
| 41 | Brosse pour moteur d'entraînement (vendu à l'unité) | 4 | ----- | 1115-230001-00 |
| 41 | Brosse pour moteur d'entraînement (utilisé à partir du 05-09-2012) | 4 | ----- | 1115-250001-00 |
| 42 | Ensemble d'unité d'entraînement (comprend n° 8 à 35) | 1 | H-4709-DUA | 1115-200000-00 |
| 43 | Vis | 2 | H-4709-004 | 0000-000004-00 |
| 44 | Bloc de jonction | 1 | H-4709-TBLCK | 1115-231000-00 |
| 45 | Porte-brosse (utilisé à partir du 05-09-2012) | 1 | ----- | 1115-250003-00 |
| 46 | Ressort – Brosse de moteur (utilisé à partir du 06-09-2012) | 4 | ----- | 1115-250002-00 |
| | Guide (non illustré) (facultatif si le transpalette a un interrupteur de réduction de vitesse) | 1 | ----- | 1115-700002-00 |
| | Pièce de connexion (non illustré) (facultatif si le transpalette a un interrupteur de réduction de vitesse) | 1 | ----- | 1115-700003-00 |
| | Attache (non illustré) | 1 | H-4709-TNKCL | 1115-560018-00 |
| | Plaque-couvercle (non illustré) | 1 | H-4709CPLATE | 115BG-500001-00 |

**BIG JOE^{MD} – TRANSPALETTE
ÉLECTRIQUE – 3 000 LB**

**BOÎTIER DE TRANSMISSION/FREIN MOTEUR
(À PARTIR DU N° DE SÉRIE 426150001)**



**BIG JOE^{MD} – TRANSPALETTE
ÉLECTRIQUE – 3 000 LB****LISTE DES PIÈCES DU BOÎTIER DE TRANSMISSION/FREIN MOTEUR
(À PARTIR DU N° DE SÉRIE 426150001)**

| # | DESCRIPTION | QTÉ | RÉF. ULINE | RÉF. DU FABRICANT |
|-----|---|-----|--------------|-------------------|
| 1a | Rondelle en caoutchouc (utilisé jusqu'au 24-10-2012) | 1 | ----- | 1115-200012-00 |
| 1b | Guide (facultatif si le transpalette a un interrupteur de réduction de vitesse) | 1 | ----- | 1115-700002-00 |
| 1c | Pièce de connexion (facultatif si le transpalette a un interrupteur de réduction de vitesse) | 1 | ----- | 1115-700003-00 |
| 2 | Boulon | 1 | ----- | 1115-200011-00 |
| 3 | Plaque | 1 | H-4709-PLATE | 1115-200009-0A |
| 4 | Roulement | 1 | H-4709-BEAR | 0000-000657-00 |
| 5 | Pont de charge | 1 | ----- | 1115-200008-0B |
| 6 | Roulement | 1 | ----- | 0000-000668-00 |
| 7a | Plaque-couvercle ronde (utilisé jusqu'au n° de série 4281002525) | 1 | H-4709-RCP | 1115-200006-0A |
| 7b | Plaque-couvercle ronde (utilisé à partir du n° de série 4281002525) | 1 | ----- | 1115-200006-10 |
| 8 | Boîtier d'engrenage | 1 | H-4709-GEAR | 1115-210001-0A |
| 9 | Vis (utilisé jusqu'au n° de série 426200143) | 3 | ----- | 0000-000665-00 |
| 9 | Vis M4 x 45 (utilisé à partir du n° de série 426200144) | 3 | H-7505-M4X45 | 1115-240003-0A |
| 10 | Bouchon de transmission | 1 | ----- | 1115-200007-00 |
| 11 | Vis (utilisé jusqu'au n° de série 427211547) | 8 | H-4709-SC386 | 0000-000386-00 |
| 12 | Rondelle | 8 | ----- | 0000-000056-00 |
| 13 | Graisneur | 1 | ----- | 0000-000013-00 |
| 14 | Goupille | 2 | ----- | 0000-000704-00 |
| 15 | Couvercle du boîtier d'engrenages | 1 | H-4709-GCVR | 1115-200001-00 |
| 16 | Attache | 1 | ----- | 0000-000658-00 |
| 17 | Attache | 2 | H-4709-GK10 | 0000-000659-00 |
| 18 | Roulement | 1 | H-4709-BR619 | 0000-000667-00 |
| 19 | Ensemble d'engrenages en spirale (comprend deux engrenages) | 1 | H-4709-GK10 | 1115-GSX-10 |
| 20 | Roulement | 1 | H-4709-BR680 | 0000-000680-00 |
| 21 | Ensemble d'engrenages en spirale (utilisé jusqu'au n° de série 427211547) (comprend deux engrenages) | 1 | H-4709-GK20 | 1115-GSX-20 |
| 21 | Ensemble d'engrenages en spirale (utilisé à partir du n° de série 427211548) (comprend deux engrenages) | 1 | H-4709-GK2A | 1115-GSX-2A |
| 22 | Clé du système de freinage | 1 | H-4709-KY660 | 0000-000660-00 |
| 23 | Vis | 5 | ----- | 0000-000026-00 |
| 24 | Rondelle de blocage | 5 | H-4709-LW159 | 0000-000159-00 |
| 25 | Joint étanche à l'huile | 1 | ----- | 0000-001788-00 |
| 26a | Vis d'assemblage à tête Allen M5 x 25 (utilisé jusqu'au n° de série 427211547) | 6 | H-4709-M5X25 | 3020-010000-91 |

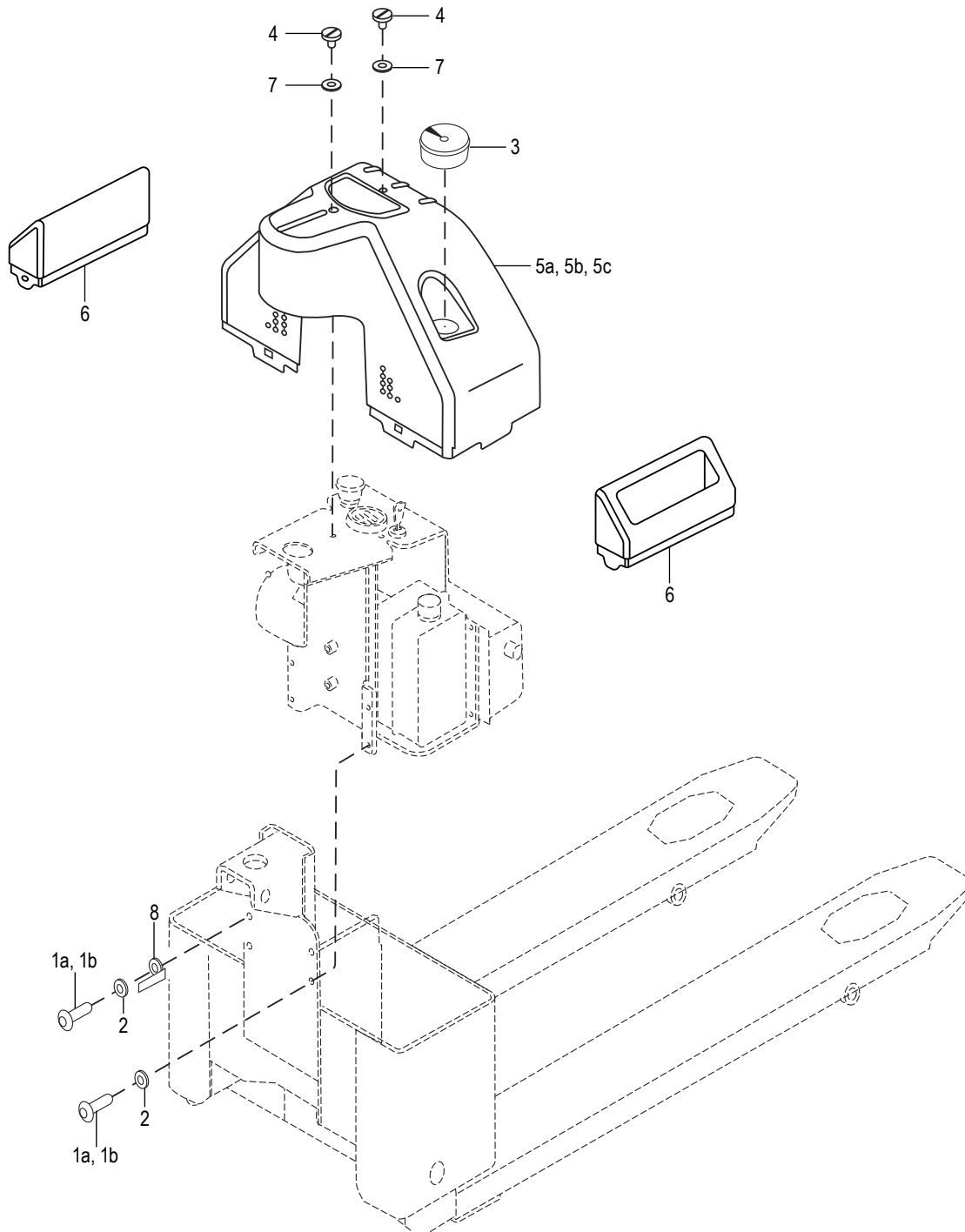
**LISTE DES PIÈCES DU BOÎTIER DE TRANSMISSION/FREIN MOTEUR (SUITE)
(À PARTIR DU N° DE SÉRIE 426150001)**

| # | DESCRIPTION | QTÉ | RÉF. ULINE | RÉF. DU FABRICANT |
|-----|--|-----|--------------|-------------------|
| 26b | Vis d'assemblage à tête Allen M5 x 25 (utilisé à partir du n° de série 427211547) | 6 | ----- | 1115-200021-D0 |
| 27 | Rondelle | 6 | H-4709-206 | 0000-000206-00 |
| 28 | Rainure de clavette | 2 | H-4709-KEY | 0000-000662-00 |
| 29 | Joint étanche à l'huile | 1 | H-4709-29 | 0000-000671-00 |
| 30 | Roulement | 2 | H-4709-61824 | 0000-000663-00 |
| 31 | Roue motrice (remplacé par 1115-220000-D0) (utilisé jusqu'au n° de série 427211547) | 1 | H-7515 | 1115-220000-A0 |
| 32 | Défecteur d'entraînement | 1 | H-4709-BAFFL | 1115-200010-00 |
| 33 | Moteur d'entraînement | 1 | H-4709-DMTR | 1115-250000-00 |
| 34 | Disque de frein | 1 | ----- | 1115-240001-00 |
| 35 | Système de freinage (remplacé par 1115-520012-0A) (utilisé jusqu'au n° de série 426200143) Comprend : • Vis n° 9 (1) • Disque de frein n° 34 (1) • Joint racleur n° 48 (1) (utilisé à partir du numéro de série 426200144) | 1 | H-4709BASSY | 1115-520012-00 |
| 36 | Interrupteur et faisceau de réduction de vitesse (facultatif si le transpalette a un interrupteur de réduction de vitesse) | 1 | ----- | 1115-520018-00 |
| 37 | Socle de fixation (facultatif si le transpalette a un interrupteur de réduction de vitesse) | 1 | ----- | 1115-700001-00 |
| 38 | Vis M4 x 10 (facultatif si le transpalette a un interrupteur de réduction de vitesse) | 2 | ----- | 0000-000701-00 |
| 39 | Guide-fil | 1 | H-4709-WRGD | 1115-500012-00 |
| 40 | Rondelle plate M8 | 1 | ----- | 0000-001007-00 |
| 41 | Brosses pour moteur d'entraînement | 4 | ----- | 1115-250001-00 |
| 42 | Ensemble d'unité d'entraînement Comprend : • Moteur • Roue • BR (n° 8 à 35) | 1 | H-4709-GEAR | 1115-200000-A0 |
| 43 | Vis | 2 | H-4709-004 | 0000-000004-00 |
| 44 | Bloc de jonction | 1 | H-4709-TBLCK | 1115-231000-00 |
| 45 | Porte-brosse | 1 | ----- | 1115-250003-00 |
| 46 | Ressort – Brosse de moteur | 4 | ----- | 1115-250002-00 |
| 47 | Jante interne (utilisé jusqu'au n° de série 427211547) | 1 | H-4709-IRIM | 1115-200001-A0 |
| 48 | Joint racleur (utilisé à partir du n° de série 426200144) | 1 | ----- | 1115-240002-0A |
| 49 | Plaque (utilisé à partir du n° de série 427190827) | 1 | ----- | 1115-200020-00 |

**LISTE DES PIÈCES DU BOÎTIER DE TRANSMISSION/FREIN MOTEUR (SUITE)
(À PARTIR DU N° DE SÉRIE 42615001)**

| # | DESCRIPTION | QTÉ | RÉF. ULINE | RÉF. DU FABRICANT |
|---|--|-----|--------------|-------------------|
| | Pièce de connexion (non illustré) (facultatif si le transpalette a un interrupteur de réduction de vitesse) | 1 | ----- | 1115-700003-00 |
| | Vis M6 x 25 (non illustré) (utilisé à partir du n° de série 427211548) | 8 | H-4709-M6X25 | 1115-200022-D0 |
| | Vis M6 x 25 (non illustré) (utilisé à partir du n° de série 427211548) | 6 | H-4709-M6X25 | 1115-200022-D0 |
| | Roue motrice (non illustré) (utilisé à partir du n° de série 427211548) | 1 | H-4709-DW2 | 1115-220000-D0 |
| | Roue motrice, profilée (non illustré) (utilisé jusqu'au n° de série 427211547) (pour le n° de série 42615001 et supérieur) | 1 | ----- | 1115-220000-B0 |
| | Roue motrice, profilée (non illustré) (utilisé à partir du n° de série 427211548) | 1 | H-7505-DRIVQ | 1115-220000-E0 |
| | Système de freinage (non illustré) (utilisé entre les n°s de série 426200144 et 427190826) | 1 | H-4709BASSY | 1115-520012-0A |
| | Système de freinage (non illustré) (utilisé entre les n°s de série 426200144 et 427190827) | 1 | ----- | 1115-520012-10 |
| | Jante interne (non illustré) (utilisé à partir du n° de série 427211548) | 1 | H-4709-IR | 1115-200001-D0 |

COUVERCLE DU CAISSON

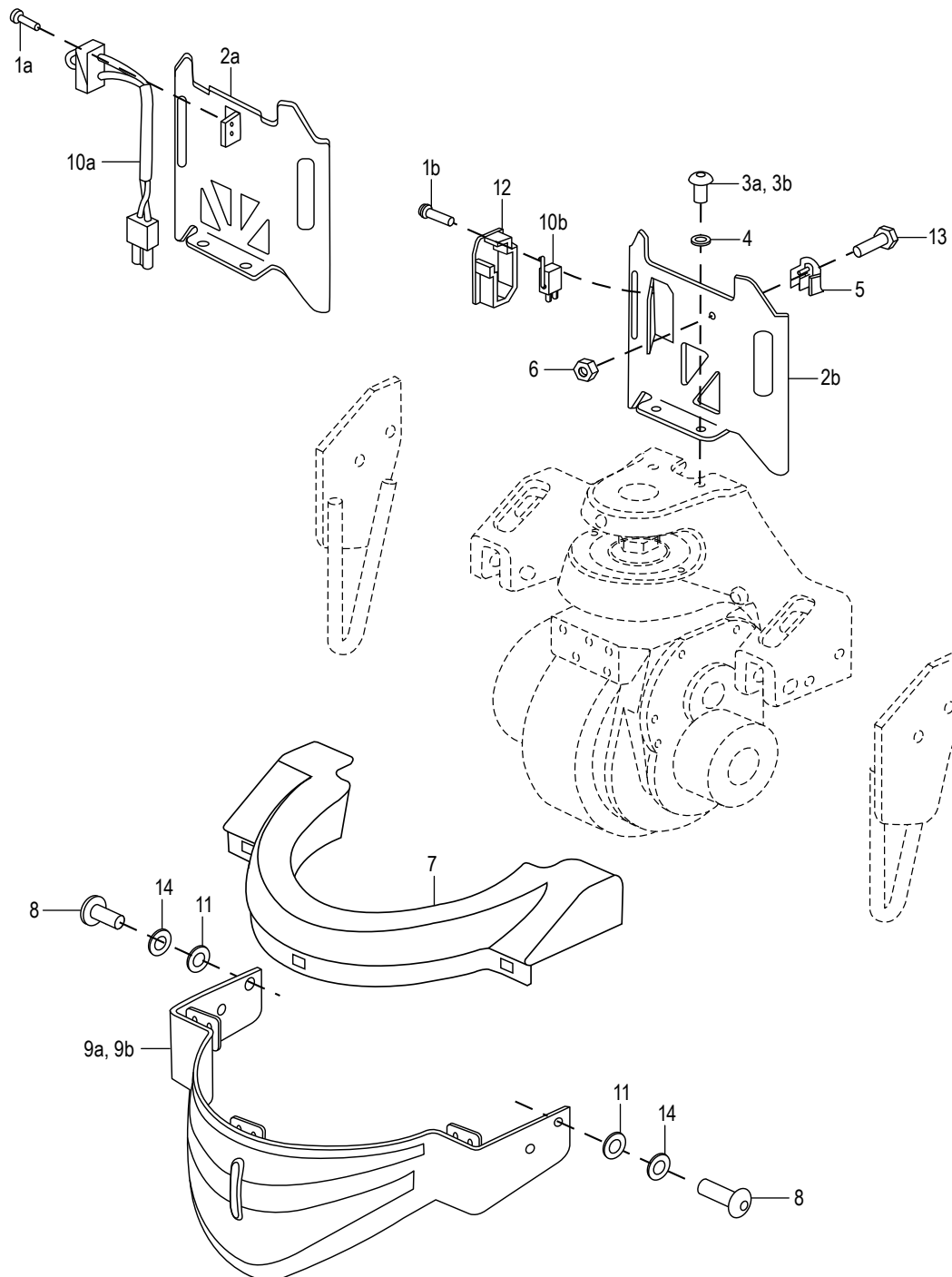


LISTE DES PIÈCES DU COUVERCLE DU CAISSON

| # | DESCRIPTION | QTÉ | RÉF. ULINE | RÉF. DU FABRICANT |
|----|---|-----|--------------|-------------------|
| 1a | Vis (utilisé jusqu'au 24-10-2012) | 4 | ----- | 0000-000179-00 |
| 1b | Vis (utilisé à partir du 25-10-2012) | 4 | H-4709-7700 | 0000-000077-00 |
| 2 | Rondelle plate | 4 | H-4709-M6WSH | 0000-000123-00 |
| 3 | Capuchon du chargeur | 1 | H-4709CAP | 1115-120002-00 |
| 4a | Vis M6 x 25 (utilisé jusqu'au n° de série 427153083) | 2 | H-4710-SCREW | 1120-150004-00 |
| 4b | Vis M6 x 16 (utilisé à partir du n° de série 427153083) | 2 | ----- | 1120-150004-00 |
| 5a | Couvercle – Big Joe, jaune | 1 | H-4709COVER | 1115-120001-00 |
| 5b | Couvercle – EP, rouge | 1 | ----- | 1115-120001-00-01 |
| 5c | Couvercle RAL 2008, orange | 1 | H-4709-02 | 1115-120001-00-02 |
| 6 | Couvercle (remplacé par 1115-120003-N0) (utilisé jusqu'au n° de série 424191006) | 2 | ----- | 1115-120003-00 |
| 7 | Rondelle | 2 | H-4710-10WSH | 2214-150002-00 |
| 8 | Borne serre-fil (utilisé à partir du 25-10-2012 et plus tard) | 1 | ----- | 1115-500013-00 |
| | Compartiment de rangement E30 – Big Joe, jaune (non illustré) (utilisé à partir du n° de série 424191007) | 2 | H-4709SCOVER | 1115-120003-n0 |
| | Couvercles latéraux – Rouge (non illustré) (utilisé à partir du n° de série 424191006) | 2 | ----- | 1115-120003-00-01 |
| | Compartiment de rangement E30 – Rouge (non illustré) (utilisé à partir du n° de série 424191007) | 2 | ----- | 1115-120003-n0-01 |
| | Couvercle (non illustré) (utilisé à partir du n° de série 424191006) | 2 | ----- | 1115-120003-00-02 |
| | Couvercle, compartiment de rangement RAL 2008, orange (non illustré) (utilisé à partir du n° de série 424191007) | 2 | ----- | 1115-120003-n0-02 |

**BIG JOE^{MD} – TRANSPALETTE
ÉLECTRIQUE – 3 000 LB**

CAISSON
(JUSQU'AU N° DE SÉRIE 427190907)

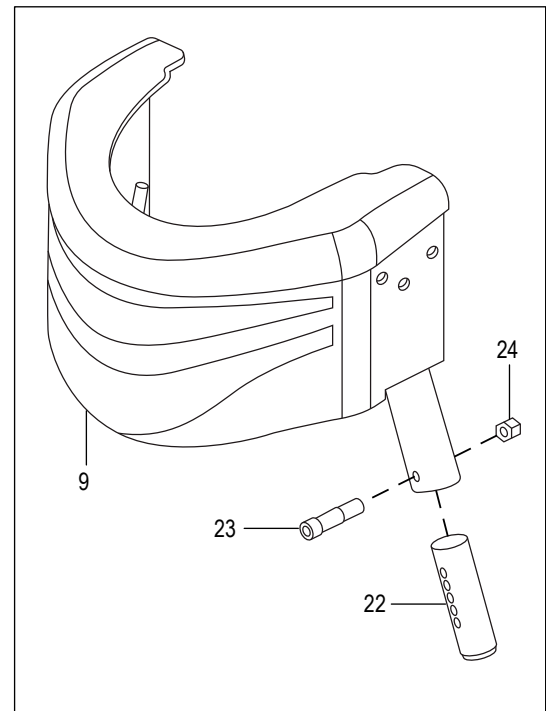
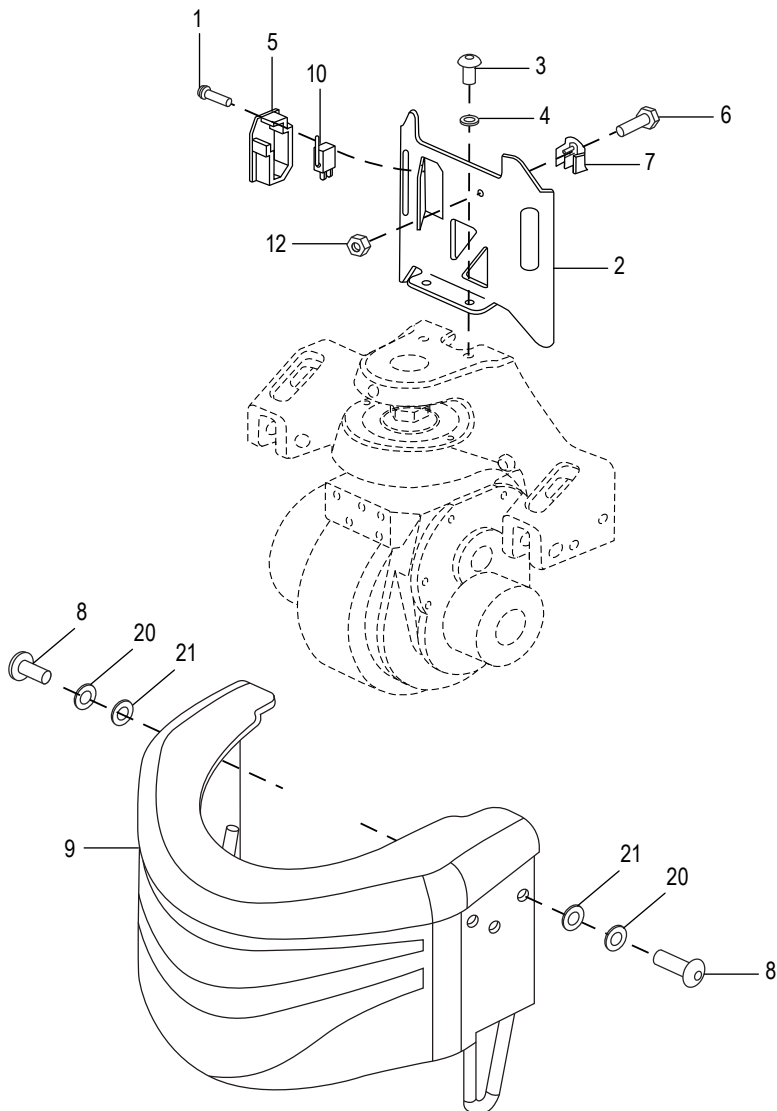


**LISTE DES PIÈCES DU CAISSON
(JUSQU'AU N° DE SÉRIE 42719097)**

| # | DESCRIPTION | QTÉ | RÉF. ULINE | RÉF. DU FABRICANT |
|-----|---|-----|--------------|-------------------|
| 1a | Vis M2 x 12 ST (utilisé jusqu'au n° de série E2120047) | 2 | H-4709-M2X12 | 0000-000989-00 |
| 1b | Vis M3 x 20 (utilisé à partir du n° de série E2120048) | 2 | ----- | 0000-000981-00 |
| 2a | Support (utilisé jusqu'au n° de série E2120047) | 1 | ----- | 1115-540000-00 |
| 2b | Support (utilisé à partir du n° de série E2120048) | 1 | H-4709-PBRKT | 1115-500015-00 |
| 3a | Vis (utilisé jusqu'au 01-02-2012) | 2 | ----- | 0000-000179-00 |
| 3b | Vis (utilisé jusqu'au 01-02-2012) | 2 | H-4709-7700 | 0000-000077-00 |
| 4 | Rondelle plate | 2 | H-4709-M6WSH | 0000-000123-00 |
| 5 | Borne serre-fil (utilisé à partir du n° de série E2120048) | 1 | H-4709-WCLMP | 1115-500011-00 |
| 6 | Écrou (utilisé à partir du n° de série E2120048) | 1 | H-4709-NUT | 0000-000923-00 |
| 7 | Couvercle | 1 | H-4709-BLCVR | 1115-121001-00 |
| 8a | Vis M10 x 25 (utilisé jusqu'au n° de série 424210638) | 6 | ----- | 0000-000655-00 |
| 8b | Vis M10 x 25 ; tête (utilisé à partir du n° de série 424210638) | 6 | H-4709M10X25 | 0000-000494-00 |
| 9a | Couvercle (remplacé par 1115-121100-0A) (utilisé à partir du n° de série E2221098) | 1 | ----- | 1115-121100-00 |
| 9b | Protection de la roue motrice (utilisé à partir du n° de série E2221099) | 1 | H-4709-TCOWL | 1115-121100-0A |
| 10a | Interrupteur de fin de course (utilisé à partir du n° de série E2120047) | 1 | ----- | 1115-520006-00 |
| 10b | Interrupteur de fin de course (utilisé à partir du n° de série E2120048) | 1 | H-4709SLIMIT | 1115-500017-00 |
| 11 | Rondelle plate | 6 | H-4709-FWASH | 0000-000007-00 |
| 12 | Support (utilisé à partir du n° de série E2120048) | 1 | H-4709-CLAMP | 1115-500014-00 |
| 13 | Boulon (utilisé à partir du n° de série E2120048) | 1 | H-4709-BOLT | 0000-000988-00 |
| 14 | Rondelle (utilisé à partir du n° de série E2221099) | 6 | H-4709-19 | 0000-000063-00 |

**BIG JOE^{MD} – TRANSPALETTE
ÉLECTRIQUE – 3 000 LB**

CAISSON (SUITE)
(À PARTIR DU N° DE SÉRIE 427190908)

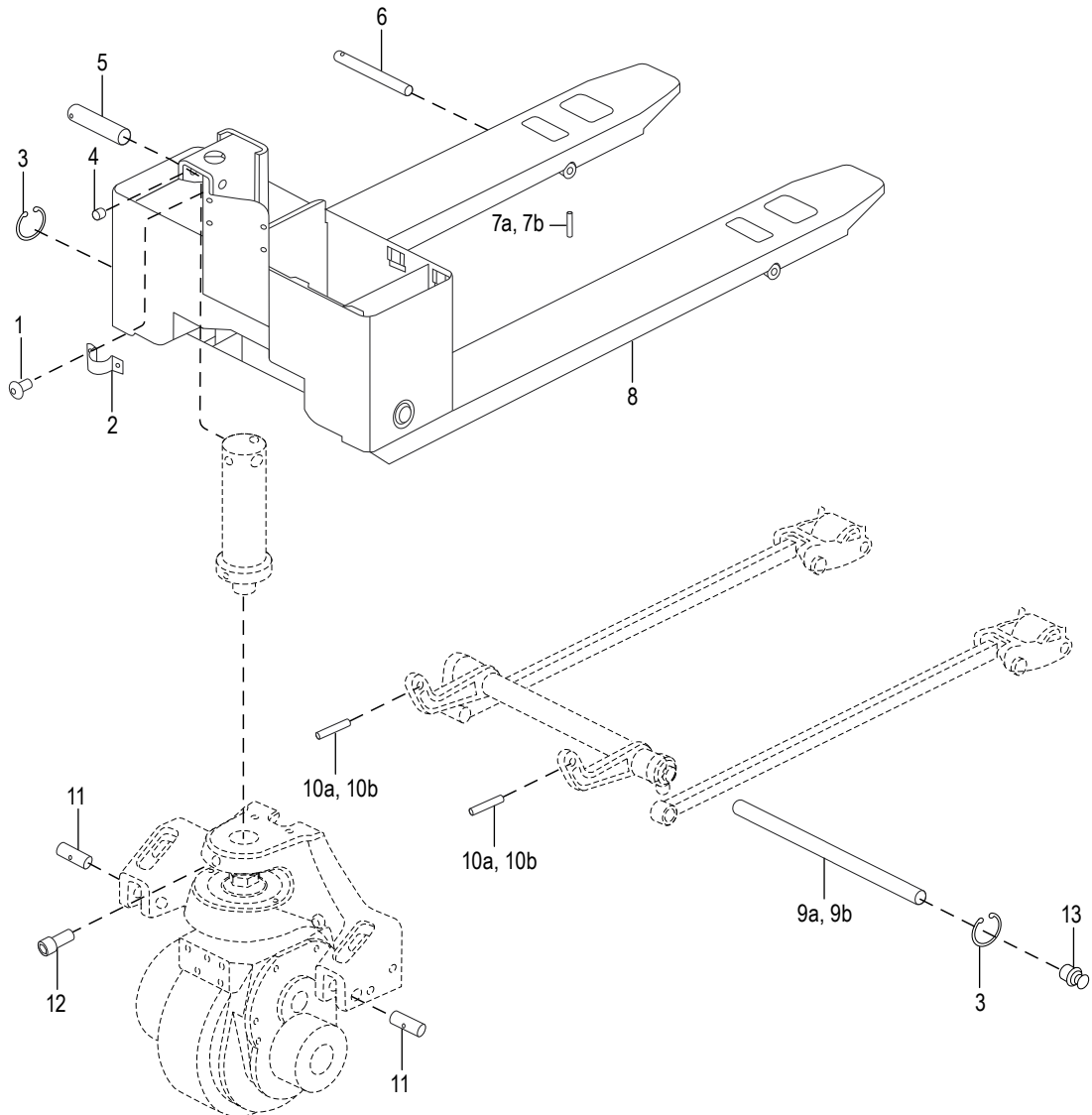


Optionnel

**LISTE DES PIÈCES DU CAISSON (SUITE)
(À PARTIR DU N° DE SÉRIE 427190908)**

| # | DESCRIPTION | QTÉ | RÉF. ULINE | RÉF. DU FABRICANT |
|----|--|-----|--------------|-------------------|
| 1 | Vis M3 x 20 | 2 | ----- | 0000-000981-00 |
| 2 | Attache de fixation | 1 | H-4709BRACKT | 1115-500015-00 |
| 3 | Vis | 2 | H-4709-7700 | 0000-000077-00 |
| 4 | Rondelle plate | 2 | H-4709-M6WSH | 0000-000123-00 |
| 5 | Support | 1 | H-4709-CLAMP | 1115-500014-00 |
| 6 | Boulon | 1 | H-4709-BOLT | 0000-000988-00 |
| 7 | Borne serre-fil, 2 câbles | 1 | ----- | 1115-500011-0A |
| 8 | Vis | 6 | H-4709-56 | 3020-000000-56 |
| 9 | Protection inférieure avec pieds de soutien | 1 | H-4709-LCBS | 1115-122000-A0 |
| 9 | Protection inférieure avec fixation en polyéthylène UHMW (optionnel – pièces d'insertion et matériel d'installation non compris) | 1 | H-4709-D0 | 1115-122000-D0 |
| 10 | Interrupteur de limite de levage | 1 | H-4709SLIMIT | 1115-500017-00 |
| 12 | Écrou | 1 | H-4709-NUT | 0000-000923-00 |
| 20 | Rondelle | 6 | H-4709-19 | 0000-000063-00 |
| 21 | Rondelle plate | 6 | ----- | 0000-000007-00 |
| 22 | Pièce d'insertion pour barre stabilisatrice ajustable (optionnel) | 2 | ----- | 1115-140005-K0 |
| 23 | Vis (optionnel) | 2 | ----- | 0000-001102-00 |
| 24 | Écrou (optionnel) | 2 | H-4705-4000 | 0000-000740-00 |
| | Rondelle plate (non illustré) | 2 | ----- | 0000-000373-00 |
| | Rondelle (non illustré) | 6 | H-4709-19 | 0000-000630-00 |
| | Ensemble de la roulette (non illustré) | 2 | ----- | 1115-160000-B0 |

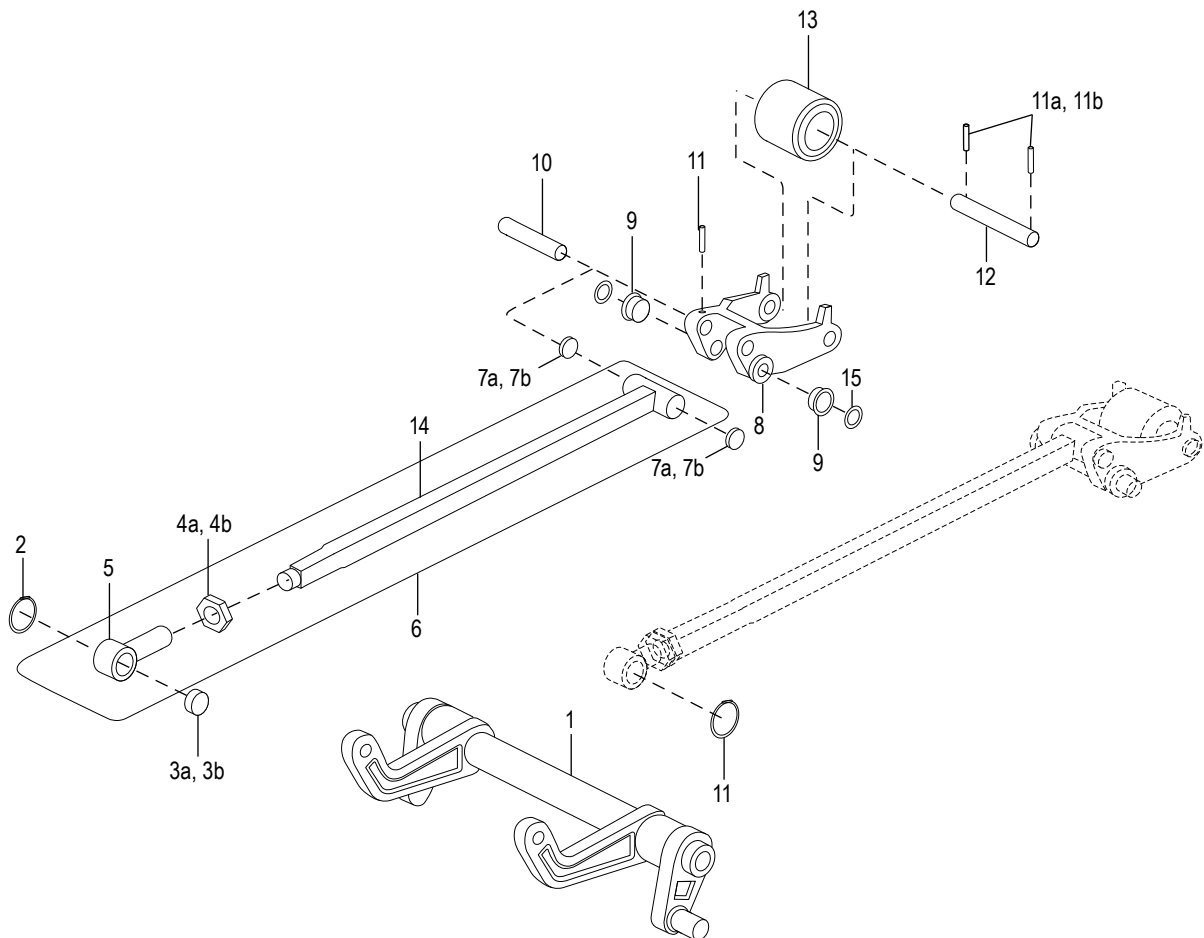
CHÂSSIS



LISTE DES PIÈCES DU CHÂSSIS

| # | DESCRIPTION | QTÉ | RÉF. ULINE | RÉF. DU FABRICANT |
|-----|--|-----|--------------|-------------------|
| 1 | Vis | 2 | H-4709-3 | 0000-000651-00 |
| 2 | Attache de fixation | 1 | ----- | 1115-500002-00 |
| 3 | Attache | 2 | H-4709-CLIP | 0000-000650-00 |
| 4 | Vis | 2 | H-4710-M6X8 | 0000-000016-00 |
| 5 | Goupille de fixation du vérin de levage | 1 | ----- | 1115-400001-00 |
| 6 | Arbre de tige de traction avant | 2 | H-4709-FPRS | 1115-1300004-0A |
| 7a | Goupille cylindrique (utilisé jusqu'au n° de série 424150330) | 2 | H-4709-RPIN | 0000-000708-00 |
| 7b | Goupille droite fendue de type ressort 5 x 30 (utilisé à partir du n° de série 424150331) | 2 | H-4709-M5X30 | 0000-001456-00 |
| 8 | Châssis avant | 1 | ----- | 1115-110000-40 |
| 9a | Arbre long de soutien (utilisé jusqu'au n° de série 427120607) | 1 | H-4709-RPRS | 1115-130002-40 |
| 9b | Arbre de tige de traction arrière E30 (utilisé à partir du n° de série 427120608) | 1 | ----- | 1115-130002-4B |
| 10a | Goupille ronde (utilisé jusqu'au n° de série 424150330) | 2 | H-4709-M4XM5 | 0000-000654-00 |
| 10b | Goupille cylindrique M4 x 45 (utilisé à partir du n° de série 424150331) | 2 | ----- | 0000-001458-00 |
| 11 | Tige de manche | 2 | H-4709-SHAFT | 1115-130001-00 |
| 12 | Vis (utilisé jusqu'au n° de série E2116209) | 1 | H-4709-SC032 | 0000-000032-00 |
| 12 | Vis (utilisé à partir du n° de série E2116210) | 1 | H-4709-15500 | 0000-000155-00 |
| 13 | Graisneur (utilisé à partir du n° de série 427120608) | 2 | ----- | 0000-000013-00 |

ENSEMBLE DE LA BIELLE DE LEVAGE

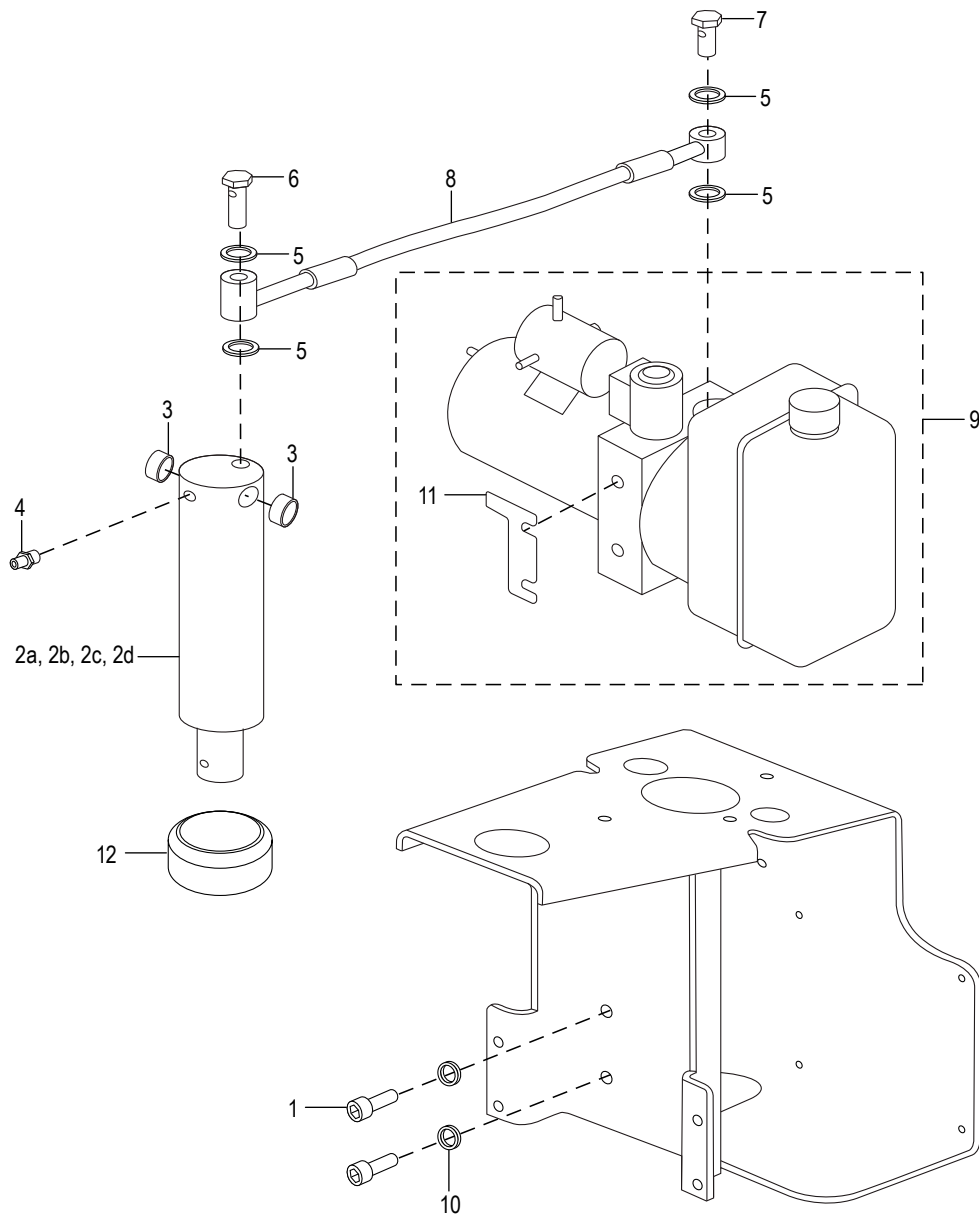


LISTE DES PIÈCES DE LA BIELLE DE LEVAGE

| # | DESCRIPTION | QTÉ | RÉF. ULINE | RÉF. DU FABRICANT |
|-----|---|-----|--------------|-------------------|
| 1 | Bielle inférieure 30 (fourche de 27 po de largeur) | 1 | ----- | 1115-131000-40 |
| 2 | Attache | 2 | H-4709-M25Q | 0000-000294-00 |
| 3a | Bague (utilisé jusqu'au 21-02-2012) | 2 | ----- | 0000-000675-00 |
| 3b | Bague (utilisé à partir du 22-02-2012) | 2 | ----- | 0000-000906-00 |
| 4a | Écrou (utilisé jusqu'au n° de série 427162916) | 2 | ----- | 0000-000101-00 |
| 4b | Écrou (utilisé à partir du n° de série 427162917) | 2 | ----- | 1121-132010-00 |
| 5 | Connecteur (comprend bague et écrou) | 2 | H-4709-CONN | 1115-132100-00 |
| 6 | Ensemble de la bielle longue – Fourche de 45 po | 2 | H-4709-LINK | 1115-132000-0B-04 |
| 7a | Bague (utilisé jusqu'au 21-02-2012) | 4 | H-4710-B2015 | 0000-000011-00 |
| 7b | Bague (utilisé à partir du 22-02-2012) | 4 | H-4709-BSH | 0000-000907-00 |
| 8 | Support de roue | 2 | H-4709WHLBRK | 1115-130005-4A |
| 9 | Bague (utilisé à partir du 22-02-2012) | 4 | H-4709-908Q | 0000-000908-00 |
| 10 | Axe de pivot du support de roue porteuse | 2 | H-4709LSHAFT | 1115-130003-00 |
| 11a | Goupille cylindrique (utilisé jusqu'au n° de série 424150330) | 4 | H-4709-RPIN | 0000-000708-00 |
| 11b | Goupille droite fendue de type ressort 5 x 30 (utilisé à partir du n° de série 424150331) | 4 | H-4709-M5X30 | 0000-001456-00 |
| 12 | Arbre de roue porteuse | 2 | H-4709WHLSHF | 1115-130007-40 |
| 13 | Ensemble de la roue porteuse avec roulements | 2 | H-4709LASSY | 1115-133000-40 |
| 14 | Longue tige | 2 | ----- | 1115-132200-00-04 |
| 15 | Rondelle – Deux par support 1115-130005-4A (utilisé à partir du 29-11-2013) | 1 | H-4709-008Q | 1115-130008-00 |
| | Roulement (non illustré) | 1 | H-4709BRNG | 0000-000020-00 |

**BIG JOE^{MD} – TRANSPALETTE
ÉLECTRIQUE – 3 000 LB**

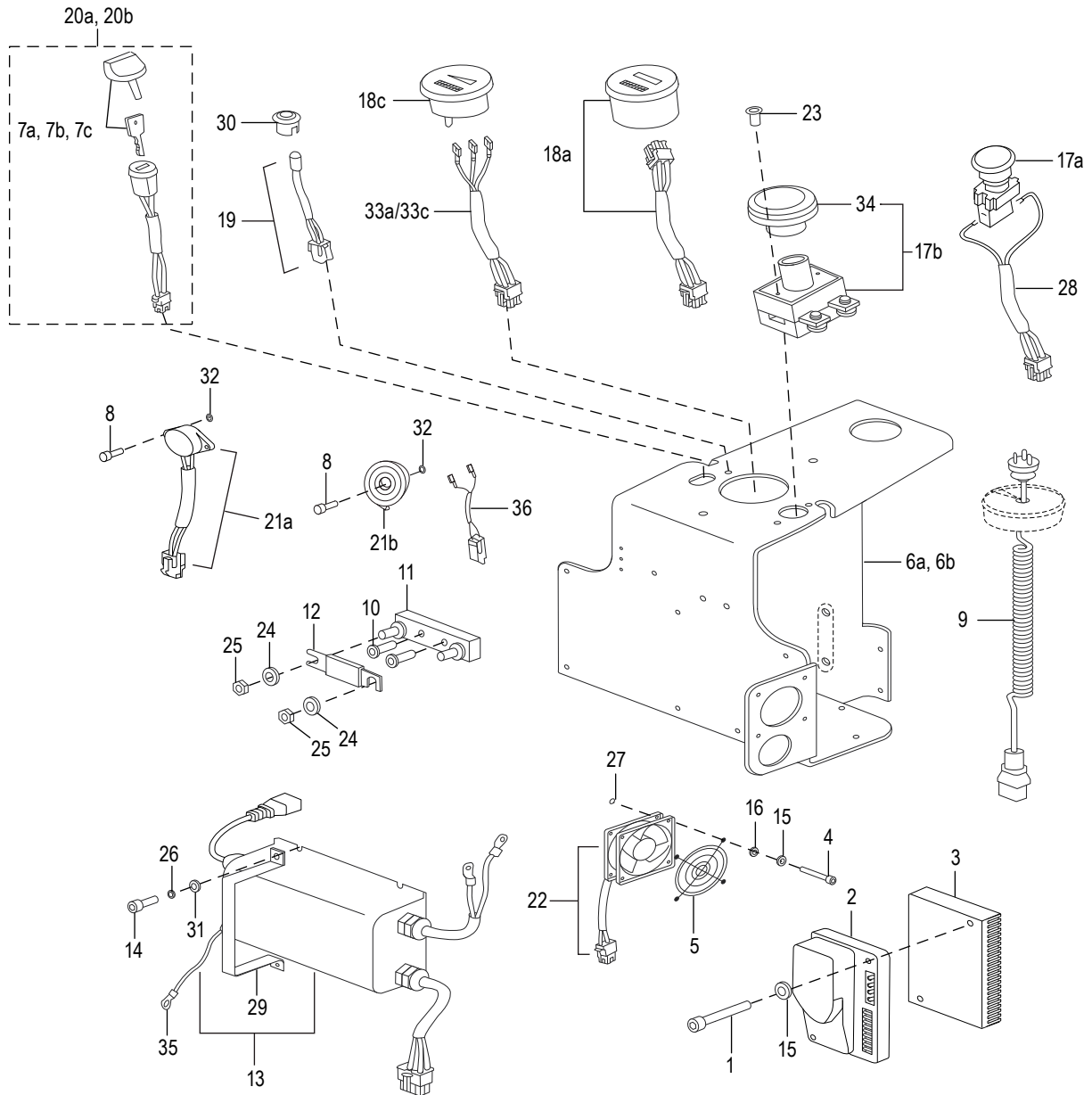
SYSTÈME HYDRAULIQUE



LISTE DES PIÈCES DU SYSTÈME HYDRAULIQUE

| # | DESCRIPTION | QTÉ | RÉF. ULINE | RÉF. DU FABRICANT |
|----|---|-----|--------------|-------------------|
| 1 | Vis | 2 | ----- | 0000-000109-00 |
| 2a | Vérin de levage (utilisé jusqu'au n° de série E2017219) | 1 | ----- | 1115-410000-00 |
| 2b | Vérin de levage (à utiliser avec n°s de série E2017220 à E2116209) | 1 | ----- | 1115-410000-0A |
| 2c | Vérin de levage (à utiliser avec n°s de série E2116210 à 426192437) | 1 | H-4709-LCYL | 1115-410000-0B |
| 2d | Vérin de levage (utilisé à partir du n° de série 426192438) | 1 | H-4709-CYLD | 1115-410000-0D |
| 3 | Bague | 2 | ----- | 0000-000705-00 |
| 4 | Graisser | 1 | ----- | 0000-000013-00 |
| 5 | Rondelle d'étanchéité | 4 | H-4709WASHER | 0000-000044-00 |
| 6 | Boulon | 1 | ----- | 2401-146000-00 |
| 7 | Boulon | 1 | ----- | 2401-143500-00 |
| 8 | Tuyau hydraulique | 1 | H-4709HOSE | 1115-420000-00 |
| 9 | Ensemble pompe et moteur (remplacé par 1115-430000-0A) Comprend : • Pompe (1) • Moteur (1) | 1 | H-4709-PUMP | 1115-510001-00 |
| 10 | Rondelle de blocage | 2 | H-4709-LW159 | 0000-000159-00 |
| 11 | Cale (utilisé à partir du n° de série 425190003) | 1 | H-4709-BAFF | 1115-511004-0A |
| 12 | Bloc (utilisé à partir du n° de série E21162010) | 1 | H-4708-BLCK | 1115-400002-0B |
| | Solénoïde du moteur de la pompe (non illustré) | 1 | H-4709PMPMTR | 1115-560002-00 |

SYSTÈME ÉLECTRIQUE



LISTE DES PIÈCES DU SYSTÈME ÉLECTRIQUE (SUITE)

| # | DESCRIPTION | QTÉ | RÉF. ULINE | RÉF. DU FABRICANT |
|-----|---|-----|--------------|-------------------|
| 1 | Vis | 2 | ----- | 0000-000665-00 |
| 2 | Dispositif de commande programmé pour E30 | 1 | H-4709-E30 | 1115-510004-00-40 |
| 3 | Dissipateur thermique | 1 | ----- | 1115-510005-0A |
| 4 | Vis | 4 | ----- | 0000-000121-00 |
| 5 | Voilette | 1 | ----- | 1115-500007-00 |
| 6a | Support (utilisé jusqu'au n° de série 4281000747) | 1 | ----- | 1115-511002-40 |
| 6b | Support (utilisé à partir du n° de série 4281000748) | 1 | ----- | 1115-511000-0C |
| 7a | Clés d'interrupteur tripolaire, jeu de 2 (utilisé uniquement sur les n°s de série : E2013117, E2013119, E2013120, E2013121, E2013123, E2013124, E2013125, E2013126, E2013127, E2013128, E2013133, E2013142, E2013143, E2014129, E2014131, E2014134, E2014147) | 2 | ----- | 1115-500008-00 |
| 7b | Jeu de clés en plastique moulé noir (remplacé par 1120-500016-00) (utilisé jusqu'au n° de série E2120047) | 2 | ----- | 1115-500010-00 |
| 7c | Clé en plastique moulé noir – Jeu de 2 (utilisé à partir du n° de série Ed2120048) | 2 | H-5031 | 1115-500016-00 |
| 8a | Vis (utilisé jusqu'au n° de série 4281403797) | 2 | ----- | 0000-000666-00 |
| 8b | Vis (utilisé à partir du n° de série 4281403798) | 2 | H-4709-004 | 0000-000004-00 |
| 9 | Câble du chargeur | 1 | H-4709CHRCBL | 1115-500006-10 |
| 10 | Vis | 2 | ----- | 0000-000126-00 |
| 11 | Porte-fusible | 1 | H-4709-FHLDR | 1120-540001-00-B |
| 12 | Fusible | 1 | H-4709-FUSE | 1115-510003-00 |
| 13 | Ensemble du chargeur 15 A | 1 | H-4709CHRGR | 1118-560006-00-01 |
| 14 | Vis | 4 | ----- | 0000-000031-00 |
| 15 | Rondelle de blocage 4 | 6 | H-7505-WASH4 | 0000-000122-00 |
| 16 | Rondelle plate 4 | 4 | ----- | 0000-000702-00 |
| 17a | Interrupteur d'arrêt d'urgence (remplacé par 1113-500012-01) (utilisé uniquement sur les n°s de série : E2013118, E2013122, E2013189, E2013190, E2013191, E2013192, E2013117, E2013119, E2013120, E2013121, E2013125, E2013128, E2013126, E2013123) | 1 | H-7505-ERSWQ | 3218-604000-00 |
| 17b | Interrupteur d'arrêt d'urgence (pour tous les transpalettes ne figurant pas au n° 17) | 1 | H-4779 | 1115-510008-00 |
| 18a | Ensemble d'indicateur de décharge de batterie (utilisé avant le n° de série 4311301787) Comprend : • Indicateur de décharge de batterie avec horomètre • Faisceau de câbles d'indicateur de décharge de batterie | 1 | H-4709-BDIKT | 901851 |
| 18c | Indicateur de décharge de batterie avec horomètre (utilisé à partir du n° de série 4311301787) | 1 | H-4710-BIMTR | 2105-500003-00 |
| 19 | Voyant à DEL | 1 | H-4709WHRNSS | 1115-520013-00 |

LISTE DES PIÈCES DU SYSTÈME ÉLECTRIQUE

| # | DESCRIPTION | QTÉ | RÉF. ULINE | RÉF. DU FABRICANT |
|-----|---|-----|--------------|-------------------|
| 20a | Interrupteur tripolaire avec 2 clés (utilisé uniquement sur les n ^{os} de série : E2013117, E2013119, E2013120, E2013121, E2013123, E2013124, E2013125, E2013126, E2013127, E2013128, E2013133, E2013142, E2013143, E2014129, E2014131, E2014134, E2014147. REMARQUES : E30 & S22) | 1 | H-4709-SASSQ | 1115-520003-00 |
| 20b | Interrupteur à clé bipolaire (utilisé jusqu'au n ^o de série E2120047) | 1 | ----- | 1115-520003-0A |
| 20c | Interrupteur à clé (utilisé à partir du n ^o de série E2120048) | 1 | H-4709KEYSWT | 1115-520019-0A |
| 21a | Ensemble de l'avertisseur (klaxon) (utilisé jusqu'au n ^o de série 4281403797) | 1 | H-4709-BZASM | 1115-520015-00 |
| 21b | Klaxon (utilisé à partir du n ^o de série 4281403798) | 1 | H-4710-HORN | 1120-500003-0A |
| 22 | Ventilateur | 1 | H-4709-FAN | 1115-520007-00 |
| 23 | Vis M5 x 10 | 2 | H-4709-22 | 0000-000616-00 |
| 24 | Rondelle plate | 2 | H-4709-FW | 0000-000194-00 |
| 25 | Écrou | 2 | ----- | 0000-000196-00 |
| 26 | Rondelle | 4 | H-4709-206 | 0000-000206-00 |
| 27 | Joint torique | 4 | ----- | 0000-001133-00 |
| 28 | Interrupteur d'arrêt d'urgence (utiliser le n ^o 17) | 1 | ----- | 1115-520011-00 |
| 29 | Support de chargeur (utilisé à partir du 15-08-2012) | 2 | ----- | 1115-500009-00 |
| 30 | Douille du voyant à DEL | 1 | H-4709SOCKET | 1115-510009-00 |
| 31 | Rondelle plate | 4 | H-4709-FW128 | 0000-000128-00 |
| 32 | Joint torique | 2 | ----- | 0000-001134-00 |
| 33a | Faisceau de câbles d'indicateur de décharge de batterie (utilisé jusqu'au numéro de série 431101787) | 1 | H-4709-BDIQ | 1115-520005-0A |
| 33c | Faisceau de câbles d'indicateur de décharge de batterie (utilisé à partir du numéro de série 431101787) | 1 | H-4709-BDI | 1115-520005-20 |
| 34 | Interrupteur, bouton uniquement | 1 | H-4709BUTTNG | 1115-510008-10 |
| 35 | Fil de mise à la terre (utilisé à partir du n ^o de série 426191250) | 1 | ----- | 1115-520021-00 |
| 36 | Faisceau électrique de klaxon (utilisé à partir du n ^o de série 4281403798) | 1 | ----- | 1115-0000LB-LD |

LISTE DES PIÈCES DU CÂBLAGE ÉLECTRIQUE

| # | DESCRIPTION | QTÉ | RÉF. ULINE | RÉF. DU FABRICANT |
|-----|--|-----|--------------|-------------------|
| 1 | Câble de connexion de batterie | 1 | ----- | 1115-530008-00 |
| 2a | Câble de batterie (+) | 1 | ----- | 1115-530007-00 |
| 2b | Câble de batterie (+) | 1 | H-4709-BC+ | 1115-530007-10 |
| 3 | Câble M2 | 1 | ----- | 1115-530004-00 |
| 4 | Câble M1 | 1 | ----- | 1115-530003-00 |
| 5 | Câble B (+) | 1 | ----- | 1115-530001-00 |
| 6 | Câble B (-) | 1 | ----- | 1115-530002-00 |
| 7a | Câble P (-) | 1 | ----- | 1115-530006-00 |
| 7b | Câble P (-) | 1 | H-4709-006 | 1115-530006-10 |
| 8 | Câble P (+) | 1 | H-4709-005 | 1115-530005-00 |
| 9a | Batterie | 2 | ----- | 1115-500005-00 |
| 9b | Batterie AGM 12 V | 2 | H-5032 | 003231 |
| 10a | Bloc EPE | 2 | ----- | 1115-100001-00 |
| 10b | Bloc EPE | 2 | ----- | 1115-100004-F0 |
| 11 | Vis | 2 | ----- | 0000-000485-00 |
| 12 | Bloc de jonction | 1 | H-4709-TBLCK | 1115-231000-00 |
| 13 | Écrou | 2 | ----- | 0000-000108-00 |
| 14 | Rondelle | 2 | ----- | 0000-000056-00 |
| 15 | Rondelle plate | 2 | ----- | 0000-000380-00 |
| 16 | Vis | 2 | H-4709-004 | 0000-000004-00 |
| 17 | Boulon | 4 | ----- | 0000-000277-00 |
| 18 | Rondelle de blocage | 4 | H-4709-LW159 | 0000-000159-00 |
| 19 | Rondelle | 4 | H-4709-176 | 0000-000176-00 |
| 20 | Câble C3 | 1 | H-4709-C3CBL | 1115-530009-00 |
| 21a | Bloc EPE | 2 | ----- | 1115-100002-00 |
| 21b | Bloc EPE II | 2 | ----- | 1115-160000-F0 |
| 21c | Bloc EPE III | 2 | ----- | 1115-100003-00 |
| 22a | Coussinet en caoutchouc | 4 | ----- | 2112-410005-00 |
| 22b | Revêtement en caoutchouc | 2 | ----- | 1115-100005-00 |
| 23 | Écrou | 2 | ----- | 0000-000550-00 |
| 24 | Vis d'assemblage à tête hexagonale M8 x 45 | 2 | ----- | 0000-000917-00 |
| 25 | Plaque du détecteur de température | 1 | ----- | 1115-520020-00 |