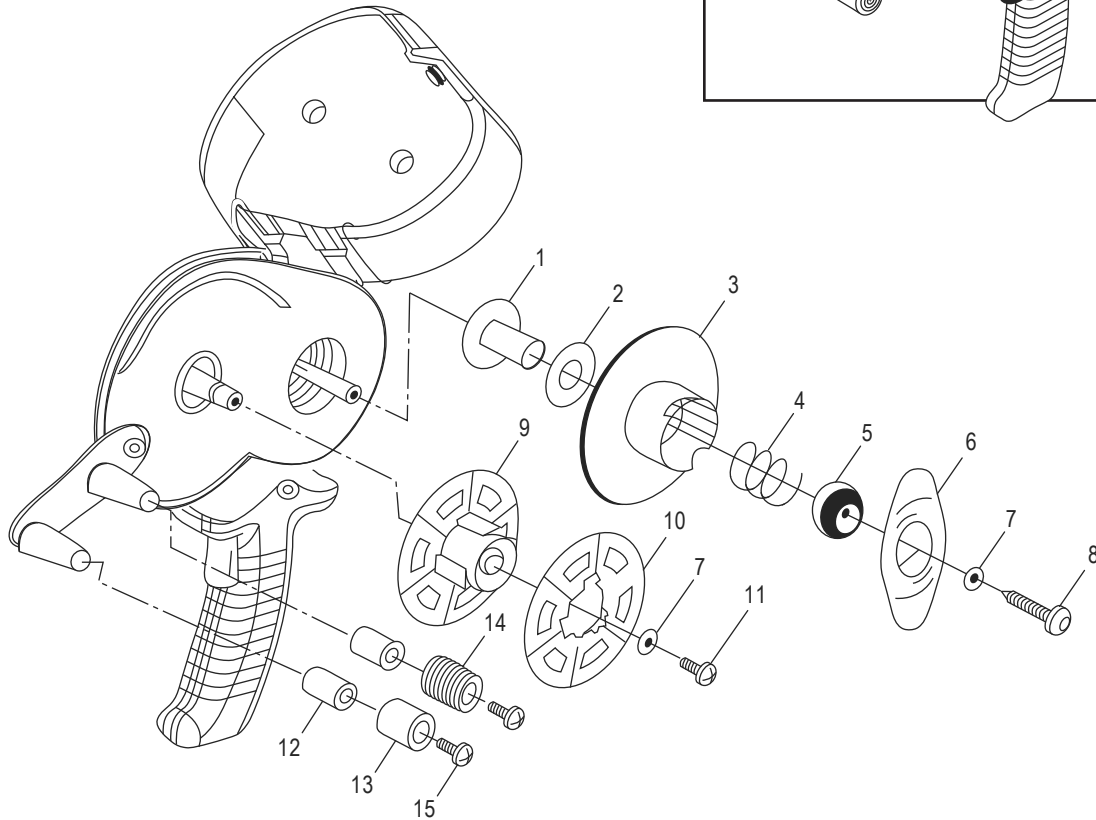
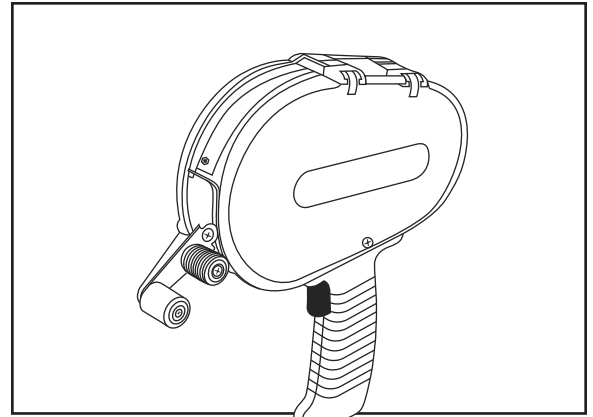


ULINE H-727

ADHESIVE TRANSFER TAPE DISPENSER

1-800-295-5510
 uline.com

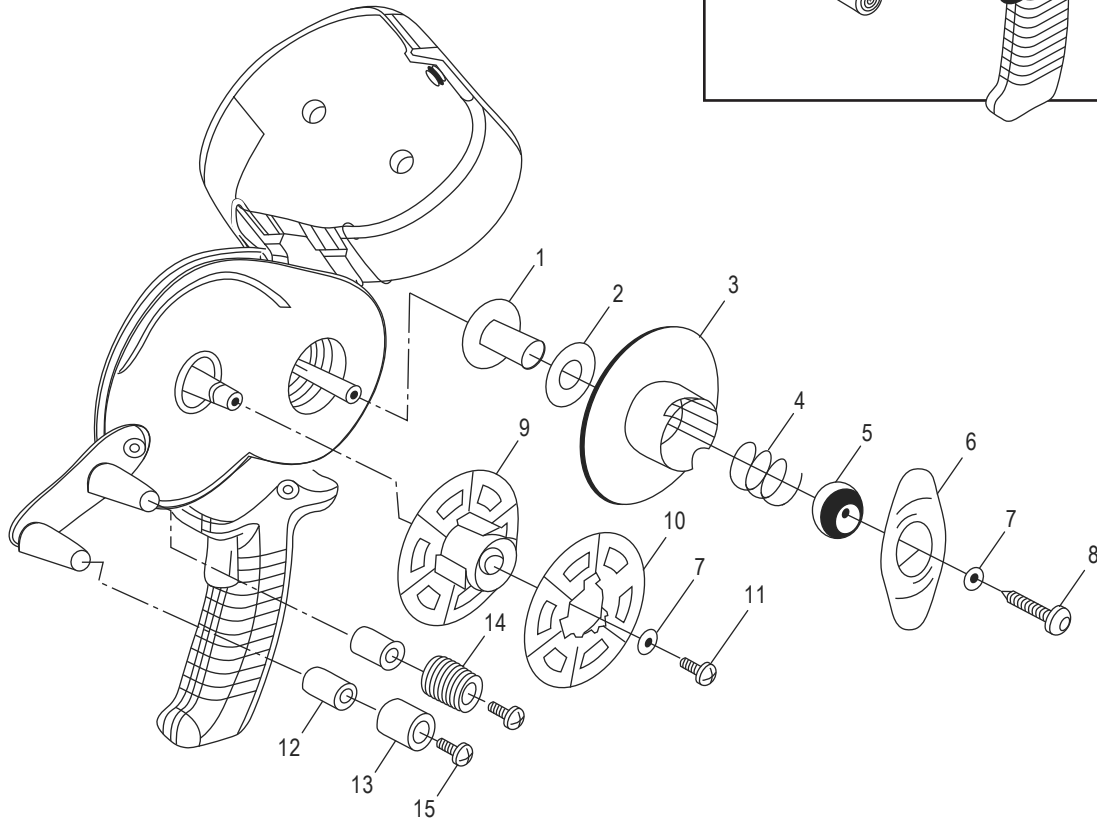
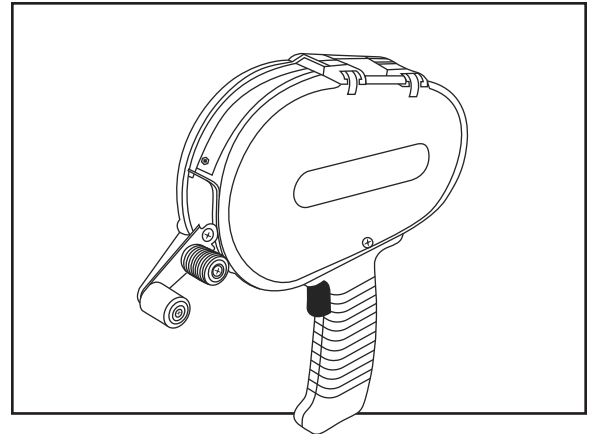


#	DESCRIPTION	QTY.	ULINE PART NO.	MFG. PART NO.
1	Collar	1	-----	78-8111-1414-5
2	Washer	1	H-727-ATG07	78-8018-7630-7
3	Rewind Hub	1	H-727REWHUB	78-8111-1413-7
4	Spring	1	H-727-SPRING	78-8113-6623-2
5	Knurled Nut	1	H-727-KNUT	78-8113-6606-7
6	Retainer Liner	1	H-727#6	78-8113-6721-4
7	Small Washer	2	H-727-#7	26-1012-0934-9
8	Screw	1	H-727-#8	26-1002-4973-4
9	Tape Roll Holder	1	-----	78-8111-1412-9
10	Tape Roll Spacer	1	H-727SPACER	78-8113-6722-2
11	Screw	1	-----	26-1012-0933-1
12	Plastic Roller	2	-----	78-8111-1484-8
13	Applying Roller	1	H-727-ROLLER	78-8113-6609-1
14	Grooved Roller	1	H-727-GROOVE	78-8111-1485-5
15	Screw	2	-----	26-1002-5098-9
	1/4" Adaptor (Not Shown)	1	H-727-1/4	21200736728

ULINE H-727**DESPACHADOR DE
CINTA ADHESIVA DE
TRANSFERENCIA**

800-295-5510

uline.mx

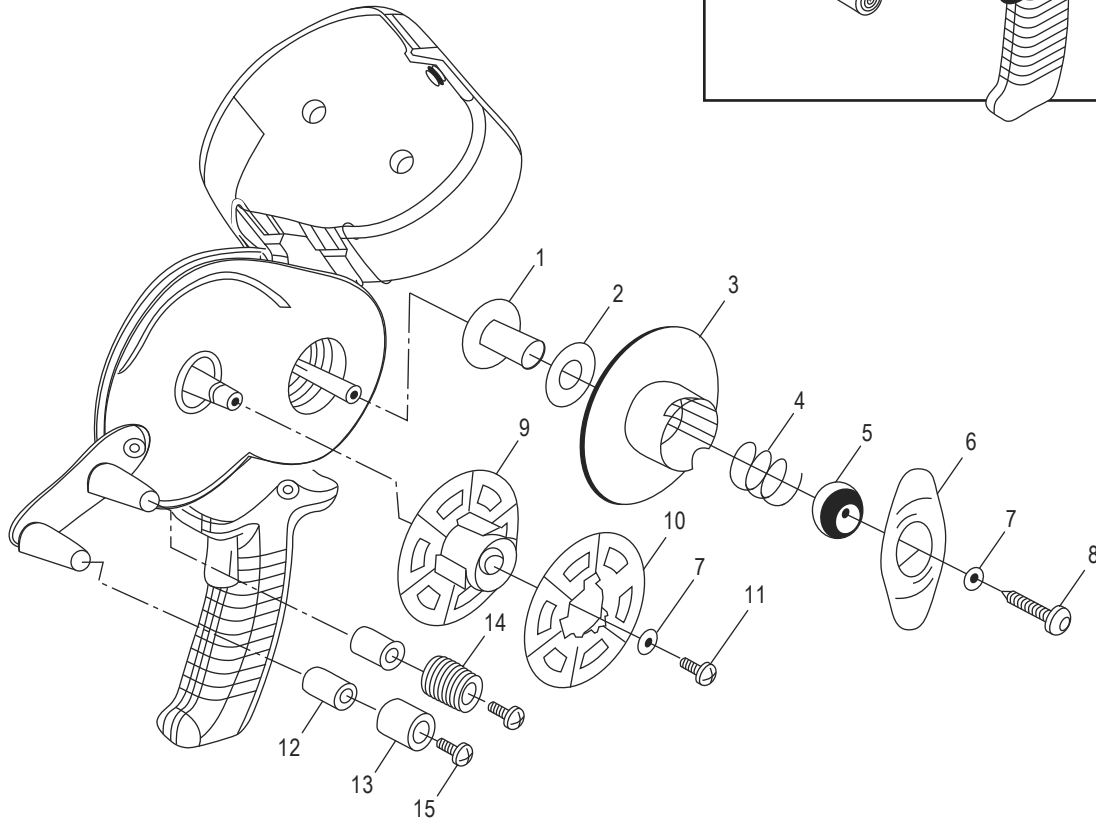
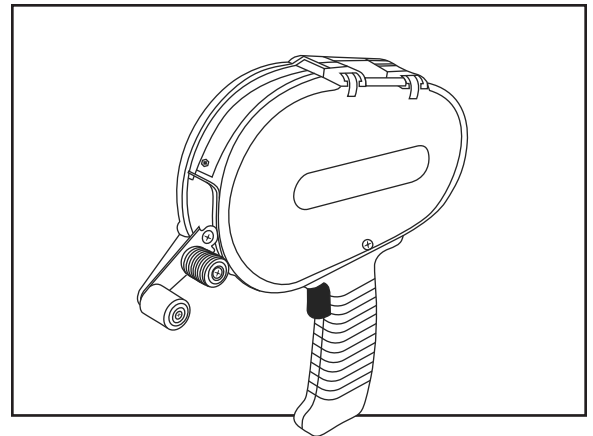


#	DESCRIPCIÓN	CANT.	NO. DE PARTE DE ULINE	NO. DE PARTE DEL FABRICANTE
1	Collarín	1	-----	78-8111-1414-5
2	Rondana	1	H-727-ATG07	78-8018-7630-7
3	Centro Rebobinado	1	H-727REWHUB	78-8111-1413-7
4	Resorte	1	H-727-SPRING	78-8113-6623-2
5	Tuerca Estriada	1	H-727-KNUT	78-8113-6606-7
6	Respaldo del Retenedor	1	H-727-#6	78-8113-6721-4
7	Rondana Pequeña	2	H-727-#7	26-1012-0934-9
8	Tornillo	1	H-727-#8	26-1002-4973-4
9	Soporte para Rollo de Cinta	1	-----	78-8111-1412-9
10	Separador para Rollo de Cinta	1	H-727SPACER	78-8113-6722-2
11	Tornillo	1	-----	26-1012-0933-1
12	Rodillo de Plástico	2	-----	78-8111-1484-8
13	Rodillo de Aplicación	1	H-727-ROLLER	78-8113-6609-1
14	Rodillo Ranurado	1	H-727-GROOVE	78-8111-1485-5
15	Tornillo	2	-----	26-1002-5098-9
	Adaptador de 1/4" (No se muestra)	1	H-727-1/4	21200736728

ULINE H-727**DÉVIDOIR DE RUBAN
ADHÉSIF À TRANSFERT**

1-800-295-5510

uline.ca



#	DESCRIPTION	QTÉ	RÉF. ULINE	RÉF. DU FABRICANT
1	Collet	1	-----	78-8111-1414-5
2	Rondelle	1	H-727-ATG07	78-8018-7630-7
3	Moyeu de reboinage	1	H-727REWHUB	78-8111-1413-7
4	Ressort	1	H-727-SPRING	78-8113-6623-2
5	Écrou moleté	1	H-727-KNUT	78-8113-6606-7
6	Doublure de retenue	1	H-727#6	78-8113-6721-4
7	Petite rondelle	2	H-727-#7	26-1012-0934-9
8	Vis	1	H-727-#8	26-1002-4973-4
9	Support de rouleau de ruban	1	-----	78-8111-1412-9
10	Séparateur de rouleau de ruban	1	H-727SPACER	78-8113-6722-2
11	Vis	1	-----	26-1012-0933-1
12	Rouleau en plastique	2	-----	78-8111-1484-8
13	Rouleau d'application	1	H-727-ROLLER	78-8113-6609-1
14	Rouleau rainuré	1	H-727-GROOVE	78-8111-1485-5
15	Vis	2	-----	26-1002-5098-9
	Adaptateur de 1/4 po (non illustré)	1	H-727-1/4	21200736728