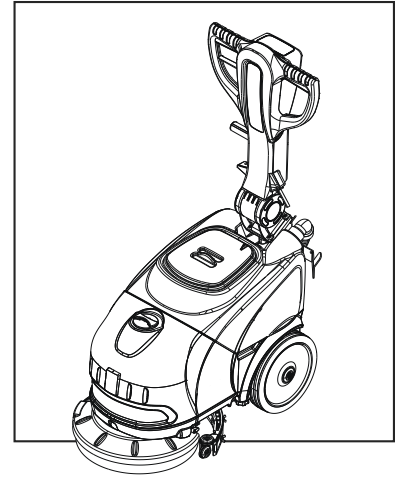


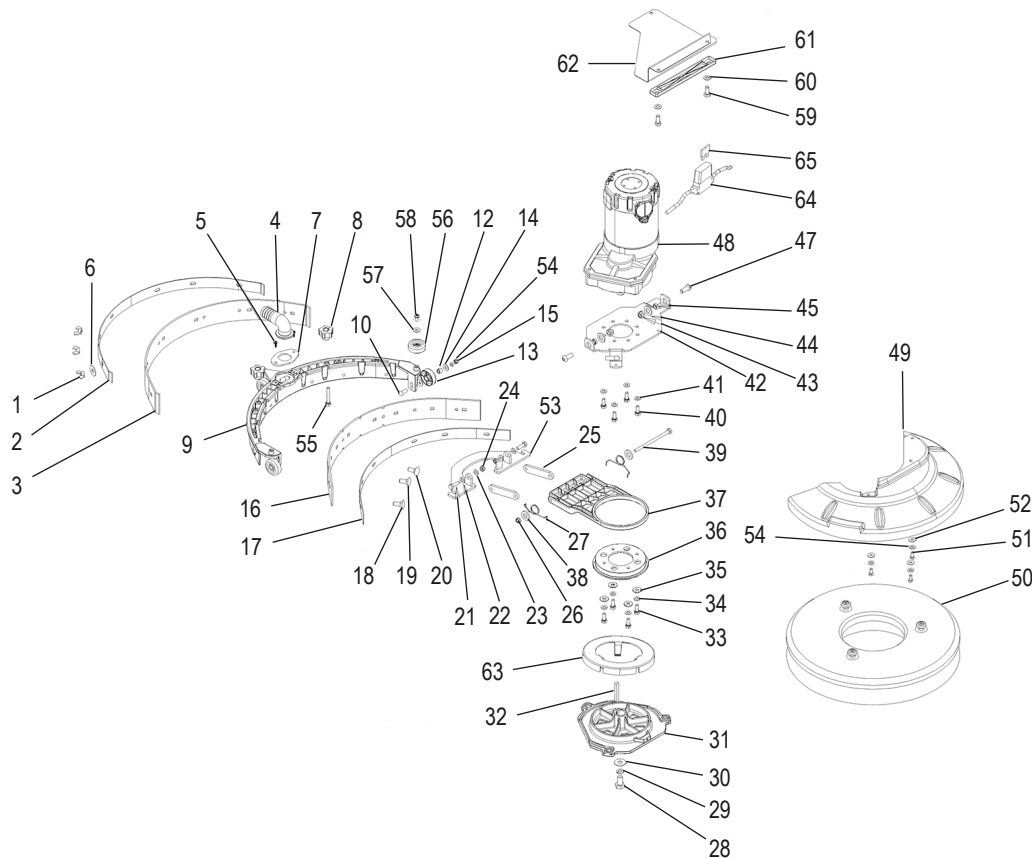
ULINE H-8041

COMPACT AUTO FLOOR SCRUBBER

1-800-295-5510
uline.com



SQUEEGEE



SQUEEGEE PARTS LIST

#	DESCRIPTION	QTY.	ULINE PART NO.	MFG. PART NO.
1	Nut M5	6	H-8685*	T80250
2	Bracket	1	H-8686*	T80251
3	Blade Squeegee Latex Rear CT15	1	H-8041-RSQG	MPVR05918
4	Connector Elbow Fitting CT15-CT30	1	H-8686*	T80251
5	Screw TCB TC 5 x 12 UNI 9707 TZ	2	H-8697*	T80277
6	Washer D. 5 x 14 INX	6	H-8685*	T80250

*Part of a kit.

ULINE H-8041
COMPACT AUTO
FLOOR SCRUBBER

1-800-295-5510
 uline.com

SQUEEGEE PARTS LIST CONTINUED

#	DESCRIPTION	QTY.	ULINE PART NO.	MFG. PART NO.
7	Flange	1	H-8686*	T80251
8	Small Knob	2	H-8685*	T80250
9	Floor Wiper Yellow RAL1021	1	H-8686*	T80251
10	Screw M5 x 20	3	H-8697*	T80277
12	Bushing	3	H-8697*	T80277
13	Wheel	3	H-8697*	T80277
14	Washer D.5 x 14 INX	6	H-8697*	T80277
15	Nut M5 INOX	3	H-8697*	T80277
16	Blade Squeegee Latex Front CT15	1	H-8041-FSQG	MPVR05917
17	Bracket	1	H-8686*	T80251
18	Screw M5 x 25	2	H-8685*	T80250
19	Screw M5 x 35	2	H-8685*	T80250
20	Screw M5 x 35	2	H-8685*	T80250
21	Screw TE 6 x 20 UNI5739 INX	2	H-8687*	T80252
22	Washer D.6 UNI 6592 INOX	2	H-8687*	T80252
23	Washer D.6 UNI 6592 INOX	2	H-8687*	T80252
24	Nut M6 INOX	2	H-8687*	T80252
25	Arm	2	H-8687*	T80252
26	Nut M6 INOX	1	H-8687*	T80252
27	Spring	2	H-8687*	T80252
28	Screw TE 8 x 20 UNI5739 INX	1	H-8041-DD	T80254
29	Washer D. 8 INX GRW UNI 1751	1	H-8041-DD	T80254
30	Washer D. 8 x 24 INX UNI 6593	1	H-8041-DD	T80254
31	Drive Disk	1	H-8041-DD	T80254
32	Key 6X 6 x 30 UNI 6604	1	H-8041-DD	T80254
33	Screw TE 6 x 20 UNI5739 INX	4	-----	T80253
34	Washer D. 6 INX GRW UNI 1751	4	-----	T80253
35	Washer D. 6 x 18 INX UNI 6593	4	-----	T80253
36	Bracket	1	-----	T80253
37	Body Side SX	1	-----	T80253
38	Washer D. 6 x 18 INX UNI 6593	2	H-8687*	T80252
39	Screw M6 x 140	1	H-8687*	T80252
40	Screw TE 6 x 12 A2 UNI 5739	4	H-8041-BMTR	T80255
41	Washer D. 6 INX GRW UNI 1751	4	H-8041-BMTR	T80255
42	Plate	1	H-8688*	T80256
43	Nut M8 INX	2	H-8688*	T80256
44	Washer D. 8 INX UNI 6592	2	H-8688*	T80256
45	Bushing	2	H-8688*	T80256
47	Screw TE M 8X 30 INX 5739	2	H-8688*	T80256
48	Motor Brush 24V CT15B	1	H-8041-BMTR	T80255

*Part of a kit.

ULINE H-8041

COMPACT AUTO FLOOR SCRUBBER

1-800-295-5510
uline.com

SQUEEGEE PARTS LIST CONTINUED

#	DESCRIPTION	QTY.	ULINE PART NO.	MFG. PART NO.
49	Cover Brush Head 24V CT15	1	H-8041-CBRHD	MPVR05827
50	Brush Nylon CT 15 D. 350	1	H-8041-BRUSH	SPPV01481
51	Screw TE M5 x 12 INOX	3	H-8688*	T80256
52	Washer D. 5 x 14 INX	3	H-8688*	T80256
53	Support	1	H-8687*	T80252
54	Washer D. 5 INX GRW UNI 1751	3	H-8697*	T80277
55	Screw TE M 6 x 50 INOX A2	2	H-8685*	T80250
56	Wheel	2	H-8697*	T80277
57	Washer D. 5 x 14 INX	2	H-8697*	T80277
58	Screw TCB TC 5 x 12 UNI 9707 TZ	2	H-8697*	T80277
59	Screw TE M5 x 12 INOX	2	-----	VTVT01300
60	Washer D. 5 x 14 INX	2	H-8041-W5X14	VTRS13750
61	Bracket	1	-----	MPVR06259
62	Cover	1	-----	MPVR06257
63	Conveyor	1	H-8041-CNVYQ	MPVR06045
64	Wiring	1	H-8692*	T80265
65	Fuse 25A	1	H-8693*	T80266
	Full Squeegee Assembly Package (Not Shown)	1	H-8041-SQGAS	PMVR01885
	Squeegee Hardware Kit (Not Shown) Includes: • Nut M5 #1 (6) • Screw TCB TC 5 x 12 UNI 9707 TZ #5 (2) • Washer D. 5 x 14 INX #6 (6) • Small Knob #8 (2) • Screw M5 x 25 #18 (2) • Screw M5 x 35 #19 (2) • Screw M5 x 35 #20 (2) • Screw TE M 6 x 50 INOX A2 #55 (2)	1	H-8685	T80250
	Squeegee Body Kit (Not Shown) Includes: • Bracket #2 (1) • Connector Elbow Fitting CT15-CT30 #4 (1) • Flange #7 (1) • Floor Wiper Yellow RAL1021 #9 (1) • Bracket #17 (1) • Screw (2)	1	H-8686	T80251
	Squeegee Arm Kit (Not Shown) Includes: • Screw TE 6 x 20 UNI5739 INX #21 (2) • Washer D.6 UNI 6592 INOX #22 (2) • Washer D.6 UNI 6592 INOX #23 (2) • Nut M6 INOX #24 (2) • Arm #25 (2) • Nut M6 INOX #26 (1) • Spring #27 (2) • Washer D. 6 x 18 INX UNI 6593 #38 (2) • Screw M6 x 140 #39 (1) • Support #53 (1)	1	H-8687	T80252

*Part of a kit.

ULINE H-8041
**COMPACT AUTO
 FLOOR SCRUBBER**

1-800-295-5510
 uline.com

SQUEEGEE PARTS LIST CONTINUED

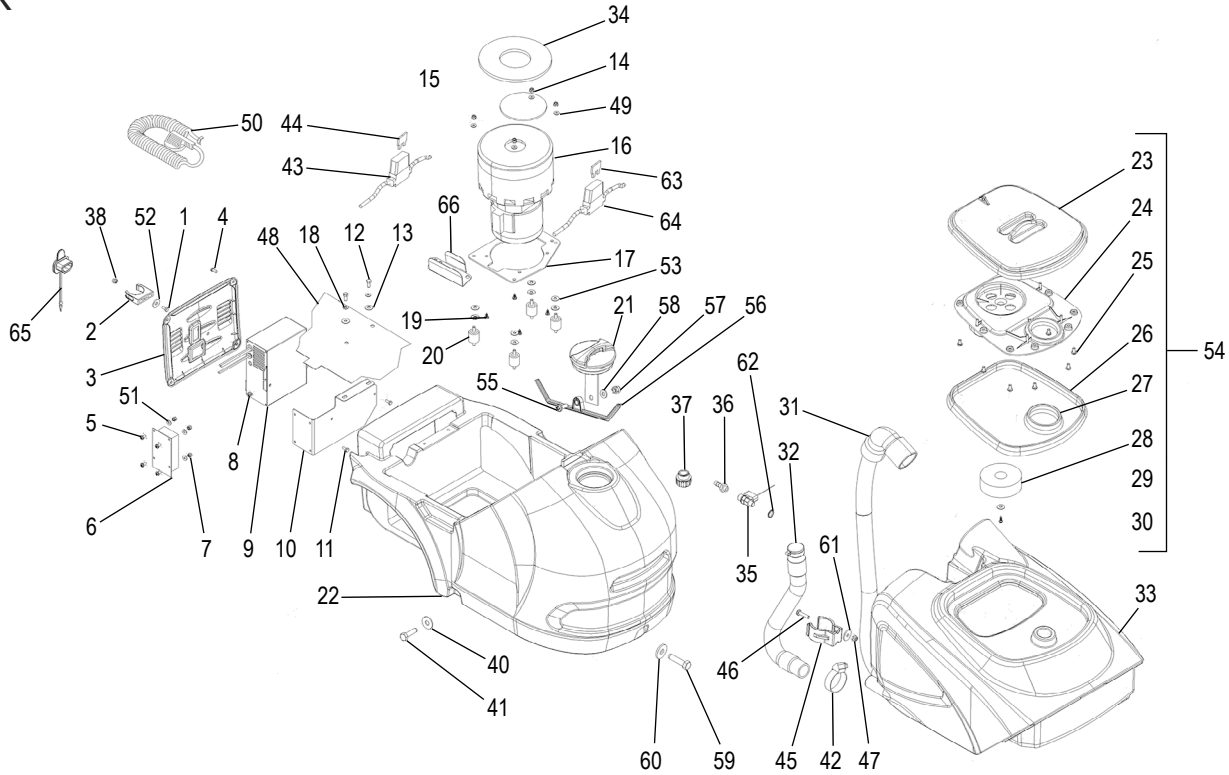
#	DESCRIPTION	QTY.	ULINE PART NO.	MFG. PART NO.
	Brush Motor Plate Kit (Not Shown) Includes: • Plate #42 (1) • Nut M8 INX #43 (2) • Washer D. 8 INX UNI 6592 #44 (2) • Bushing #45 (2) • Screw TE M 8 X 30 INX 5739 #47 (2) • Screw TE M5 x 12 INOX #51 (3) • Washer D. 5 x 14 INX #52 (3)	1	H-8688	T80256
	Fuse Wiring Kit (Not Shown) Includes: • Wiring Fuse Holder #43 – Tank Parts List (1) • Wiring #64 (1)	1	H-8692	T80265
	Fuse Kit (Not Shown) Includes: • Fuse 30A #44 – Tank Parts List (1) • Fuse 20A #63 – Tank Parts List (1) • Fuse 25A #65 (1)	1	H-8693	T80266
	Squeegee Wheel Kit (Not Shown) Includes: • Screw M5 x 20 #10 (3) • Bushing #12 (3) • Wheel #13 (3) • Washer D.5 x 14 INX #14 (6) • Nut M5 INOX #15 (3) • Washer D. 5 INX GRW UNI 1751 #54 (3) • Wheel #56 (2) • Washer D. 5 x 14 INX #57 (2) • Screw TCB TC 5 x 12 UNI 9707 TZ #58 (2)	1	H-8697	T80277
	Brush Driver Kit Includes: • Screw TE 8 x 20 UNI5739 INX#28 (1) • Washer D. 8 INX GRW UNI 1751 #29 (1) • Washer D. 8 x 24 INX UNI 6593 #30 (1) • Drive Disk #31 (1) • Key 6 X 6 x 30 UNI 6604 #32 (1)	1	H-8041-DD	T80254
	Squeegee Support Kit Includes: • Screw TE 6 x 20 UNI5739 INX #33 (4) • Washer D. 6 INX GRW UNI 1751 #34 (4) • Washer D. 6 x 18 INX UNI 6593 #35 (4) • Bracket #36 (1) • Body Side SX #37 (1)	1	-----	T80253
	Brush Motor Kit Includes: • Screw TE 6 x 12 A2 UNI 5739 #40 (4) • Washer D. 6 INX GRW UNI 1751 #41 (4) • Motor Brush 24V CT15B #48 (1)	1	H-8041-BMTR	T80255

ULINE H-8041

COMPACT AUTO FLOOR SCRUBBER

1-800-295-5510
uline.com

TANK



TANK PARTS LIST

#	DESCRIPTION	QTY.	ULINE PART NO.	MFG. PART NO.
1	Screw TCTC 4 x 16 Steel INOX	1	H-8689*	T80257
2	Clip	1	H-8689*	T80257
3	Cover Battery Charger CT15	1	H-8690*	T80258
4	Screw TBCE ISO 7380 5 x 12 ZB	4	H-8690*	T80258
5	Screw TE M 4 x 10 ZC. UNI 5739	4	-----	T80259
6	Electronic Board Kit	1	H-8041-KCPPB	KTRI04748
7	Nut M 4 ZIN UNI 5588	4	-----	T80259
8	Nut M 4 TEF UNI 7473	2	-----	T80259
9	Battery Charger CBHD1 24V 5A	1	H-8041-BC	KTRI05662
10	Plate	1	-----	LAFN08893
11	Screw TE M 4 x 10 ZC. UNI 5739	2	-----	T80259
12	Screw TE M 5 x 10 UNI 5739	2	-----	T80259
13	Washer D. 5 x 14 INX	2	-----	T80259
14	Nut M5 INOX	4	H-9424-VMHK*	T80260
15	Net Firma Filter INOX	1	H-9424-MOTOR	T80261
16	Motor Vacuum CT15-30-45-46	1	H-9424-MOTOR	T80261

*Part of a kit.

ULINE H-8041
COMPACT AUTO
FLOOR SCRUBBER

1-800-295-5510
 uline.com

TANK PARTS LIST CONTINUED

#	DESCRIPTION	QTY.	ULINE PART NO.	MFG. PART NO.
16	Vacuum Motor Carbon Brush	2	H-8041-CRBBR	MEVR05200
17	Plate	1	H-9424-VMHK*	T80260
18	Washer D. 5 GRW	2	-----	T80259
19	Screw TCB TC 5 x 12 UNI 9707 TZ	4	H-9424-VMHK*	T80260
20	Vibration Damp.	4	H-9424-VMHK*	T80260
21	Cap Solution Tank	1	H-8041-CAP*	KTRIO2097
22	Solution Tank	1	H-8041-ST	MPVR05960
23	Cover	1	H-8699*	KTRIO1989
24	Cover	1	H-8699*	KTRIO1989
25	Screw TCB TC 5 x 10 UNI 9707 TZ	8	H-8699*	KTRIO1989
26	Gasket Recovery Tank Lid CT15	1	H-8699*	KTRIO1989
27	Gasket	1	H-8699*	KTRIO1989
28	Floater	1	H-8699*	KTRIO1989
29	Washer 30 x 6 x 3	1	H-8699*	KTRIO1989
30	Screw TCB TC 5 x 12 UNI 9707 TZ	1	H-8699*	KTRIO1989
31	Squeegee Suction Hose	1	H-8041-STUBE	KTRIO4697
32	Recovery Tank Drain Hose	1	H-8691*	T80264
33	Tank	1	H-8041-RTBLU	MPVR05961
34	Gasket	1	H-8041-VMTR*	T80261
35	Valve A SFERA MF 1/8"	1	-----	T80262
36	Connector Portagomma 1/8" D.7	1	-----	T80262
37	Cap 1/2"	1	H-8700	MPVR10774
38	Nut M 4 INX	1	H-8689*	T80257
40	Washer D. 5 x 14 INX	3	-----	T80263
41	Screw TE M 5 x 35 UNI 5739	3	-----	T80263
42	Clamp Ekoflex 9 23-35	1	H-8691*	T80264
43	Wiring Fuse Holder CT15 Battery	1	H-8692*	T80265
44	Fuse 30A	1	H-8693*	T80266
45	Support	1	H-8698*	T80278
46	Screw	2	H-8698*	T80278
47	Nut M 4 TEF UNI 7473	2	H-8698*	T80278
48	Protection	1	-----	MPVR05907
49	Washer D. 5 INX GRW UNI 1751	4	H-9424-VMHK*	T80260
50	Extension AWG18 US Plug	1	H-8041-CHRCG	MECB00923
51	Washer M4	4	-----	T80259
52	Washer 4-16 INOX A2	1	H-8689*	-----
53	Washer D. 5 x 14 INX	8	H-9424-VMHK*	T80260
54	CT15 Dirty Water Top Lid	1	H-8699	KTRIO1989
55	Screw TCB-TC 4 x 12 UNI7687 INX	1	H-8041-CAP*	KTRIO2097
56	Plate CT15-30	1	H-8041-CAP*	KTRIO2097

*Part of a kit.

ULINE H-8041
**COMPACT AUTO
 FLOOR SCRUBBER**

1-800-295-5510
 uline.com

TANK PARTS LIST CONTINUED

#	DESCRIPTION	QTY.	ULINE PART NO.	MFG. PART NO.
57	Nut M 4 ATB A2	1	H-8041-CAP*	KTRIO2097
58	Washer D. 4 INX	1	H-8041-CAP*	KTRIO2097
59	Screw TE 5 x 35 UNI 5739	1	-----	T80263
60	Washer D. 5 x 14 INX	1	-----	T80263
61	Washer UNI 6592 4 x 16 ZB	2	H-8698*	T80278
62	O-Ring D. 6.75 x 1.78 NBR 70SH	1	-----	T80262
63	Fuse 20A	1	H-8693*	T80266
64	Wiring	1	H-8692*	T80265
65	Cap IEC	1	H-8690*	T80258
66	Bracket	1	-----	LAFN11082
	Battery for Auto Scrubber (Not Shown)	2	H-8041-BATT	12VD33-AGM
	Squeegee Hose Clip Kit (Not Shown) Includes: • Screw TCTC 4 x 16 Steel INOX #1 (1) • Clip #2 (1) • Nut M 4 INX #38 (1) • Washer 4-16 INOX A2 #52 (1)	1	H-8689	T80257
	Battery Charger Cover Kit (Not Shown) Includes: • Cover Battery Charger CT15 #3 (1) • Screw TBCE ISO 7380 5 x 12 ZB #4 (4) • Cap IEC #65 (1)	1	H-8690	T80258
	Drain Hose Kit (Not Shown) Includes: • Tube Drain Recovery Tank CT15 #32 (1) • Clamp Ekoflex 9 23-35 #42 (1)	1	H-8691	T80264
	Fuse Wiring Kit (Not Shown) Includes: • Wiring Fuse Holder CT15 Battery #43 (1) • Wiring #64 (1)	1	H-8692	T80265
	Fuse Kit (Not Shown) Includes: • Fuse 30A #44 (1) • Fuse 20A #63 (1) • Fuse 25A #65 – Squeegee Parts List (1)	1	H-8693	T80266
	Drain Hose Clip Kit (Not Shown) Includes: • Support #45 (1) • Screw #46 (2) • Nut M 4 TEF UNI 7473 #47 (2) • Washer UNI 6592 4 x 16 ZB #61 (2)	1	H-8698	T80278

*Part of a kit.

ULINE H-8041
**COMPACT AUTO
 FLOOR SCRUBBER**

1-800-295-5510
 uline.com

TANK PARTS LIST CONTINUED

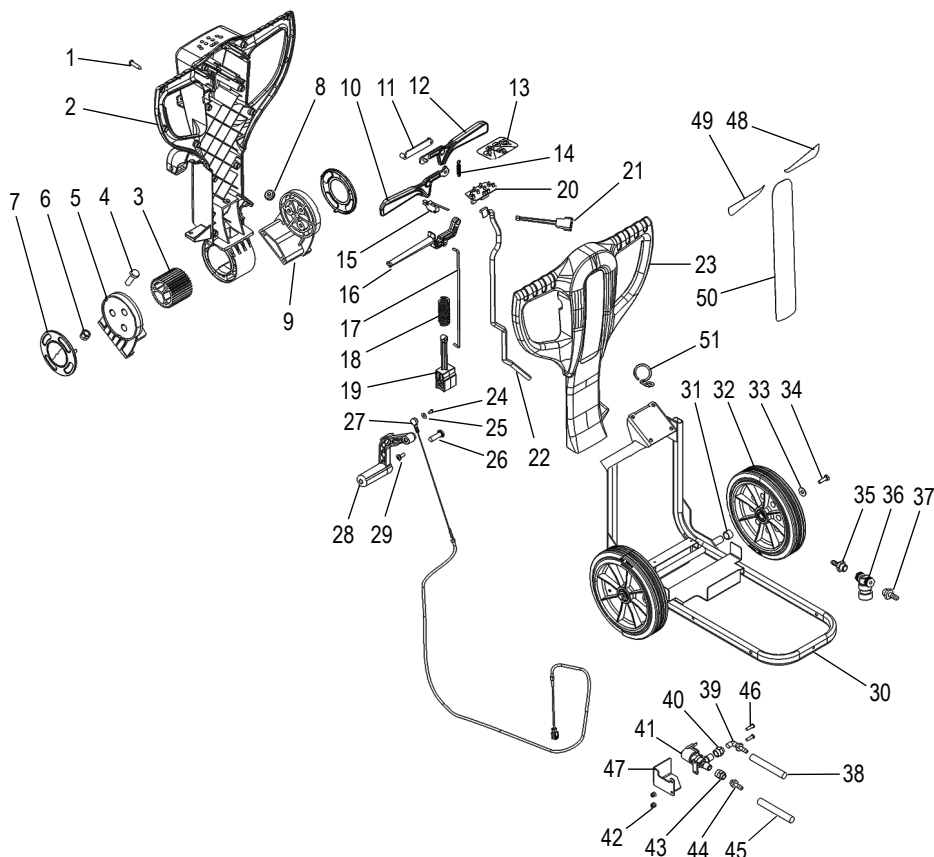
#	DESCRIPTION	QTY.	ULINE PART NO.	MFG. PART NO.
	Squeegee Hardware Kit (Not Shown) Includes: • Cover #23 (1) • Cover #24 (1) • Screw TCB TC 5 x 10 UNI 9707 TZ #25 (8) • Gasket Recovery Tank Lid CT15 #26 (1) • Gasket #27 (1) • Floater #28 (1) • Washer 30 x 6 x 3 #29 (1) • Screw TCB TC 5 x 12 UNI 9707 TZ #30 (1)	1	H-8699	KTR101989
	Electrical Compartment Hardware Kit Includes: • Screw TE M 4 x 10 ZC. UNI 5739 #5 (4) • Nut M 4 ZIN UNI 5588 #7 (4) • Nut M 4 TEF UNI 7473 #8 (2) • Screw TE M 4 x 10 ZC. UNI 5739 #11 (2) • Screw TE M 5 x 10 UNI 5739 #12 (2) • Washer D. 5 x 14 INX #13 (2) • Washer D. 5 GRW #18 (2) • Washer M4 #51 (4)	1	-----	T80259
	Vacuum Motor Hardware Kit Includes: • Nut M5 INOX #14 (4) • Plate #17 (1) • Screw TCB TC 5 x 12 UNI 9707 TZ #19 (4) • Vibration Damp. #20 (4) • Washer D. 5 INX GRW UNI 1751 #49 (4) • Washer D. 5 x 14 INX #53 (8)	1	H-9424-VMHK	T80260
	Vacuum Motor Kit Includes: • Net Firma Filter INOX #15 (1) • Motor Vacuum CT15-30-45-46 #16 (1) • Gasket Set #34 (1)	1	H-9424-MOTOR	T80261
	Solution Valve Kit Includes: • Valve A SFERA MF 1/8" #35 (1) • Connector Portagomma 1/8" D.7 #36 (1) • O-Ring D. 6.75 x 1.78 NBR 70SH #62 (1)	1	-----	T80262
	Hardware Kit Includes: • Washer D. 5 x 14 INX #40 (3) • Screw TE M 5 x 35 UNI 5739 #41 (3) • Screw TE 5 x 35 UNI 5739 #59 (1) • Washer D. 5 x 14 INX #60 (1)	1	-----	T80263
	Solution Tank Cap Kit Includes: • Cap Solution Tank #21 (1) • Screw TCB-TC 4 x 12 UNI7687 INX #55 (1) • Plate CT15-30 #56 (1) • Nut M 4 ATB A2 #57 (1) • Washer D. 4 INX #58 (1)	1	H-8041-CAP	KTR102097

ULINE H-8041

COMPACT AUTO FLOOR SCRUBBER

1-800-295-5510
uline.com

FRAME



FRAME PARTS LIST

#	DESCRIPTION	QTY.	ULINE PART NO.	MFG. PART NO.
1	Screw 4, 8 x 19	14	H-9424-HNDL*	T80267
2	Crankcase	1	H-9424-HNDL*	T80267
3	Gear	1	-----	MPVR06056
4	Screw TBCE ISO 7380 8 x 22 ZB	4	H-8041-HNMT*	T80268
5	Shell DX	1	H-8041-HNMT*	T80268
6	Nut M8 BASSO	4	H-8041-HNMT*	T80268
7	Cover	2	H-8041-HNMT*	T80268
8	Fair-Lead	1	H-9424-FCABL*	T80269
9	Shell SX	1	H-8041-HNMT*	T80268
10	Lever DX	1	-----	T80270
11	Support Electronic Card	1	-----	MPVR06298
12	Lever SX	1	-----	T80270
13	Label Dashboard CT15-30-45 ECO	1	H-9424-HNDL*	T80267
14	Spring	1	-----	T80270
15	Microswitch TRZ. DRW	1	H-8041-MCRSW	MECI36393
16	Lever Adjustment	1	H-9424-HANDL*	T80271
17	Lever Rod	1	H-9424-HANDL*	T80271

ULINE H-8041
**COMPACT AUTO
 FLOOR SCRUBBER**

1-800-295-5510
 uline.com

FRAME PARTS LIST CONTINUED

#	DESCRIPTION	QTY.	ULINE PART NO.	MFG. PART NO.
18	Spring	1	H-9424-HANDL*	T80271
19	Handle Support	1	H-9424-HANDL*	T80271
20	Electronic Board Kit	1	H-8041-KCPPB	KTRI04748
21	Wiring Push Button CT45 C	1	-----	MECB01324
22	Wiring	1	H-9424-FCABL*	T80269
23	Crankcase Handle Front 15-30-45	1	H-9424-HNDL*	T80267
24	Screw TC 4 x 12 ZN	1	H-8694*	T80272
25	Washer 4-16 INOX A2	1	H-8694*	T80272
26	Pin	1	H-8694*	T80272
27	Cable Lifting Squeegee CT15-30	1	H-8694*	T80272
28	Lever Squeegee Lifting PP	1	H-8041-LSLPP	MPVR49942
29	Screw TC 6 x 12	1	H-8694*	T80272
30	Frame	1	-----	LAFN08895
31	Bushing	2	H-8695*	T80273
32	Wheel D.250 CT15-30-45	2	H-8695*	T80273
33	Washer D. 8 x 24 ZC.	2	H-8695*	T80273
34	Screw TE 8 x 16 UNI 5739	2	H-8695*	T80273
35	Connector	1	H-8696*	T80274
36	Filter Assembly	1	H-8696*	T80274
37	Connector	1	H-8696*	T80274
38	Tube	1	H-8041-CF*	T80275
39	Connector Hose 1/8" D.7	1	H-8041-CF*	T80275
40	Connector - Frame	1	H-8041-CF*	T80275
41	Solenoid Valve	1	H-8041-SVALV	PMVR01883
42	Nut M4 ATB A2	2	-----	T80276
43	Connector - Frame	1	H-8041-CF*	T80275
44	Connector - Hose 1/8" D.7	1	H-8041-CF*	T80275
45	Tube - Frame	1	H-8041-CF*	T80275
46	Screw TCTC 4 x 16	2	-----	T80276
47	Protection - Solenoid Valve	1	-----	T80276
48	Label - Drive Lever	1	-----	T80270
49	Label - Drive Lever	1	-----	T80270
50	Label - Front Lever	1	H-9424-HNDL*	T80267
51	Hook	1	-----	LAFN11049
	Squeegee Cable Kit (Not Shown) Includes: • Screw TC 4 x 12 ZN #24 (1) • Washer 4-16 INOX A2 #25 (1) • Pin #26 (1) • Cable Lifting Squeegee CT15-30 #27 (1) • Screw TC 6 x 12 #29 (1)	1	H-8694	T80272

*Part of a kit.

ULINE H-8041
**COMPACT AUTO
 FLOOR SCRUBBER**

1-800-295-5510
 uline.com

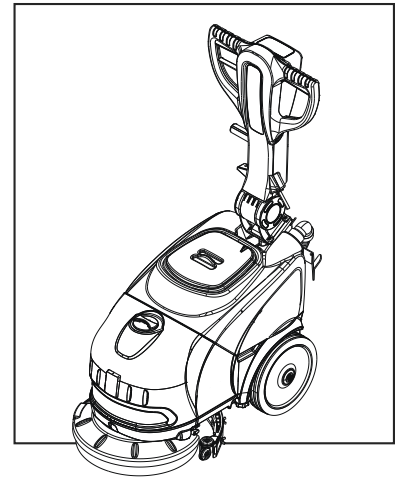
FRAME PARTS LIST CONTINUED

#	DESCRIPTION	QTY.	ULINE PART NO.	MFG. PART NO.
	Wheel Kit (Not Shown) Includes: • Bushing #31 (2) • Wheel D.250 CT15-30-45 #32 (2) • Washer D. 8 x 24 ZC. #33 (2) • Screw TE 8 x 16 UNI 5739 #34 (2)	1	H-8695	T80273
	Water Filter Kit (Not Shown) Includes: • Connector #35 (1) • Filter Assembly #36 (1) • Connector #37 (1)	1	H-8696	T80274
	Handle Cover Kit Includes: • Screw 4, 8 x 19 #1 (14) • Crankcase #2 (1) • Label Dashboard CT15-30-45 ECO #13 (1) • Crankcase Handle Front 15-30-45 #23 (1) • Label – Front Lever #50 (1)	1	H-9424-HNDL	T80267
	Handle Base Cover Kit Includes: • Screw TBCE ISO 7380 8 x 22 ZB #4 (4) • Shell DX #5 (1) • Nut M8 BASSO #6 (4) • Cover #7 (2) • Shell SX #9 (1)	1	H-8041-HNMT	T80268
	Flat Cable Kit Includes: • Fair-Lead #8 (1) • Wiring #22 (1)	1	H-9424-FCABL	T80269
	Trigger Handle Kit Includes: • Lever DX #10 (1) • Lever SX #12 (1) • Spring #14 (1) • Label – Drive Lever #48 (1) • Label – Drive Lever #49 (1)	1	-----	T80270
	Handle Adjustment Kit Includes: • Lever Adjustment #16 (1) • Lever Rod #17 (1) • Spring #18 (1) • Handle Support #19 (1)	1	H-9424-HANDL	T80271
	Solution Line Kit Includes: • Tube #38 (1) • Connector Hose 1/8" D.7 #39 (1) • Connector – Frame #40 (1) • Connector – Frame #43 (1) • Connector – Hose 1/8" D.7#44 (1) • Tube – Frame #45 (1)	1	H-8041-CF	T80275
	Solenoid Guard Kit Includes: • Nut M4 ATB A2 #42 (2) • Screw TCTC 4 x 16 #46 (2) • Protection Solenoid Valve #47 (1)	1	-----	T80276

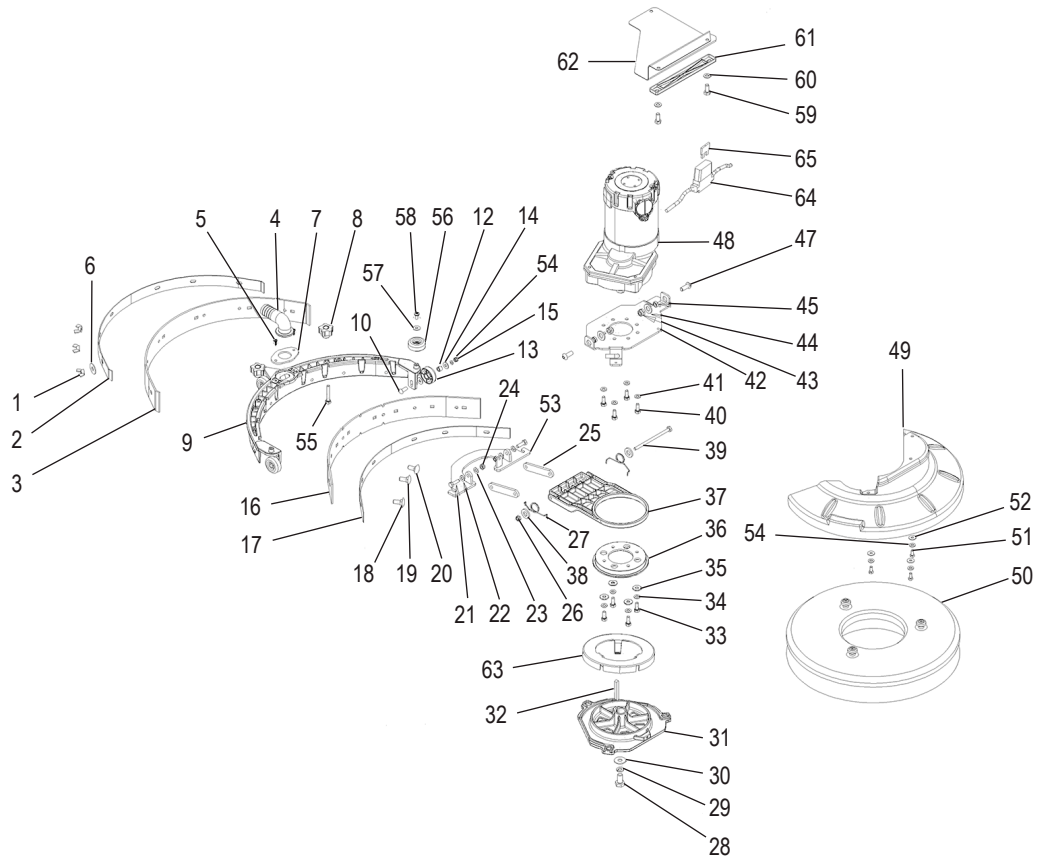
ULINE H-8041

FREGADORA DE PISOS COMPACTA AUTOMÁTICA

800-295-5510
uline.mx



JALADOR



LISTA DE PARTES DEL JALADOR

#	DESCRIPCIÓN	CANT.	NO. DE PARTE ULINE	NO. DE PARTE DEL FABRICANTE
1	Tuerca M5	6	H-8685*	-----
2	Abrazadera	1	H-8686*	-----
3	Hoja de Látex del Jalador Posterior CT15	1	H-8041-RSQG	MPVR05918
4	Conector de Codo CT15-CT30	1	H-8686*	-----
5	Tornillo TCB TC 5 x 12 UNI 9707 TZ	2	H-8697*	-----
6	Rondana D. 5 x 14 INX	6	H-8685*	-----
7	Pestaña	1	H-8686*	-----
8	Perilla Chica	2	H-8685*	-----
9	Limpiador para Piso Amarillo RAL1021	1	H-8686*	-----

*Parte de un kit.

CONTINUACIÓN DE LISTA DE PARTES DEL JALADOR

#	DESCRIPCIÓN	CANT.	NO. DE PARTE ULINE	NO. DE PARTE DEL FABRICANTE
10	Tornillo M5 x 20	3	H-8697*	-----
12	Casquillo	3	H-8697*	-----
13	Llanta	3	H-8697*	-----
14	Rondana D.5 x 14 INX	6	H-8697*	-----
15	Tuerca M5 INOX	3	H-8697*	-----
16	Hoja de Látex del Jalador Frontal CT15	1	H-8041-FSQG	MPVR05917
17	Abrazadera	1	H-8686*	-----
18	Tornillo M5 x 25	2	H-8685*	-----
19	Tornillo M5 x 35	2	H-8685*	-----
20	Tornillo M5 x 35	2	H-8685*	-----
21	Tornillo TE 6 x 20 UNI5739 INX	2	H-8687*	-----
22	Rondana D.6 UNI 6592 INOX	2	H-8687*	-----
23	Rondana D.6 UNI 6592 INOX	2	H-8687*	-----
24	Tuerca M6 INOX	2	H-8687*	-----
25	Brazo	2	H-8687*	-----
26	Tuerca M6 INOX	1	H-8687*	-----
27	Resorte	2	H-8687*	-----
28	Tornillo TE 8 x 20 UNI5739 INX	1	H-8041-DD	T80254
29	Rondana D. 8 INX GRW UNI 1751	1	H-8041-DD	T80254
30	Rondana D. 8 x 24 INX UNI 6593	1	H-8041-DD	T80254
31	Disco Impulsor	1	H-8041-DD	T80254
32	Llave 6X 6 x 30 UNI 6604	1	H-8041-DD	T80254
33	Tornillo TE 6 x 20 UNI5739 INX	4	-----	T80253
34	Rondana D. 6 INX GRW UNI 1751	4	-----	T80253
35	Rondana D. 6 x 18 INX UNI 6593	4	-----	T80253
36	Abrazadera	1	-----	T80253
37	Lateral del Cuerpo SX	1	-----	T80253
38	Rondana D. 6 x 18 INX UNI 6593	2	H-8687*	-----
39	Tornillo M6 x 140	1	H-8687*	-----
40	Tornillo TE 6 x 12 A2 UNI 5739	4	-----	T80255
41	Rondana D. 6 INX GRW UNI 1751	4	-----	T80255
42	Placa	1	H-8688*	-----
43	Tuerca M8 INX	2	H-8688*	-----
44	Rondana D. 8 INX UNI 6592	2	H-8688*	-----
45	Casquillo	2	H-8688*	-----
47	Tornillo TE M 8X 30 INX 5739	2	H-8688*	-----
48	Motor del Cepillo 24V CT15B	1	H-8041-BMTR	T80255
49	Cubierta para Cabeza de Cepillo	1	H-8041-CBRHD	MPVR05827
50	Cepillo de Nylon CT 15 D. 350	1	H-8041-BRUSH	SPPV01481
51	Tornillo TE M5 x 12 INOX	3	H-8688*	-----

*Parte de un kit.

CONTINUACIÓN DE LISTA DE PARTES DEL JALADOR

#	DESCRIPCIÓN	CANT.	NO. DE PARTE ULINE	NO. DE PARTE DEL FABRICANTE
52	Rondana D. 5 x 14 INX	3	H-8688*	-----
53	Soporte	1	H-8687*	-----
54	Rondana D. 5 INX GRW UNI 1751	3	H-8697*	-----
55	Tornillo TE M 6 x 50 INOX A2	2	H-8685*	-----
56	Llanta	2	H-8697*	-----
57	Rondana D. 5 x 14 INX	2	H-8697*	-----
58	Tornillo TCB TC 5 x 12 UNI 9707 TZ	2	H-8697*	-----
59	Tornillo TE M5 x 12 INOX	2	-----	VTVT01300
60	Rondana D. 5 x 14 INX	2	-----	VTRS13750
61	Abrazadera	1	-----	MPVR06259
62	Cubierta	1	-----	MPVR06257
63	Transportador	1	-----	MPVR06045
64	Cableado	1	H-8692*	-----
65	Fusible 25A	1	H-8693*	-----
	Paquete de Ensamble Completo para Jalador (No se Muestra)	1	H-8041-SQGAS	PMVR01885
	Kit de Tornillería del Jalador (No se Muestra) Incluye: • 6 Tuercas M5 #1 • 2 Tornillos TCB TC 5 x 12 UNI 9707 TZ #5 • 6 Rondanas D. 5 x 14 INX #6 • 2 Perillas Chica #8 • 2 Tornillos M5 x 25 #18 • 2 Tornillos M5 x 35 #19 • 2 Tornillos M5 x 35 #20 • 2 Tornillos TE M 6 x 50 INOX A2 #55	1	H-8685	T80250
	Kit de la Estructura del Jalador (No se Muestra) Incluye: • 1 Soporte #2 • 1 Aditamento Conector del Codo CT15-CT30 #4 • 1 Reborde #7 • 1 Jalador de Piso Amarillo RAL1021 #9 • 1 Soporte #17 • 2 Tornillos	1	H-8686	T80251
	Kit del Brazo del Jalador (No se Muestra) Incluye: • 2 Tornillos TE 6 x 20 UNI5739 INX #21 • 2 Rondanas D.6 UNI 6592 INOX #22 • 2 Rondanas D.6 UNI 6592 INOX #23 • 2 Tuercas M6 INOX #24 • 2 Brazos #25 • 2 Tuercas M6 INOX #26 • 2 Resortes #27 • 2 Rondanas D. 6 x 18 INX UNI 6593 #38 • 1 Tornillo M6 x 140 #39 • 1 Soporte #53	1	H-8687	T80252

*Parte de un kit.

CONTINUACIÓN DE LISTA DE PARTES DEL JALADOR

#	DESCRIPCIÓN	CANT.	NO. DE PARTE ULINE	NO. DE PARTE DEL FABRICANTE
	Kit de la Placa de Motor del Cepillo (No se Muestra) Incluye: • 1 Placa #42 • 2 Tuercas M8 INX #43 • 2 Rondanas D.8 INX UNI 6592 #44 • 2 Casquillos #45 • 2 Tornillos TE M 8X 30 INX 5739 #47 • 3 Tornillos TE M5 x 12 INOX #51 • 3 Rondanas D. 5 x 14 INX #52	1	H-8688	T80256
	Kit del Cableado del Fusible (No se Muestra) Incluye: • 1 Soporte del Cableado del Fusible #43 – Lista de Partes del Tanque • 1 Cableado #64	1	H-8692	T80265
	Kit del Fusible (No se Muestra) Incluye: • 1 Fusible 30A #44 – Lista de Partes del Tanque • 1 Fusible 20A #63 – Lista de Partes del Tanque • 1 Fusible 25A #65	1	H-8693	T80266
	Kit de las Llantas del Jalador (No se Muestra) Incluye: • 3 Tornillos M5 x 20 #10 • 3 Casquillos #12 • 3 Llantas #13 • 6 Rondanas D.5 x 14 INX #14 • 3 Tuercas M5 INOX #15 • 3 Rondanas D. 5 INX GRW UNI 1751 #54 • 2 Llantas #56 • 2 Rondanas D. 5 x 14 INX #57 • 2 Tornillos TCB TC 5 x 12 UNI 9707 TZ #58	1	H-8697	T80277
	Kit de Dirección del Cepillo Incluye: • 1 Tornillo TE 8 x 20 UNI5739 INX#28 • 1 Rondana D. 8 INX GRW UNI 1751 #29 • 1 Rondana D. 8 x 24 INX UNI 6593 #30 • 1 Disco de Dirección #31 • 1 Llave 6 x 6 x 30 UNI 6604 #32	1	H-8041-DD	T80254
	Kit del Soporte del Jalador Incluye: • 4 Tornillos TE 6 x 20 UNI5739 INX #33 • 4 Rondanas D. 6 INX GRW UNI 1751 #34 • 4 Rondanas D. 6 x 18 INX UNI 6593 #35 • 1 Soporte #36 • 1 Lateral del Cuerpo SX #37	1	-----	T80253
	Kit del Motor del Cepillo Incluye: • 4 Tornillos TE 6 x 12 A2 UNI 5739 #40 • 4 Rondana D. 6 INX GRW UNI 1751 #41 • 1 Motor del Cepillo 24V CT15B #48	1	H-8041-BMTR	T80255

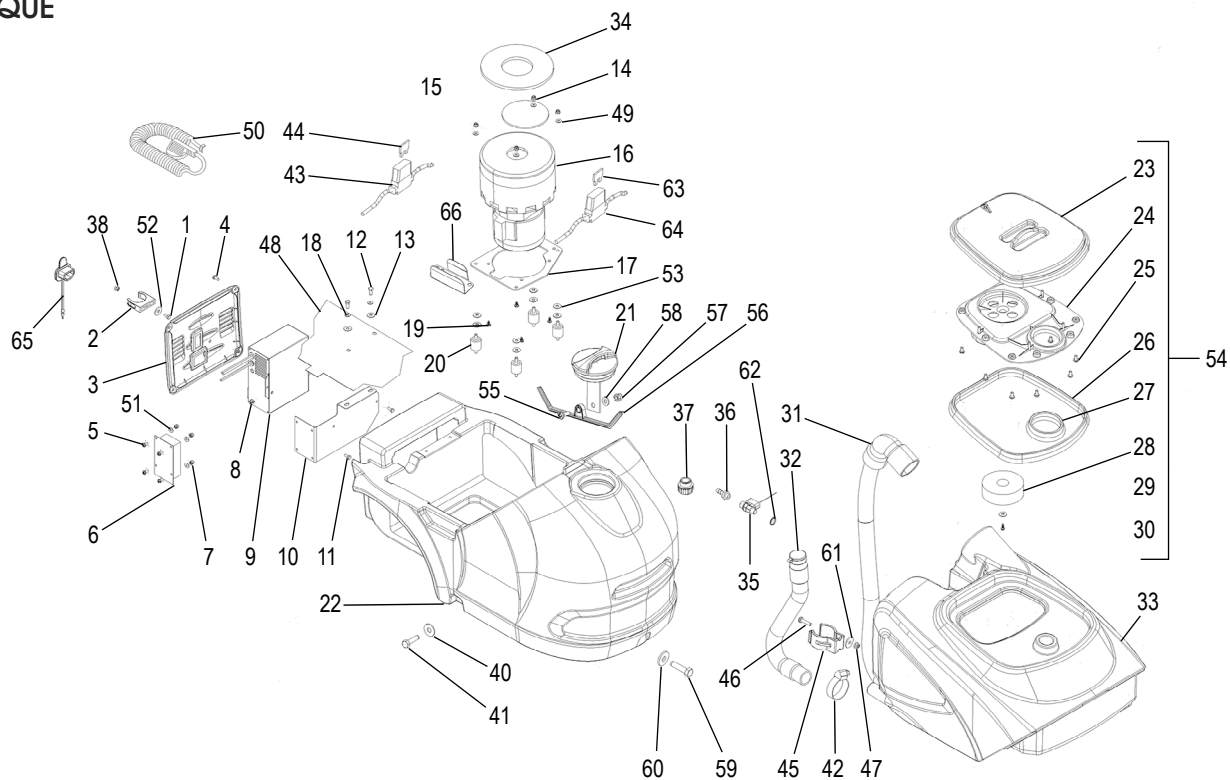
ULINE H-8041

FREGADORA DE PISOS COMPACTA AUTOMÁTICA

800-295-5510

uline.mx

TANQUE



LISTA DE PARTES DEL TANQUE

#	DESCRIPCIÓN	CANT.	NO. DE PARTE ULINE	NO. DE PARTE DEL FABRICANTE
1	Tornillo TCTC 4 x 16 Acero Inox	1	H-8689*	-----
2	Clip	1	H-8689*	-----
3	Cubierta para Cargador de Baterías	1	H-8690*	-----
4	Tornillo TBCE ISO 7380 5 x 12 ZB	4	H-8690*	-----
5	Tornillo TE M 4 x 10 ZC. UNI 5739	4	-----	T80259
6	Kit de Placa Electrónica	1	H-8041-KCPPB	KTRI04748
7	Tuerca M 4 ZIN UNI 5588	4	-----	T80259
8	Tuerca M 4 TEF UNI 7473	2	-----	T80259
9	Cargador de Baterías CBHD1 24V 5A	1	H-8041-BC	KTRI02305
10	Placa	1	-----	LAFN08893
11	Tornillo TE M 4 x 10 ZC. UNI 5739	2	-----	T80259
12	Tuerca TE M 5 x 10 UNI 5739	2	-----	T80259
13	Rondana D. 5 x 14 INX	2	-----	T80259
14	Tuerca M5 INOX	4	-----	T80260

*Parte de un kit.

CONTINUACIÓN DE LISTA DE PARTES DEL TANQUE

#	DESCRIPCIÓN	CANT.	NO. DE PARTE ULINE	NO. DE PARTE DEL FABRICANTE
15	Red de Filtro Firma INOX	1	-----	T80261
16	Motor de Aspiradora CT15-30-45-46	1	-----	T80261
16	Cepillo de Carbón del Motor de la Aspiradora	2	-----	MEVR05200
17	Placa	1	-----	T80260
18	Rondana D. 5 GRW	2	-----	T80259
19	Tornillo TCB TC 5 x 12 UNI 9707 TZ	4	-----	T80260
20	Amortiguador de Vibración	4	-----	T80260
21	Tapa para Tanque de Solución	1	-----	KTRIO2097
22	Tanque de Solución	1	H-8041-ST	MPVR05960
23	Cubierta	1	H-8699*	-----
24	Cubierta	1	H-8699*	-----
25	Tornillo TCB TC 5 x 10 UNI 9707 TZ	8	H-8699*	-----
26	Manguera de Desagüe del Tanque de Recuperación	1	H-8699*	-----
27	Junta	1	H-8699*	-----
28	Flotador	1	H-8699*	-----
29	Rondana 30 x 6 x 3	1	H-8699*	-----
30	Tornillo TCB TC 5 x 12 UNI 9707 TZ	1	H-8699*	-----
31	Manguera de Succión del Jalador	1	H-8041-STUBE	KTRIO4697
32	Manguera de Desagüe del Tanque de Recuperación	1	H-8691*	-----
33	Tanque	1	H-8041-RTBLU	MPVR05961
34	Junta	1	-----	T80261
35	Válvula A Sfera MF 1/8"	1	-----	T80262
36	Conector Portagomma 1/8" D.7	1	-----	T80262
37	Tapa de 1/2"	1	H-8700	MPVR10774
38	Tuerca M 4 INX	1	H-8689*	-----
40	Rondana D. 5 x 14 INX	3	-----	T80263
41	Tuerca TE M 5 x 35 UNI 5739	3	-----	T80263
42	Pinza Ekoflex 9 23-35	1	H-8691*	-----
43	Batería de Portafusible para Cableado CT15	1	H-8692*	-----
44	Fusible 30A	1	H-8693*	-----
45	Soporte	1	H-8698*	-----
46	Tornillo	2	H-8698*	-----
47	Tuerca M 4 TEF UNI 7473	2	H-8698*	-----
48	Protección	1	-----	MPVR05907
49	Rondana D. 5 INX GRW UNI 1751	4	-----	T80260
50	Extensión AWG18 con Enchufe EE.UU.	1	H-8041-CHRCG	MECB00923

*Parte de un kit.

CONTINUACIÓN DE LISTA DE PARTES DEL TANQUE

#	DESCRIPCIÓN	CANT.	NO. DE PARTE ULINE	NO. DE PARTE DEL FABRICANTE
51	Rondana M4	4	-----	T80259
52	Rondana 4-16 INOX A2	1	H-8689*	-----
53	Rondana D. 5 x 14 INX	8	-----	T80260
54	Tapa Superior para Agua Sucia CT15	1	-----	KTRIO1989
55	Tornillo TCB-TC 4 x 12 UNI7687 INX	1	-----	KTRIO2097
56	Placa CT15-30	1	-----	KTRIO2097
57	Tuerca M 4 ATB A2	1	-----	KTRIO2097
58	Rondana D. 4 INX	1	-----	KTRIO2097
59	Tornillo TE 5 x 35 UNI 5739	1	-----	T80263
60	Rondana D. 5 x 14 INX	1	-----	T80263
61	Rondana UNI 6592 4 x 16 ZB	2	H-8698*	-----
62	Anillo Tórico D. 6.75 x 1.78 NBR 70SH	1	-----	T80262
63	Fusible 20A	1	H-8693*	-----
64	Cableado	1	H-8692*	-----
65	Tapa IEC	1	H-8690*	-----
66	Abrazadera	1	-----	LAFN11082
	Batería para Fregadora Automática (No se Muestra)	2	H-8041-BATT	12VD33-AGM
	Kit del Clip de la Manguera del Jalador (No se Muestra) Incluye: • 1 Tornillo TCTC 4 x 16 Acero INOX #1 • 1 Clip #2 • 1 Tuerca M 4 INX #38 • 1 Rondana 4-16 INOX A2 #52	1	H-8689	T80257
	Kit de la Cubierta del Cargador de la Batería (No se Muestra) Incluye: • 1 Cubierta del Cargador de la Batería CT15 #3 • 4 Tornillos TBCE ISO 7380 5 x 12 ZB #4 • 1 Tapa IEC #65	1	H-8690	T80258
	Kit de la Manguera de Drenaje (No se Muestra) Incluye: • 1 Tanque de Recuperación del Tubo de Drenaje CT15 #32 • 1 Abrazadera Ekoflex 9 23-35 #42	1	H-8691	T80264
	Kit del Cableado del Fusible (No se Muestra) Incluye: • 1 Soporte del Cableado del Fusible CT15 Batería #43 • 1 Cableado #64	1	H-8692	T80265
	Kit del Fusible (No se Muestra) Incluye: • 1 Fusible 30A #44 • 1 Fusible 20A #63 • 1 Fusible 25A #65 – Lista de Partes del Jalador	1	H-8693	T80266
	Kit del Clip de la Manguera de Drenaje (No se Muestra) Incluye: • 1 Soporte #45 • 2 Tornillos #46 • 2 Tuercas M 4 TEF UNI 7473 #47 • 2 Rondanas UNI 6592 4 x 16 ZB #61	1	H-8698	T80278

*Parte de un kit.

CONTINUACIÓN DE LISTA DE PARTES DEL TANQUE

#	DESCRIPCIÓN	CANT.	NO. DE PARTE ULINE	NO. DE PARTE DEL FABRICANTE
	Kit de Tornillería del Jalador (No se Muestra) Incluye: • 1 Cubierta #23 • 1 Cubierta #24 • 8 Tornillos TCB TC 5 x 10 UNI 9707 TZ #25 • 1 Tapa del Empaque del Tanque de Recuperación CT15 #26 • 1 Empaque #27 • 1 Flotador #28 • 1 Rondana 30 x 6 x 3 #29 • 1 Tornillo TCB TC 5 x 12 UNI 9707 TZ #30	1	H-8699	KTR101989
	Kit de Tornillería del Compartimento Eléctrico Incluye: • 4 Tornillos TE M 4 x 10 ZC. UNI 5739 #5 • 4 Tuercas M 4 ZIN UNI 5588 #7 • 2 Tuercas M 4 TEF UNI 7473 #8 • 2 Tornillos TE M 4 x 10 ZC. UNI 5739 #11 • 2 Tornillos TE M 5 x 10 UNI 5739 #12 • 2 Rondanas D. 5 x 14 INX #13 • 2 Rondanas D. 5 GRW #18 • 4 Rondanas M4 #51	1	-----	T80259
	Kit de Tornillería del Motor de Aspiradora Incluye: • 4 Tuercas M5 INOX #14 • 1 Placa #17 • 4 Tornillos TCB TC 5 x 12 UNI 9707 TZ #19 • 4 Amortiguador de Vibración #20 • 4 Rondanas D. 5 INX GRW UNI 1751 #49 • 8 Rondanas D. 5 x 14 INX #53	1	H-9424-VMHK	T80260
	Kit del Motor de Aspiradora Incluye: • 1 Filtro Net Firma INOX #15 • 1 Motor de Aspiradora CT15-30-45-46 #16 • 1 Set de Junta #34	1	H-9424-MOTOR	T80261
	Kit de Válvula de Solución Incluye: • 1 Válvula A SFERA MF 1/8" #35 • 1 Conector Portagomma 1/8" D.7 #36 • 1 Anillo Tórico D. 6.75 x 1.78 NBR 70SH #62	1	-----	T80262
	Kit de Tornillería Incluye: • 3 Rondanas D. 5 x 14 INX #40 • 3 Tornillos TE M 5 x 35 UNI 5739 #41 • 1 Tornillo TE 5 x 35 UNI 5739 #59 • 1 Rondana D. 5 x 14 INX #60	1	-----	T80263
	Kit de Tapa para Tanque de Solución Incluye: • 1 Tapa para Tanque de Solución #21 • 1 Tornillo TCB-TC 4 x 12 UNI7687 INX #55 • 1 Placa CT15-30 #56 • 1 Tuerca M 4 ATB A2 #57 • 1 Rondana D. 4 INX #58	1	H-8041-CAP	KTR102097

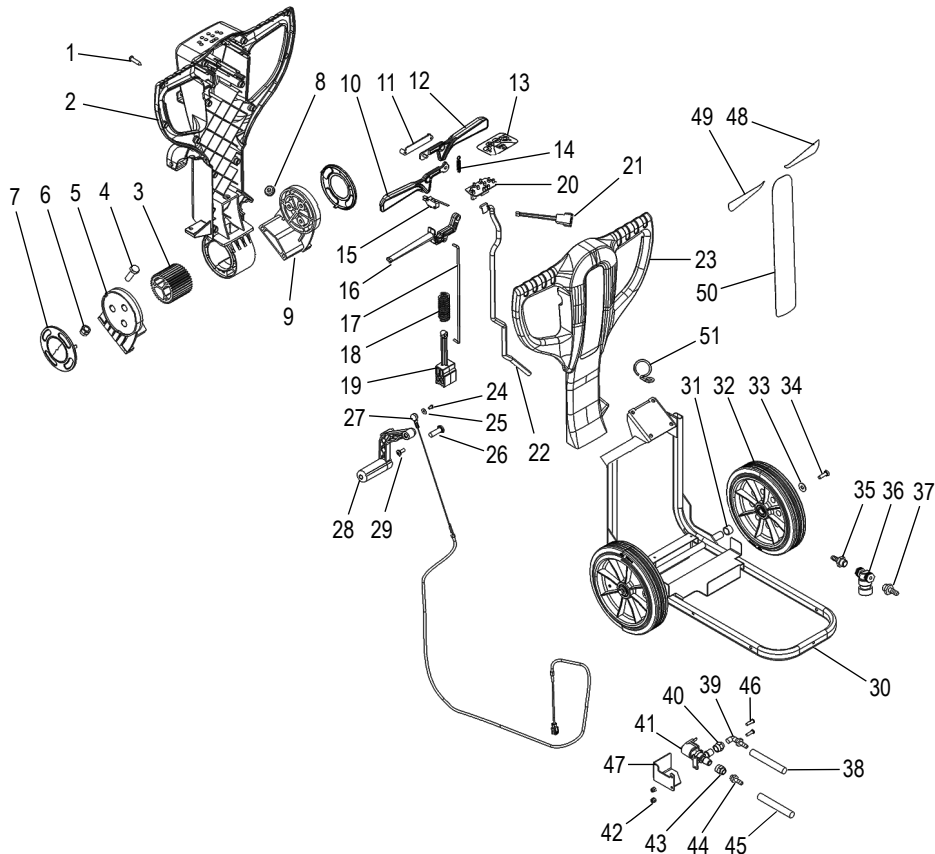
ULINE H-8041

FREGADORA DE PISOS COMPACTA AUTOMÁTICA

800-295-5510

uline.mx

ARMAZÓN



LISTA DE PARTES DEL ARMAZÓN

#	DESCRIPCIÓN	CANT.	NO. DE PARTE ULINE	NO. DE PARTE DEL FABRICANTE
1	Tornillo 4, 8 x 19	14	-----	T80267
2	Cárter	1	-----	T80267
3	Engranaje	1	-----	MPVR06056
4	Tornillo TBCE ISO 7380 8 x 22 ZB	4	-----	T80268
5	Carcasa DX	1	-----	T80268
6	Tuerca M 8 BASSO	4	-----	T80268
7	Cubierta	2	-----	T80268
8	Guía	1	-----	T80269
9	Carcasa SX	1	-----	T80268
10	Palanca DX	1	-----	T80270
11	Tarjeta de Soporte Electrónico	1	-----	MPVR06298
12	Palanca SX	1	-----	T80270
13	Tablero de Etiqueta CT15-30-45 ECO	1	-----	T80267
14	Resorte	1	-----	T80270
15	Microinterruptor TRZ. DRW	1	H-8041-MCRSW	MECI36393
16	Ajuste para Palanca	1	-----	T80271

**FREGADORA DE PISOS
COMPACTA AUTOMÁTICA****CONTINUACIÓN DE LISTA DE PARTES DEL ARMAZÓN**

#	DESCRIPCIÓN	CANT.	NO. DE PARTE ULINE	NO. DE PARTE DEL FABRICANTE
17	Varilla de la Palanca	1	-----	T80271
18	Resorte	1	-----	T80271
19	Soporte para Asa	1	-----	T80271
20	Kit de Placa Electrónica	1	H-8041-KCPPB	KTR104748
21	Botón Pulsador para Cableado CT45 C	1	-----	MECB01324
22	Cableado	1	-----	T80269
23	Asa Frontal para Cáster 15-30-45	1	-----	T80267
24	Tornillo TC 4 x 12 ZN	1	H-8694*	-----
25	Rondana 4-16 INOX A2	1	H-8694*	-----
26	Pasador	1	H-8694*	-----
27	Cable para Levantar Jalador CT15-30	1	H-8694*	-----
28	Palanca para Levantar Jalador PP	1	H-8041-LSLPP	MPVR49942
29	Tornillo TC 6 x 12	1	H-8694*	-----
30	Armazón	1	-----	LAFN08895
31	Casquillo	2	H-8695*	-----
32	Llanta Gris D.250 CT15-30-45	2	H-8695*	-----
33	Rondana D. 8 x 24 ZC.	2	H-8695*	-----
34	Tornillo TE 8 x 16 UNI 5739	2	H-8695*	-----
35	Conector	1	H-8696*	-----
36	Ensamble del Filtro	1	H-8696*	-----
37	Conector	1	H-8696*	-----
38	Tubo	1	-----	T80275
39	Conector de Manguera 1/8" D.7	1	-----	T80275
40	Conector – Armazón	1	-----	T80275
41	Válvula Solenoide	1	H-8041-SVALV	PMVR01883
42	Tuerca M4 ATB A2	2	-----	T80276
43	Conector – Armazón	1	-----	T80275
44	Conector – Manguera 1/8" D.7	1	-----	T80275
45	Tubo – Armazón	1	-----	T80275
46	Tornillo TCTC 4 x 16	2	-----	T80276
47	Protección – Válvula Solenoide	1	-----	T80276
48	Etiqueta – Palanca de Marcha	1	-----	T80270
49	Etiqueta – Palanca de Marcha	1	-----	T80270
50	Etiqueta – Palanca de Marcha	1	-----	T80267
51	Gancho	1	-----	LAFN11049
	Kit del Cableado del Jalador (No se Muestra) Incluye: • 1 Tornillo TC 4 x 12 ZN #24 • 1 Rondana 4-16 INOX A2 #25 • 1 Pasador #26 • 1 Cableado del Jalador de Elevación CT15-30 #27 • 1 Tornillo TC 6 x 12 #29	1	H-8694	T80272

*Parte de un kit.

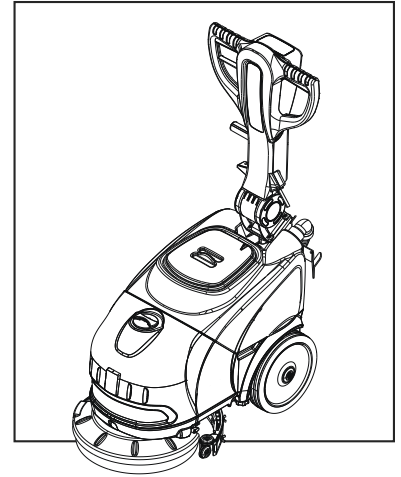
CONTINUACIÓN DE LISTA DE PARTES DEL ARMAZÓN

#	DESCRIPCIÓN	CANT.	NO. DE PARTE ULINE	NO. DE PARTE DEL FABRICANTE
	Kit de Llantas (No se Muestra) Incluye: • 2 Casquillo #31 • 2 Llantas Grises D.250 CT 15-30-45 #32 • 2 Rondanas D. 8 x 24 ZC. #33 • 2 Tornillos TE 8 x 16 UNI 5739 #34	1	H-8695	T80273
	Kit del Filtro de Agua (No se Muestra) Incluye: • 1 Conector #35 • 1 Ensamble del Filtro #36 • 1 Conector #37	1	H-8696	T80274
	Kit de Cubierta del Asa Incluye: • 14 Tornillos 4, 8 x 19 #1 • 1 Cáster #2 • 1 Etiqueta del Tablero CT15-30-45 ECO #13 • 1 Asa Frontal del Cáster 15-30-45 #23 • 1 Etiqueta – Palanca Frontal #50	1	H-9424-HNDL	T80267
	Kit de Cubierta de Base del Asa Incluye: • 4 Tornillos TBCE ISO 7380 8 x 22 ZB #4 • 1 Carcasa DX #5 • 4 Tuercas M8 BASSO #6 • 2 Cubiertas #7 • 1 Carcasa SX #9	1	H-8041-HNMT	T80268
	Kit del Cable Plano Incluye: • 1 Guía #8 • 1 Cableado #22	1	H-9424-FCABL	T80269
	Kit del Asa de Gatillo Incluye: • 1 Palanca DX #10 • 1 Palanca SX #12 • 1 Resorte #14 • 1 Etiqueta – Palanca de Dirección #48 • 1 Etiqueta – Palanca de Dirección #49	1	-----	T80270
	Kit de Ajuste del Asa Incluye: • 1 Ajuste de Palanca #16 • 1 Varilla de Palanca #17 • 1 Resorte #18 • 1 Soporte de Asa #19	1	H-9424-HANDL	T80271
	Kit de Línea de Solución Incluye: • 1 Tubo #38 • 1 Manguera Conectora 1/8" D.7 #39 • 1 Conector – Armazón #40 • 1 Conector – Armazón #43 • 1 Conector – Manguera 1/8" D.7#44 • 1 Tubo – Armazón #45	1	H-8041-CF	T80275
	Kit de Protector del Solenoide Incluye: • 2 Tuercas M4 ATB A2 #42 • 2 Tornillos TCTC 4 x 16 #46 • 1 Válvula de Protección del Solenoide #47	1	-----	T80276

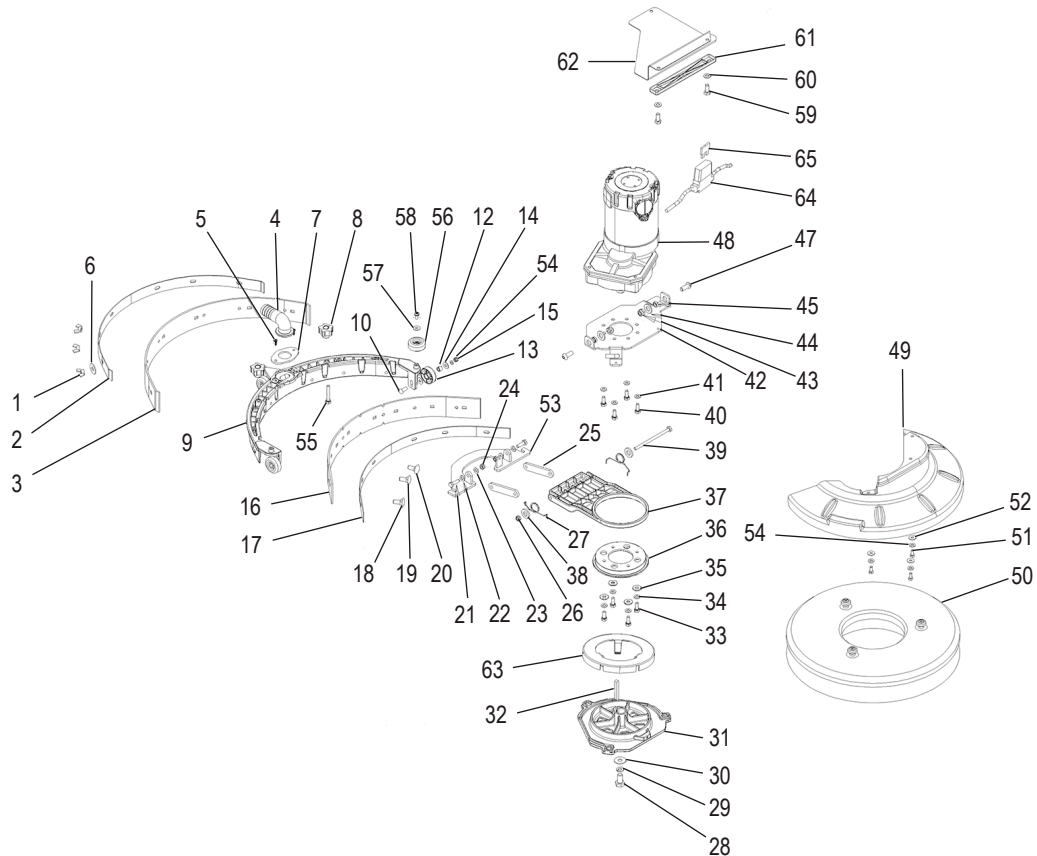
ULINE H-8041

AUTOLAVEUSE À PLANCHER COMPACTE

1 800 295-5510
uline.ca



RACLETTE



LISTE DES PIÈCES DE LA RACLETTE

#	DESCRIPTION	QTÉ	RÉF. ULINE	RÉF. DU FABRICANT
1	Écrou M5	6	H-8685*	-----
2	Support	1	H-8686*	-----
3	Lamelle de raclette arrière en latex CT15	1	H-8041-RSQG	MPVR05918
4	Coude de raccordement CT15-CT30	1	H-8686*	-----
5	Vis TCB TC 5 x 12 UNI 9707 TZ	2	H-8697*	-----
6	Rondelle D. 5 x 14 INX	6	H-8685*	-----
7	Bride	1	H-8686*	-----
8	Petit bouton	2	H-8685*	-----

*Pièce d'un ensemble.

ULINE H-8041

AUTOLAVEUSE À PLANCHER COMPACTE

1 800 295-5510
uline.ca

LISTE DES PIÈCES DE LA RACLETTE SUITE

#	DESCRIPTION	QTÉ	RÉF. ULINE	RÉF. DU FABRICANT
9	Essuie-sol jaune RAL1021	1	H-8686*	-----
10	Vis M5 x 20	3	H-8697*	-----
12	Bague	3	H-8697*	-----
13	Roue	3	H-8697*	-----
14	Rondelle D. 5 x 14 INX	6	H-8697*	-----
15	Écrou M5 INOX	3	H-8697*	-----
16	Lamelle de raclette avant en latex CT15	1	H-8041-FSQG	MPVR05917
17	Support	1	H-8686*	-----
18	Vis M5 x 25	2	H-8685*	-----
19	Vis M5 x 35	2	H-8685*	-----
20	Vis M5 x 35	2	H-8685*	-----
21	Vis TE 6 x 20 UNI5739 INX	2	H-8687*	-----
22	Rondelle D. 6 UNI 6592 INOX	2	H-8687*	-----
23	Rondelle D. 6 UNI 6592 INOX	2	H-8687*	-----
24	Écrou M6 INOX	2	H-8687*	-----
25	Bras	2	H-8687*	-----
26	Écrou M6 INOX	1	H-8687*	-----
27	Ressort	2	H-8687*	-----
28	Vis TE 8 x 20 UNI5739 INX	1	H-8041-DD	T80254
29	Rondelle D. 8 INX GRW UNI 1751	1	H-8041-DD	T80254
30	Rondelle D. 8 x 24 INX UNI 6593	1	H-8041-DD	T80254
31	Disque d'entraînement	1	H-8041-DD	T80254
32	Clé 6X 6 x 30 UNI 6604	1	H-8041-DD	T80254
33	Vis TE 6 x 20 UNI5739 INX	4	-----	T80253
34	Rondelle D. 6 INX GRW UNI 1751	4	-----	T80253
35	Rondelle D. 6 x 18 INX UNI 6593	4	-----	T80253
36	Support	1	-----	T80253
37	Châssis SX	1	-----	T80253
38	Rondelle D. 6 x 18 INX UNI 6593	2	H-8687*	-----
39	Vis M6 x 140	1	H-8687*	-----
40	Vis TE 6 x 12 A2 UNI 5739	4	-----	T80255
41	Rondelle D. 6 INX GRW UNI 1751	4	-----	T80255
42	Plaque	1	H-8688*	-----
43	Écrou M8 INX	2	H-8688*	-----
44	Rondelle D. 8 INX UNI 6592	2	H-8688*	-----
45	Bague	2	H-8688*	-----
47	Vis TE M 8X 30 INX 5739	2	H-8688*	-----
48	Balai de moteur CT15B, 24 V	1	H-8041-BMTR	T80255
49	Couvercle de tête de brosse CT15, 24 V	1	H-8041-CBRHD	MPVR05827

*Pièce d'un ensemble.

ULINE H-8041

AUTOLAVEUSE À PLANCHER COMPACTE

1 800 295-5510

uline.ca

LISTE DES PIÈCES DE LA RACLETTE SUITE

#	DESCRIPTION	QTÉ	RÉF. ULINE	RÉF. DU FABRICANT
50	Brosse en nylon CT 15 D. 350	1	H-8041-BRUSH	SPPV01481
51	Vis TE M5 x 12 INOX	3	H-8688*	-----
52	Rondelle D. 5 x 14 INX	3	H-8688*	-----
53	Soutien	1	H-8687*	-----
54	Rondelle D. 5 INX GRW UNI 1751	3	H-8697*	-----
55	Vis TE M 6 x 50 INOX A2	2	H-8685*	-----
56	Roue	2	H-8697*	-----
57	Rondelle D. 5 x 14 INX	2	H-8697*	-----
58	Vis TCB TC 5 x 12 UNI 9707 TZ	2	H-8697*	-----
59	Vis TE M5 x 12 INOX	2	-----	VTVT01300
60	Rondelle D. 5 x 14 INX	2	-----	VTRS13750
61	Support	1	-----	MPVR06259
62	Couvercle	1	-----	MPVR06257
63	Convoyeur	1	-----	MPVR06045
64	Câblage	1	H-8692*	-----
65	Fusible, 25 A	1	H-8693*	-----
	Emballage de l'ensemble complet de la raclette (non illustré)	1	H-8041-SQGAS	PMVR01885
	Matériel d'installation de raclette (non illustré) Comprend : • Écrou M5 n° 1 (6) • Vis TCB TC 5 x 12 UNI 9707 TZ n° 5 (2) • Rondelle D. 5 x 14 INX n° 6 (6) • Petit bouton n° 8 (2) • Vis M5 x 25 n° 18 (2) • Vis M5 x 35 n° 19 (2) • Vis M5 x 35 n° 20 (2) • Vis TE M 6 x 50 INOX A2 n° 55 (2)	1	H-8685	T80250
	Corps de raclette (non illustré) Comprend : • Support n° 2 (1) • Coude de accordement CT15-CT30 n° 4 (1) • Bride n° 7 (1) • Essuie-sol jaune RAL1021 n° 9 (1) • Support n° 17 (1) • Vis (2)	1	H-8686	T80251
	Ensemble de bras de raclette (non illustré) Comprend : • Vis TE 6 x 20 UNI5739 INX n° 21 (2) • Rondelle D.6 UNI 6592 INOX n° 22 (2) • Rondelle D.6 UNI 6592 INOX n° 23 (2) • Écrou M6 INOX n° 24 (2) • Bras n° 25 (2) • Écrou M6 INOX n° 26 (1) • Ressort n° 27 (2) • Rondelle D. 6 x 18 INX UNI 6593 n° 38 (2) • Vis M6 x 140 n° 39 (1) • Support n° 53 (1)	1	H-8687	T80252

*Pièce d'un ensemble.

ULINE H-8041

AUTOLAVEUSE À PLANCHER COMPACTE

1 800 295-5510

uline.ca

LISTE DES PIÈCES DE LA RACLETTE SUITE

#	DESCRIPTION	QTÉ	RÉF. ULINE	RÉF. DU FABRICANT
	Ensemble de plaque du moteur à brosse (non illustré) Comprend : <ul style="list-style-type: none"> • Plaque n° 42 (1) • Écrou M8 INX n° 43 (2) • Rondelle D. 8 INX UNI 6592 n° 44 (2) • Bague n° 45 (2) • Vis TE M 8X 30 INX 5739 n° 47 (2) • Vis TE M5 x 12 INOX n° 51 (3) • Rondelle D. 5 x 14 INX n° 52 (3) 	1	H-8688	T80256
	Ensemble de fusibles de câblage (non illustré) Comprend : <ul style="list-style-type: none"> • Porte-fusible de câblage n° 43 – Liste des pièces du réservoir (1) • Câblage n° 64 (1) 	1	H-8692	T80265
	Ensemble de fusibles (non illustré) Comprend : <ul style="list-style-type: none"> • Fusible 30 A n° 44 – Liste des pièces du réservoir (1) • Fusible 20 A n° 63 – Liste des pièces du réservoir (1) • Fusible 25 A n° 65 (1) 	1	H-8693	T80266
	Ensemble de roue de raclette (non illustré) Comprend : <ul style="list-style-type: none"> • Vis M5 x 20 n° 10 (3) • Bague n° 12 (3) • Roue n° 13 (3) • Rondelle D.5 x 14 INX n° 14 (6) • Écrou M5 INOX n° 15 (3) • Rondelle D. 5 INX GRW UNI 1751 n° 54 (3) • Roue n° 56 (2) • Rondelle D. 5 x 14 INX n° 57 (2) • Vis TCB TC 5 x 12 UNI 9707 TZ n° 58 (2) 	1	H-8697	T80277
	Ensemble de la brosse Comprend : <ul style="list-style-type: none"> • Vis TE 8 x 20 UNI 5739 INX n° 28 (1) • Rondelle D. 8 INX GRW UNI 1751 n° 29 (1) • Rondelle D. 8 x 24 INX UNI 6593 n° 30 (1) • Disque d'entraînement n° 31 (1) • Clé 6 x 6 x 30 UNI 6604 n° 32 (1) 	1	H-8041-DD	T80254
	Ensemble du support de la raclette Comprend : <ul style="list-style-type: none"> • Vis TE 6 x 20 UNI 5739 INX n° 33 (1) • Rondelle D. 6 INX GRW UNI 1751 n° 34 (4) • Rondelle D. 6 x 18 INX UNI 6593 n° 35 (4) • Support n° 36 (1) • Châssis SX n° 37 (1) 	1	-----	T80253
	Ensemble du moteur de la brosse Comprend : <ul style="list-style-type: none"> • Vis TE 6 x 12 A2 UNI 5739 n° 40 (4) • Rondelle D. 6 INX GRW UNI 1751 n° 41 (4) • Balai de moteur 24 V CT15B n° 48 (1) 	1	H-8041-BMTR	T80255

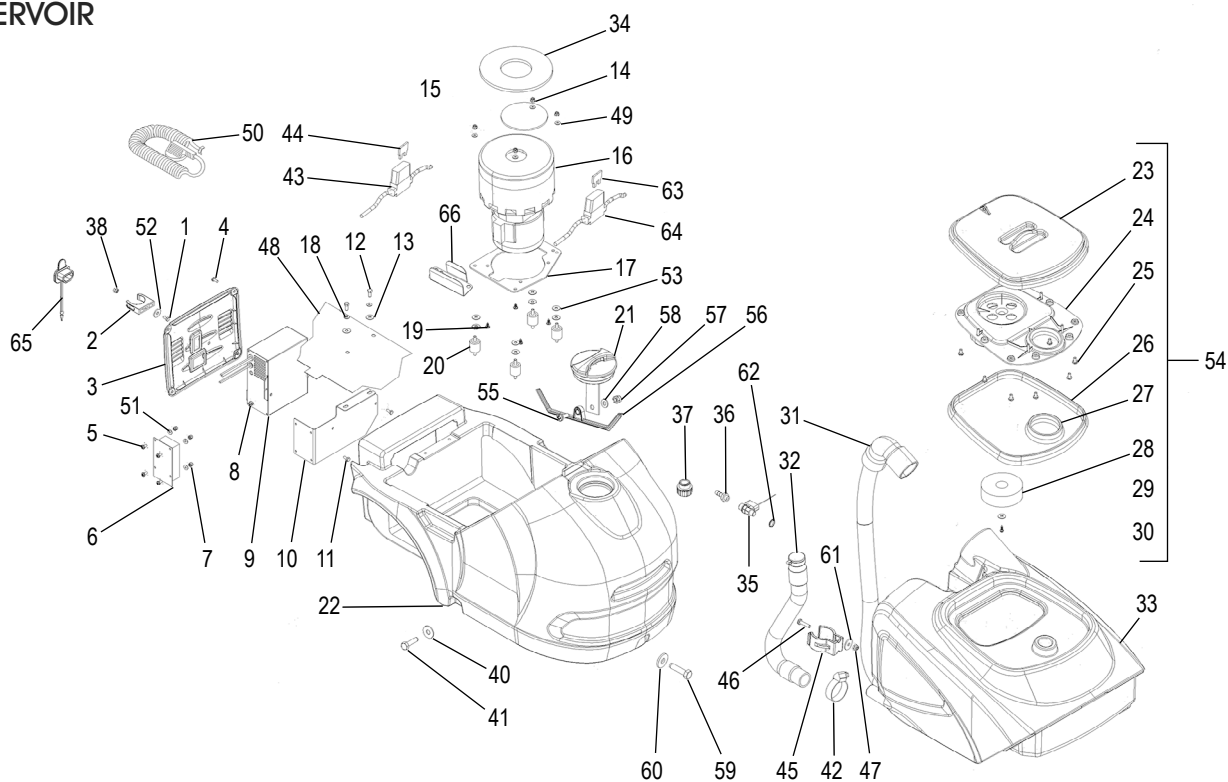
ULINE H-8041

AUTOLAVEUSE À PLANCHER COMPACTE

1 800 295-5510

uline.ca

RÉSERVOIR



Liste des pièces du réservoir

#	DESCRIPTION	QTÉ	RÉF. ULINE	RÉF. DU FABRICANT
1	Vis TCTC 4 x 16 Acier INOX	1	H-8689*	-----
2	Pince	1	H-8689*	-----
3	Couvercle de chargeur de batterie CT15	1	H-8690*	-----
4	Vis TBCE ISO 7380 5 x 12 ZB	4	H-8690*	-----
5	Vis TE M 4 x 10 ZC. UNI 5739	4	-----	T80259
6	Ensemble de carte électronique	1	H-8041-KCPPB	KTRIO4748
7	Écrou M 4 ZIN UNI 5588	4	-----	T80259
8	Écrou M 4 TEF UNI 7473	2	-----	T80259
9	Chargeur de batterie CBHD1, 24 V, 5 A	1	H-8041-BC	KTRIO2305
10	Plaque	1	-----	LAFN08893
11	Vis TE M 4 x 10 ZC. UNI 5739	2	-----	T80259
12	Vis TE M 5 x 10 UNI 5739	2	-----	T80259
13	Rondelle D. 5 x 14 INX	2	-----	T80259
14	Écrou M5 INOX	4	-----	T80260
15	Filtre Net Firma INOX	1	-----	T80261

*Pièce d'un ensemble.

ULINE H-8041

AUTOLAVEUSE À PLANCHER COMPACTE

1 800 295-5510
uline.ca

LISTE DES PIÈCES DU RÉSERVOIR SUITE

#	DESCRIPTION	QTÉ	RÉF. ULINE	RÉF. DU FABRICANT
16	Moteur d'aspirateur CT15-30-45-46	1	-----	T80261
16	Balai de carbone du moteur d'aspirateur	2	-----	MEVR05200
17	Plaque	1	-----	T80260
18	Rondelle D. 5 GRW	2	-----	T80259
19	Vis TCB TC 5 x 12 UNI 9707 TZ	4	-----	T80260
20	Amortisseur de vibrations	4	-----	T80260
21	Capuchon de réservoir de solution	1	-----	KTRIO2097
22	Réservoir de solution	1	H-8041-ST	MPVR05960
23	Couvercle	1	H-8699*	-----
24	Couvercle	1	H-8699*	-----
25	Vis TCB TC 5 x 10 UNI 9707 TZ	8	H-8699*	-----
26	Joint d'étanchéité du couvercle de réservoir de récupération CT15	1	H-8699*	-----
27	Joint d'étanchéité	1	H-8699*	-----
28	Flotteur	1	H-8699*	-----
29	Rondelle 30 x 6 x 3	1	H-8699*	-----
30	Vis TCB TC 5 x 12 UNI 9707 TZ	1	H-8699*	-----
31	Tuyau de succion de la raclette	1	H-8041-STUBE	KTRIO4697
32	Tuyau de vidange du réservoir de récupération	1	H-8691*	-----
33	Réservoir	1	H-8041-RTBLU	MPVR05961
34	Joint d'étanchéité	1	-----	T80261
35	Valve A Sphère MF de 1/8 po	1	-----	T80262
36	Raccord de tuyau D.7 de 1/8 po	1	-----	T80262
37	Capuchon de 1/2 po	1	H-8700	MPVR10774
38	Écrou M 4 INX	1	H-8689*	-----
40	Rondelle D. 5 x 14 INX	3	-----	T80263
41	Vis TE M 5 x 35 UNI 5739	3	-----	T80263
42	Collier de serrage Ekoflex 9 23-35	1	H-8691*	-----
43	Porte-fusible de câblage CT15 de batterie	1	H-8692*	-----
44	Fusible, 30 A	1	H-8693*	-----
45	Soutien	1	H-8698*	-----
46	Vis	2	H-8698*	-----
47	Écrou M 4 TEF UNI 7473	2	H-8698*	-----
48	Protection	1	-----	MPVR05907
49	Rondelle D. 5 INX GRW UNI 1751	4	-----	T80260
50	Fil de rallonge AWG18 US	1	H-8041-CHRCG	MECB00923
51	Rondelle M4	4	-----	T80259
52	Rondelle 4-16 INOX A2	1	H-8689*	-----
53	Rondelle D. 5 x 14 INX	8	-----	T80260
54	Couvercle supérieur d'eau sale CT15	1	-----	KTRIO1989

*Pièce d'un ensemble.

ULINE H-8041

AUTOLAVEUSE À PLANCHER COMPACTE

1 800 295-5510

uline.ca

LISTE DES PIÈCES DU RÉSERVOIR SUITE

#	DESCRIPTION	QTÉ	RÉF. ULINE	RÉF. DU FABRICANT
55	Vis TCB-TC 4 x 12 UNI7687 INX	1	-----	KTRIO2097
56	Plaque CT15-30	1	-----	KTRIO2097
57	Écrou M 4 ATB A2	1	-----	KTRIO2097
58	Rondelle D. 4 INX	1	-----	KTRIO2097
59	Vis TE 5 x 35 UNI 5739	1	-----	T80263
60	Rondelle D. 5 x 14 INX	1	-----	T80263
61	Rondelle UNI 6592 4 x 16 ZB	2	H-8698*	-----
62	Joint torique D. 6,75 x 1,78 NBR 70SH	1	-----	T80262
63	Fusible 20 A	1	H-8693*	-----
64	Câblage	1	H-8692*	-----
65	Capuchon CEI	1	H-8690*	-----
66	Support	1	-----	LAFN11082
	Batterie pour autolaveuse (non illustrée)	2	H-8041-BATT	12VD33-AGM
	Collier de serrage pour tuyau de raclette (non illustré) Comprend : • Vis TCTC 4 x 16 Acier INOX #1 (1) • Collier de serrage n° 2 (1) • Écrou M 4 INX n° 38 (1) • Rondelle 4-16 INOX A2 n° 52 (1)	1	H-8689	T80257
	Couvercle de chargeur de batterie (non illustré) Comprend : • Couvercle de chargeur de batterie CT15 n° 3 (1) • Vis TBCE ISO 7380 5 x 12 ZB n° 4 (4) • Embout CEI n° 65 (1)	1	H-8690	T80258
	Tuyau d'évacuation (non illustré) Comprend : • Tube de réservoir de récupération CT15 n° 32 (1) • Collier Ekoflex 9 23-35 n° 42 (1)	1	H-8691	T80264
	Ensemble de fusibles de câblage (non illustré) Comprend : • Porte-fusible de câblage CT15 batterie n° 43 (1) • Câblage n° 64 (1)	1	H-8692	T80265
	Ensemble de fusibles (non illustré) Comprend : • Fusible 30 A n° 44 (1) • Fusible 20 A n° 63 • Fusible 25 A n° 65 (1) – Liste des pièces de la raclette (1)	1	H-8693	T80266
	Ensemble de collier de serrage du tuyau d'évacuation (non illustré) Comprend : • Support n° 45 (1) • Vis n° 46 (2) • Écrou M 4 TEF UNI 7473 n° 47 (2) • Rondelle UNI 6592 4 x 16 ZB n° 61 (2)	1	H-8698	T80278

*Pièce d'un ensemble.

LISTE DES PIÈCES DU RÉSERVOIR SUITE

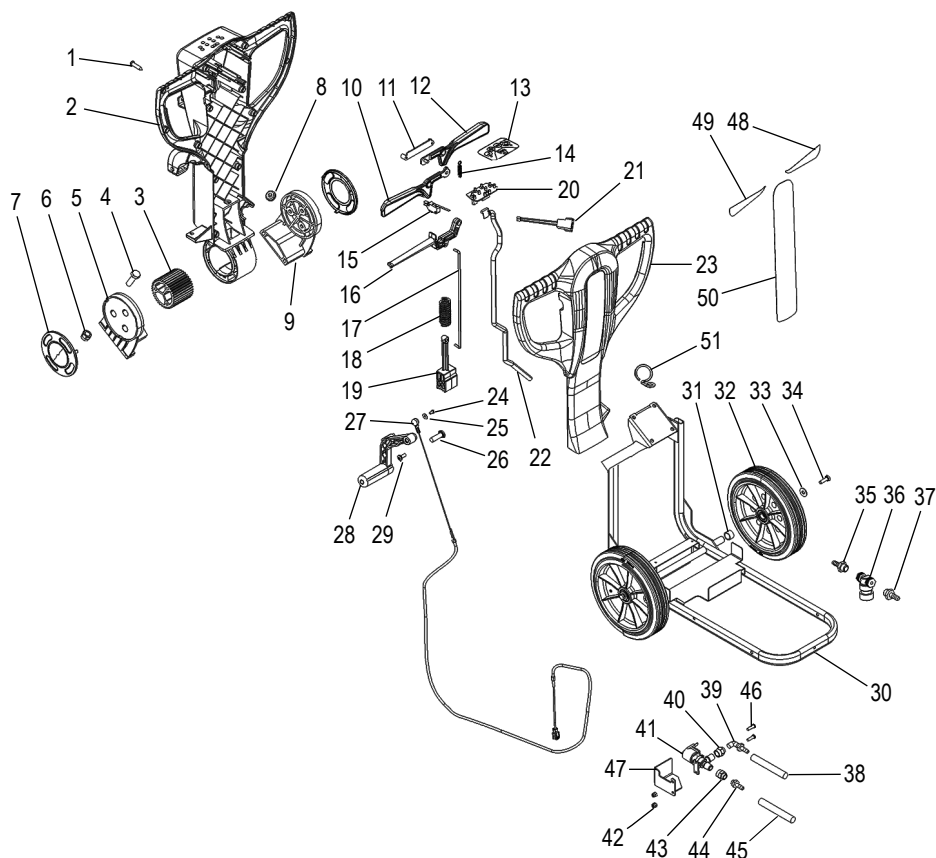
#	DESCRIPTION	QTÉ	RÉF. ULINE	RÉF. DU FABRICANT
	Matériel d'installation de raclette (non illustré) Comprend : <ul style="list-style-type: none"> • Couvercle n° 23 (1) • Couvercle n° 24 (1) • Vis TCB TC 5 x 10 UNI 9707 TZ n° 25 (8) • Joint d'étanchéité du couvercle du tuyau de réservoir de récupération CT15 n° 26 (1) • Joint d'étanchéité n° 27 (1) • Flotteur n° 28 (1) • Rondelle 30 x 6 x 3 n° 29 (1) • Vis TCB TC 5 x 12 UNI 9707 TZ n° 30 (1) 	1	H-8699	KTRIO1989
	Ensemble de matériel du compartiment électrique Comprend : <ul style="list-style-type: none"> • Vis TE M 4 x 10 ZC. UNI 5739 INX n° 5 (4) • Écrou M 4 ZIN UNI 5588 n° 7 (4) • Écrou M 4 TEF UNI 7473 n° 8 (2) • Vis TE M 4 x 10 ZC. UNI 5739 INX n° 11 (2) • Vis TE M 5 x 10 UNI 5739 INX n° 12 (2) • Rondelle D. 5 x 14 INX n° 13 (2) • Rondelle D. 5 GRW n° 18 (2) • Rondelle M4 n° 51 (4) 	1	-----	T80259
	Ensemble de matériel du moteur d'aspirateur Comprend : <ul style="list-style-type: none"> • Écrou M5 INOX n° 14 (4) • Plaque n° 17 (1) • Vis TBC TC 5 x 12 UNI 9707 TZ n° 19 (4) • Amortisseur de vibrations n° 20 (4) • Rondelle D. 5 INX GRW UNI 1751 n° 49 (4) • Rondelle D. 5 x 14 INX n° 53 (8) 	1	H-9424-VMHK	T80260
	Ensemble de moteur d'aspirateur Includes: <ul style="list-style-type: none"> • Filtre Net Firma INOX n° 15 (1) • Moteur d'aspirateur CT15-30-45-46 n° 16 (1) • Joint d'étanchéité n° 34 (1) 	1	H-9424-MOTOR	T80261
	Ensemble de valve à solution Comprend : <ul style="list-style-type: none"> • Valve A Sphere MF 1/8 po n° 35 (1) • Raccord de tuyau 1/8 po D.7 n° 36 (1) • Joint torique D. 6,75 x 1,78 NBR 70SH n° 62 (1) 	1	-----	T80262
	Ensemble de matériel Comprend : <ul style="list-style-type: none"> • Rondelle D. 5 x 14 INX n° 40 (3) • Vis TE M 5 x 35 UNI 5739 n° 41 (3) • Vis TE 5 x 35 UNI 5739 n° 59 (1) • Rondelle D. 5 x 14 INX n° 60 (1) 	1	-----	T80263
	Ensemble de capuchon de réservoir de solution Comprend : <ul style="list-style-type: none"> • Capuchon de réservoir de solution n° 21 (1) • Vis TBC-TC 4 x 12 UNI 7687 INX n° 55 (1) • Plaque CT15-30 n° 56 (1) • Écrou M5 ATB A2 n° 57 (1) • Rondelle D. 4 INX n° 58 (1) 	1	H-8041-CAP	KTRIO2097

ULINE H-8041

AUTOLAVEUSE À PLANCHER COMPACTE

1 800 295-5510
uline.ca

CHÂSSIS



LISTE DES PIÈCES DU CHÂSSIS

#	DESCRIPTION	QTÉ	RÉF. ULINE	RÉF. DU FABRICANT
1	Vis 4, 8 x 19	14	-----	T80267
2	Carter	1	-----	T80267
3	Engrenage	1	-----	MPVR06056
4	Vis TBCE ISO 7380 8 x 22 ZB	4	-----	T80268
5	Coque DX	1	-----	T80268
6	Écrou M8 inférieur	4	-----	T80268
7	Couvercle	2	-----	T80268
8	Guide-câble	1	-----	T80269
9	Coque SX	1	-----	T80268
10	Levier DX	1	-----	T80270
11	Carte électronique d'assistance	1	-----	MPVR06298
12	Levier SX	1	-----	T80270
13	Étiquette de tableau de bord CT15-30-45 ECO	1	-----	T80267
14	Ressort	1	-----	T80270
15	Microcontact TRZ. DRW	1	H-8041-MCRSW	MECI36393
16	Levier d'ajustement	1	-----	T80271
17	Tige de levier	1	-----	T80271

ULINE H-8041

AUTOLAVEUSE À PLANCHER COMPACTE

1 800 295-5510
uline.ca

Liste des pièces du châssis suite

#	DESCRIPTION	QTÉ	RÉF. ULINE	RÉF. DU FABRICANT
18	Ressort	1	-----	T80271
19	Support de poignée	1	-----	T80271
20	Ensemble de carte électronique	1	H-8041-KCPPB	KTRIO4748
21	Bouton-poussoir de câblage CT45 C	1	-----	MECB01324
22	Câblage	1	-----	T80269
23	Poignée avant de carter 15-30-45	1	-----	T80267
24	Vis TC 4 x 12 ZN	1	H-8694*	-----
25	Rondelle 4-16 INOX A2	1	H-8694*	-----
26	Goupille	1	H-8694*	-----
27	Câble de levage de la raclette CT15-30	1	H-8694*	-----
28	Levage de levier de la raclette PP	1	H-8041-LSLPP	MPVR49942
29	Vis TC 6 x 12	1	H-8694*	-----
30	Châssis	1	-----	LAFN08895
31	Bague	2	H-8695*	-----
32	Roue grise D.250 CT15-30-45	2	H-8695*	-----
33	Rondelle D. 8 x 24 ZC.	2	H-8695*	-----
34	Vis TE 8 x 16 UNI 5739	2	H-8695*	-----
35	Raccord	1	H-8696*	-----
36	Ensemble de filtre	1	H-8696*	-----
37	Raccord	1	H-8696*	-----
38	Tube	1	-----	T80275
39	Tuyau de raccordement 1/8 po D.7	1	-----	T80275
40	Raccord – Structure	1	-----	T80275
41	Électrovanne	1	H-8041-SVALV	PMVR01883
42	Écrou M4 ATB A2	2	-----	T80276
43	Raccord – Structure	1	-----	T80275
44	Raccord – Tuyau 1/8 po D.7	1	-----	T80275
45	Tube – Structure	1	-----	T80275
46	Vis TCTC 4 x 16	2	-----	T80276
47	Protection – Électrovanne	1	-----	T80276
48	Étiquette adhésive – Levier d'entraînement	1	-----	T80270
49	Étiquette adhésive – Levier d'entraînement	1	-----	T80270
50	Étiquette adhésive – Levier avant	1	-----	T80267
51	Crochet	1	-----	LAFN11049
	Ensemble de câbles de raclette (non illustré) Comprend : <ul style="list-style-type: none"> • Vis TC 4 x 12 ZN n° 24 (1) • Rondelle 4-16 INOX A2 n° 25 (1) • Goupille n° 26 (1) • Raclette à levage par câble CT15-30 n° 27 (1) • Vis TC 6 x 12 n° 29 (1) 	1	H-8694	T80272

*Pièce d'un ensemble.

ULINE H-8041

AUTOLAVEUSE À PLANCHER COMPACTE

1 800 295-5510
uline.ca

Liste des pièces du châssis suite

#	DESCRIPTION	QTÉ	RÉF. ULINE	RÉF. DU FABRICANT
	Ensemble de roue (non illustré) Comprend : <ul style="list-style-type: none"> • Bague n° 31 (2) • Roue grise D.250 CT15-30-45 n° 32 (2) • Rondelle D. 8 x 24 ZC. n° 33 (2) • Vis TE 8 x 16 UNI 5739 n° 34 (2) 	1	H-8695	T80273
	Ensemble de filtre à eau (non illustré) Comprend : <ul style="list-style-type: none"> • Raccord n° 35 (1) • Ensemble de filtre n° 36 (1) • Raccord n° 37 (1) 	1	H-8696	T80274
	Ensemble de couvercle de la base Comprend : <ul style="list-style-type: none"> • Vis 4, 8 x 19 n° 1 (14) • Carter n° 2 (1) • Étiquette de tableau de bord CT15-30-45 ECO n° 13 (1) • Poignée avant du carter 15-30-45 n° 23 (1) • Étiquette adhésive – Levier avant n° 50 (1) 	1	H-9424-HNDL	T80267
	Ensemble de couvercle de la base du poignée Comprend : <ul style="list-style-type: none"> • Vis TBCE ISO 7380 8 x 22 ZB n° 4 (4) • Coque DX n° 5 (1) • Écrou M8 BASSO n° 6 (4) • Couvercle n° 7 (2) • Coque SX n° 9 (1) 	1	H-8041-HNMT	T80268
	Ensemble de câble plat Comprend : <ul style="list-style-type: none"> • Guide-câble n° 8 (1) • Câblage n° 22 (1) 	1	H-9424-FCABL	T80269
	Ensemble de poignée à gâchette Comprend : <ul style="list-style-type: none"> • Levier DX n° 10 (1) • Levier SX n° 12 (1) • Ressort n° 14 (4) • Étiquette adhésive – Levier d'entraînement n° 48 (1) • Étiquette adhésive – Levier d'entraînement n° 49 (1) 	1	-----	T80270
	Ensemble de poignée d'ajustement Comprend : <ul style="list-style-type: none"> • Levier d'ajustement n° 16 (1) • Tige de levier n° 17 (0) • Spring #18 (1) • Handle Support #19 (1) 	1	H-9424-HANDL	T80271
	Ensemble de la ligne de solution Comprend : <ul style="list-style-type: none"> • Tube n° 38 (1) • Tuyau de raccordement 1/8 po D.7 n° 39 (1) • Raccord – Cadre n° 40 (1) • Raccord – Cadre n° 43 (1) • Tuyau de raccordement 1/8 po D.7 n° 44 (1) • Tube - Cadre n° 45 (1) 	1	H-8041-CF	T80275
	Ensemble de l'électrovanne Comprend : <ul style="list-style-type: none"> • Écrou M4 ATB A2 n° 42 (2) • Vis TCTC 4 x 16 n° 46 (2) • Protection - Électrovanne n° 47 (1) 	1	-----	T80276